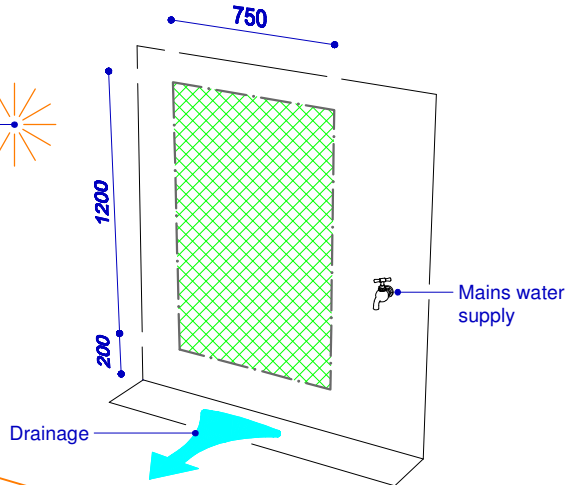


Installation Guidelines

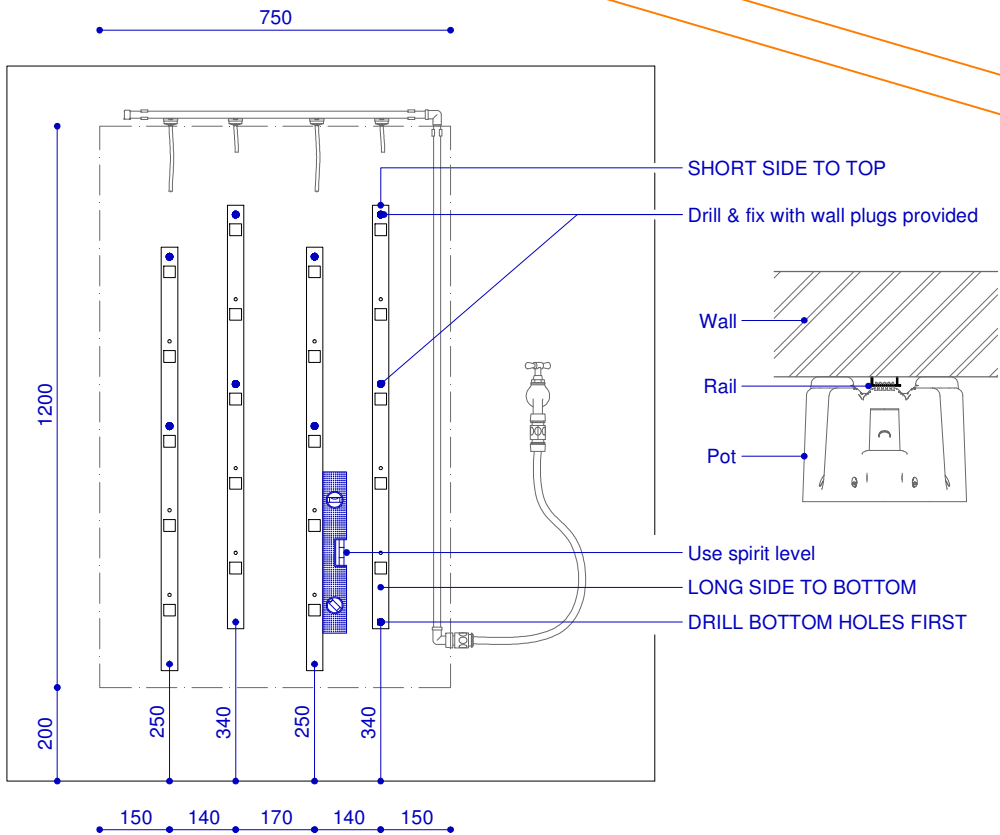
(A) Garden Positioning

Identify a 1200mm x 750mm area on a wall that receives good sunlight

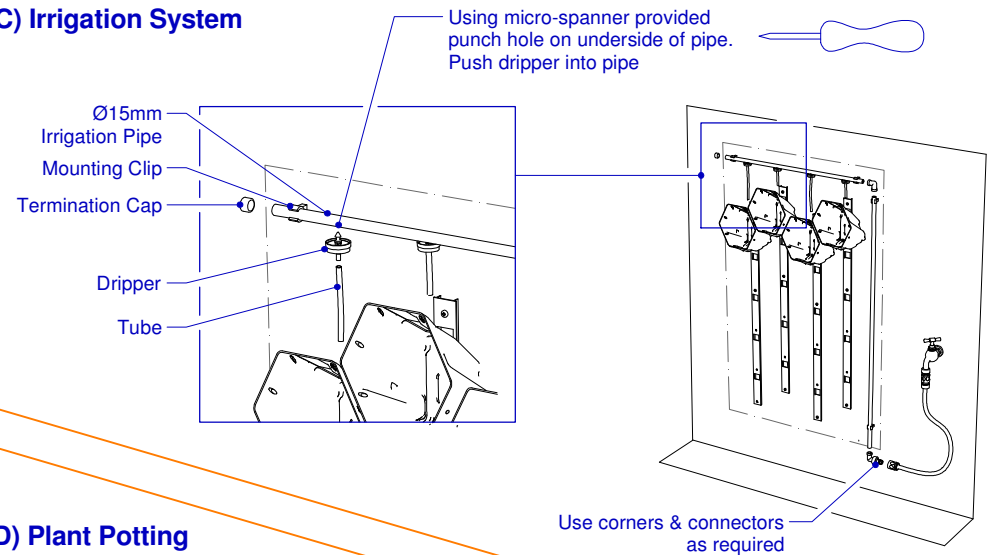
Further information and video links are available online at: <http://www.modularverticalgarden.com>



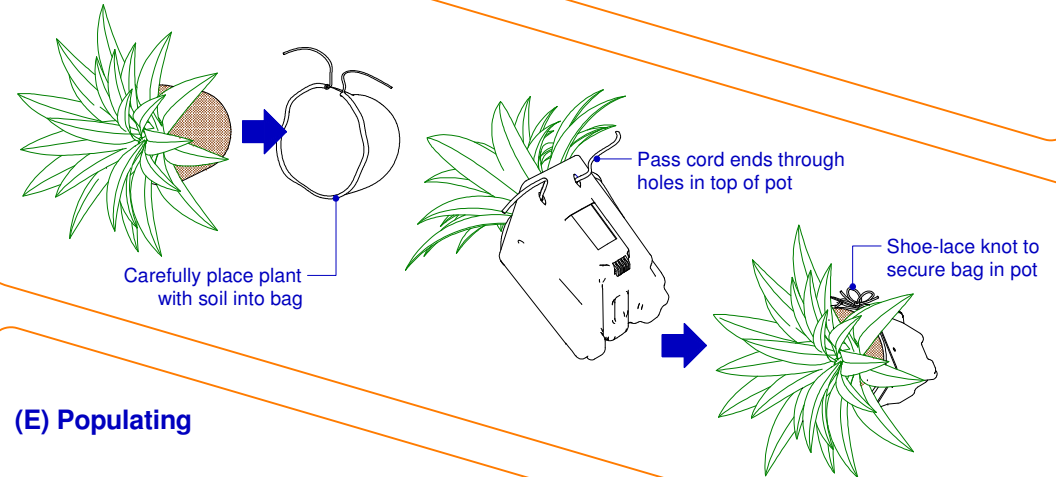
(B) Rail Fixing



(C) Irrigation System



(D) Plant Potting



(E) Populating

