

2

1

278EP9DS-36-16

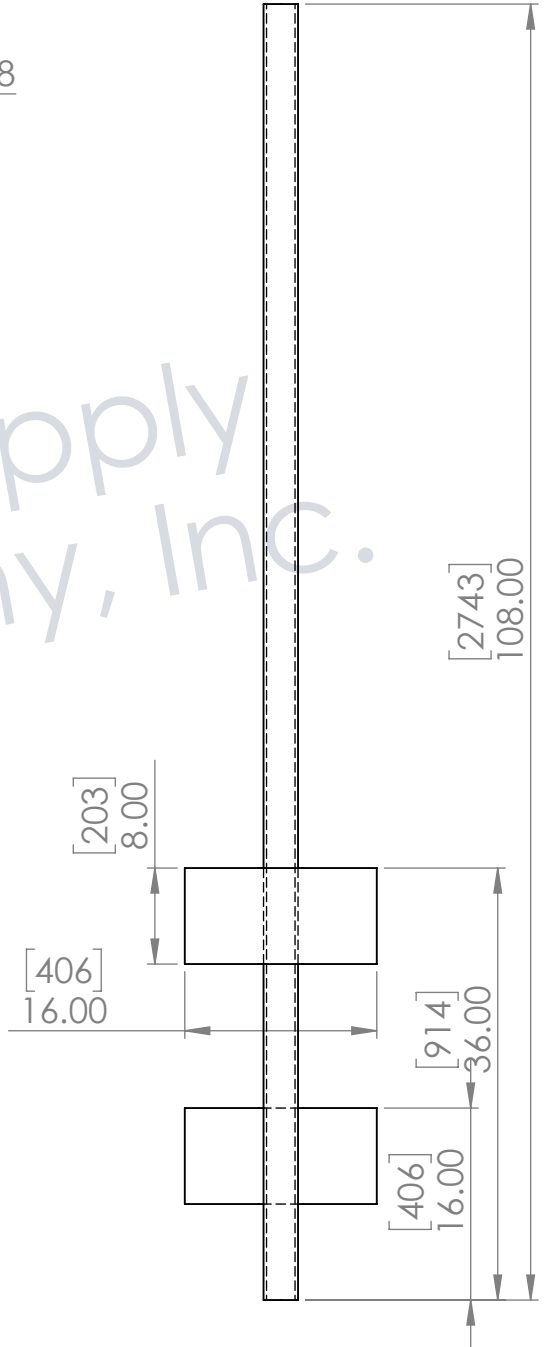
B

B

Jim's Supply Company, Inc.



SPADES ON OPPOSITE SIDES



A

A

Approved by:

Date

TITLE:

Proposed Stakes

CUSTOMER

INSTALL REPRESENTATIVE

JIM'S SUPPLY COMPANY, INC. SALES REPRESENTATIVE

JIM'S SUPPLY COMPANY, INC. PRODUCTION

SIZE

A

DWG. NO.

Chilean Proposed Parts

REV

0

SCALE: 1:16 WEIGHT: 81.22

SHEET 1 OF 8

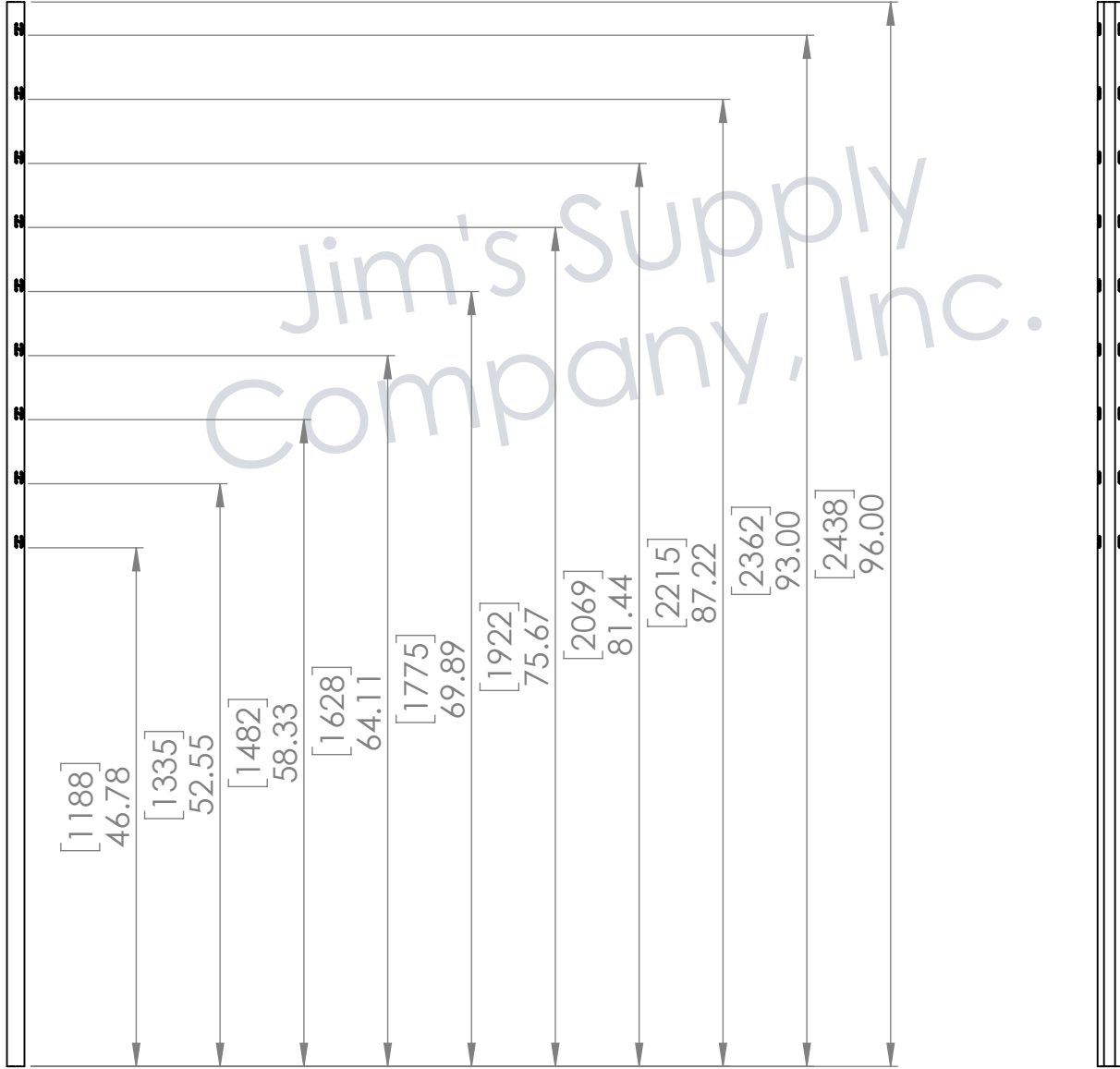
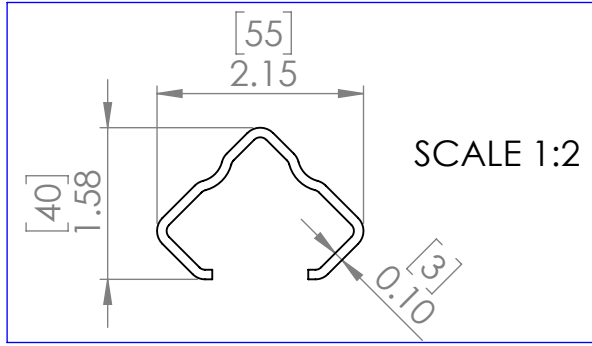
2

1

2

1

100HRSSG96-9
LENGTH DIMS ±1/4"



B

B

A

A

2

1

Approved by:

Date

CUSTOMER

INSTALL REPRESENTATIVE

JIM'S SUPPLY COMPANY, INC. SALES REPRESENTATIVE

JIM'S SUPPLY COMPANY, INC. PRODUCTION

TITLE:

Proposed Stakes

SIZE

DWG. NO.

REV

A

Chilean Proposed Parts

0

SCALE: 1:16 WEIGHT: 11.871

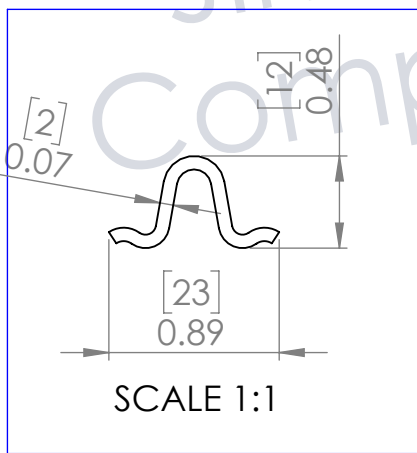
SHEET 5 OF 8

2

1

B

B



[2134]
84.00

071GVT84
LENGTH $\pm 3/8"$

A

A

Approved by:		Date		TITLE: Proposed Stakes		
CUSTOMER						
INSTALL REPRESENTATIVE						
JIM'S SUPPLY COMPANY, INC. SALES REPRESENTATIVE						
JIM'S SUPPLY COMPANY, INC. PRODUCTION		SIZE A	DWG. NO. Chilean Proposed Parts	REV 0		
		SCALE: 1:12	WEIGHT:	SHEET 8 OF 8		

2

1