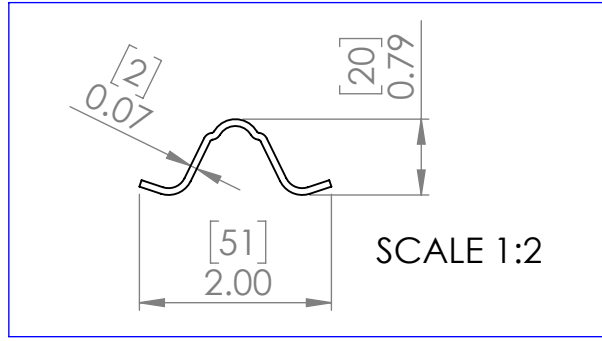


2

1



B

B

Jim's Supply
Company, Inc.

[2286]
90.00

A

A

Approved by:

Date

CUSTOMER

INSTALL REPRESENTATIVE

JIM'S SUPPLY COMPANY, INC. SALES REPRESENTATIVE

JIM'S SUPPLY COMPANY, INC. PRODUCTION

TITLE:

Proposed Stakes

SIZE

A

DWG. NO.

Chilean Proposed Parts

REV

0

SCALE: 1:16 WEIGHT:

SHEET 6 OF 8

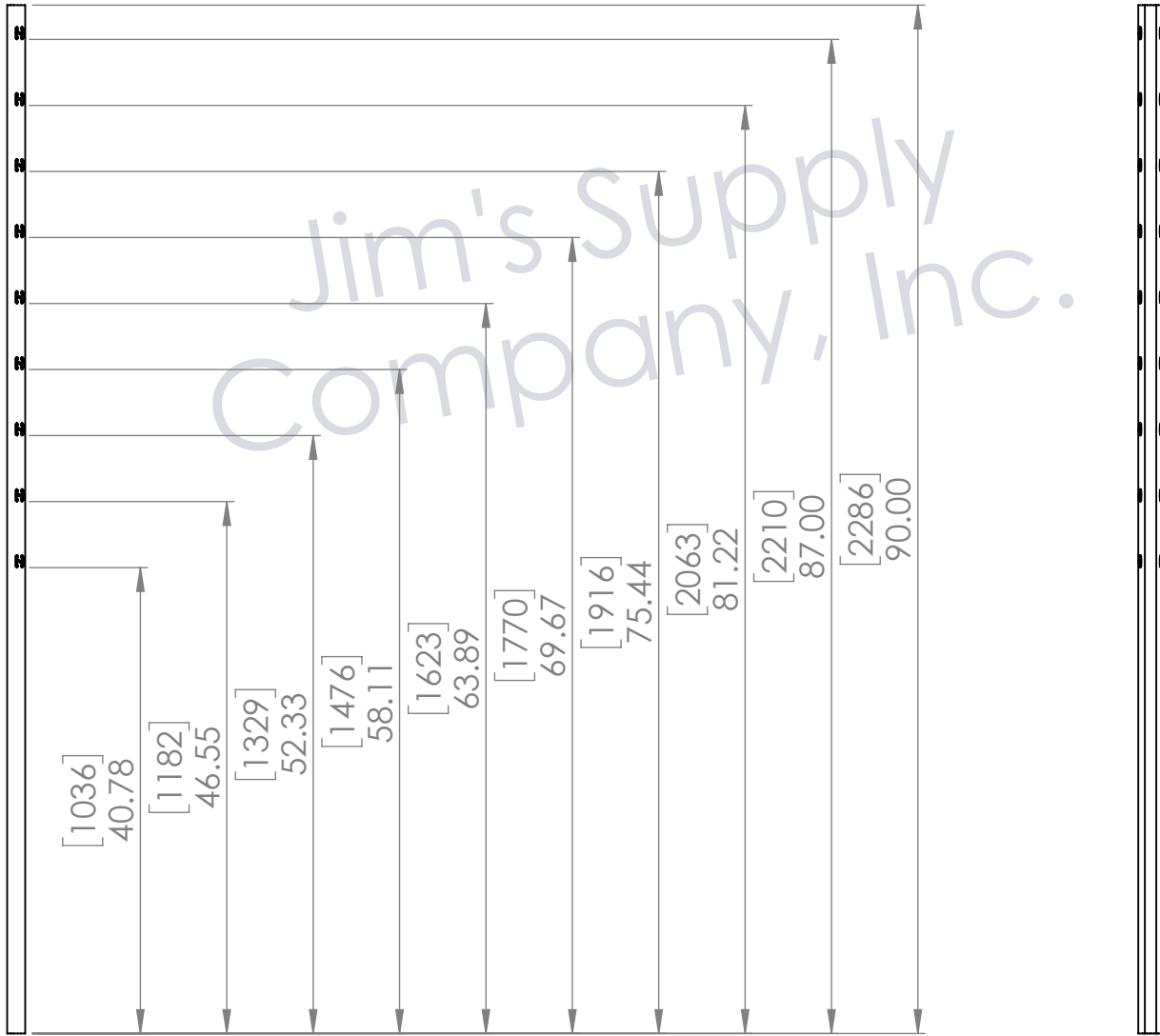
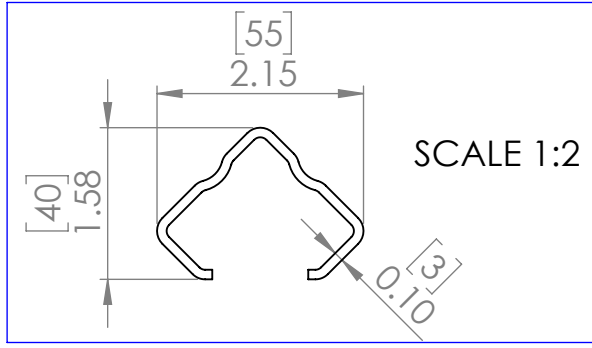
2

1

2

1

100GSSG90-9
LENGTH DIMS ±1/4"



B

B

A

A

Approved by:

Date

CUSTOMER

INSTALL REPRESENTATIVE

JIM'S SUPPLY COMPANY, INC. SALES REPRESENTATIVE

JIM'S SUPPLY COMPANY, INC. PRODUCTION

TITLE:

Proposed Stakes

SIZE

DWG. NO.

REV

A

Chilean Proposed Parts

0

SCALE: 1:16

WEIGHT: 11.110

SHEET 5 OF 9

2

1

2

1

278EP9DS-36-16

B

B

Jim's Supply Company, Inc.

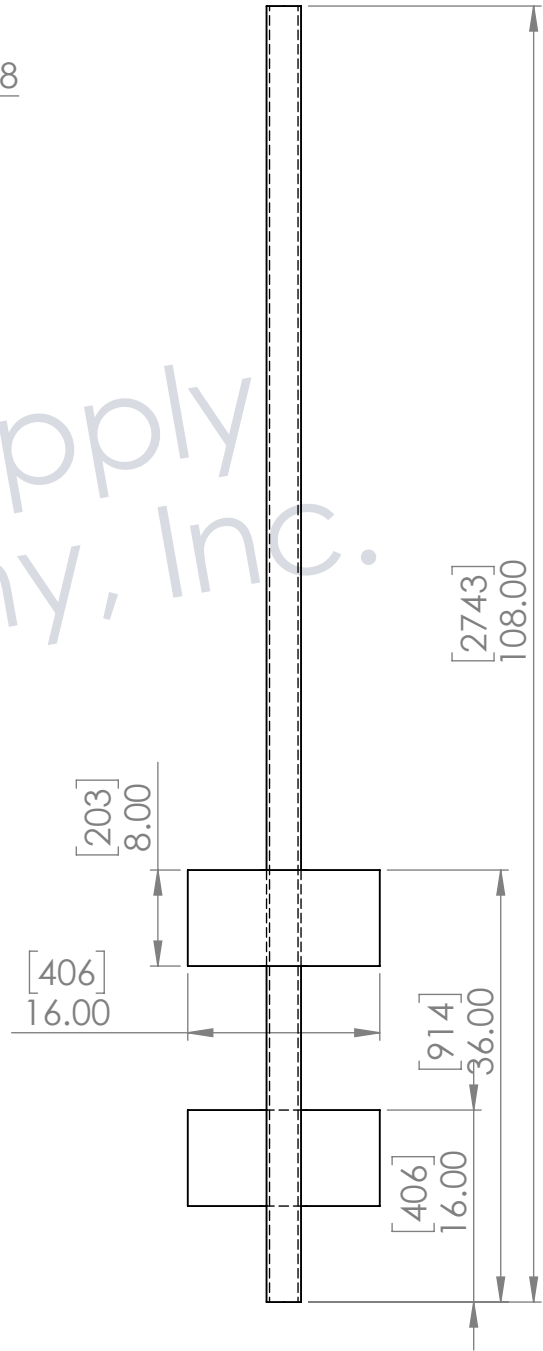


A

A



SPADES ON OPPOSITE SIDES



Approved by:

Date

CUSTOMER

INSTALL REPRESENTATIVE

JIM'S SUPPLY COMPANY, INC. SALES REPRESENTATIVE

JIM'S SUPPLY COMPANY, INC. PRODUCTION

TITLE:

Proposed Stakes

SIZE

A

DWG. NO.

Chilean Proposed Parts

REV

0

SCALE: 1:16 WEIGHT: 81.22

SHEET 1 OF 8

2

1