



**Part Number: M-16600-BG / M-16600-BM**  
**Part Description: 2022+ BRONCO RAPTOR**  
**CARBON APPEARANCE KIT**

NO PART OF THIS DOCUMENT MAY BE REPRODUCED WITHOUT PRIOR AGREEMENT AND WRITTEN PERMISSION OF FORD PERFORMANCE PARTS.

Please visit [www.performanceparts.ford.com](http://www.performanceparts.ford.com) for the most current instruction information

**!!! PLEASE READ ALL OF THE FOLLOWING INSTRUCTIONS CAREFULLY PRIOR TO INSTALLATION.**

**AT ANY TIME YOU DO NOT UNDERSTAND THE INSTRUCTIONS, PLEASE CALL THE FORD PERFORMANCE TECHLINE AT 1-800-367-3788 !!!**



**Hood Vent Kit:**

<b>Quantity</b>	<b>Part Name</b>
1	Hood Vent
2	Raptor Emblem
4	Emblem Fastener
20	Hood Vent Trim Pin
4	Hood Vent T-Stud
4	Hood Vent Nut

Ford Factory Shop Manual purchase options [www.motorcraftservice.com](http://www.motorcraftservice.com)

NO PART OF THIS DOCUMENT MAY BE REPRODUCED WITHOUT PRIOR AGREEMENT AND WRITTEN PERMISSION OF FORD PERFORMANCE PARTS.

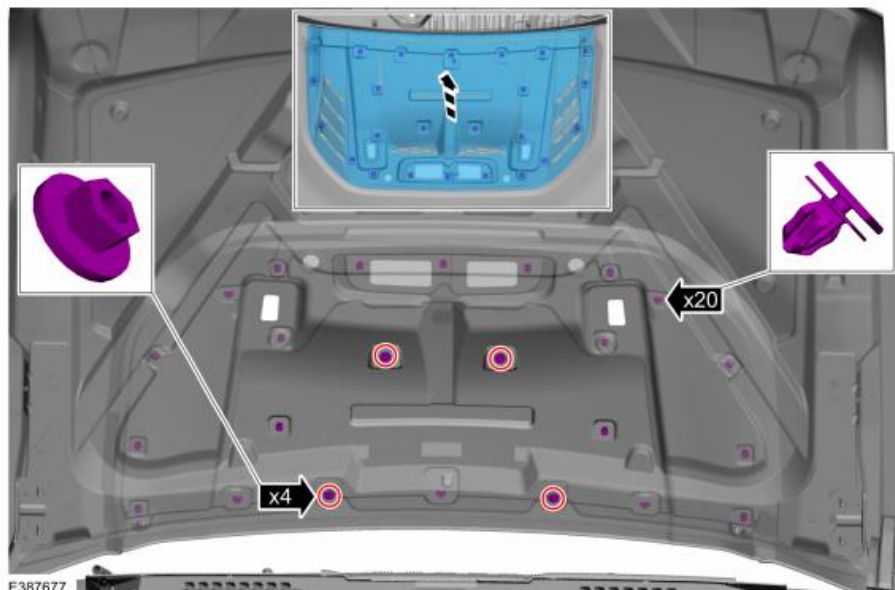
**NOTE:** Removal steps in this procedure may contain installation details.

Step 1: Open the hood to gain access to the under hood insulation.

Step 2: Remove the bolt, (14) retainers, and the hood insulation. *Torque:* 80 lb.in (9 Nm)



Step 3: Remove the nuts, the trim pins and the hood scoop. Remove any remaining 2 sided tape from the hood surface by rolling off with thumbs.



NO PART OF THIS DOCUMENT MAY BE REPRODUCED WITHOUT PRIOR AGREEMENT AND WRITTEN PERMISSION OF FORD PERFORMANCE PARTS.

Step 4: Install (20) hood vent trim pins into the carbon fiber hood vent in the locations noted in Step 3 by clipping them into position.



Step 5: Install (4) hood vent T-Studs into the carbon fiber hood vent in the locations noted in Step 3 by clipping them into position.





NO PART OF THIS DOCUMENT MAY BE REPRODUCED WITHOUT PRIOR AGREEMENT AND WRITTEN PERMISSION OF FORD PERFORMANCE PARTS.

- Step 6: Install Raptor emblem into the carbon fiber hood vent by aligning the emblem with the provisions in the vent. Secure the emblem with (2) emblem fasteners on the rearward side and tighten.





FORD PERFORMANCE

**Part Number: M-16600-BG / M-16600-BM**  
**Part Description: 2022+ BRONCO RAPTOR**  
**CARBON APPEARANCE KIT**

NO PART OF THIS DOCUMENT MAY BE REPRODUCED WITHOUT PRIOR AGREEMENT AND WRITTEN PERMISSION OF FORD PERFORMANCE PARTS.

Step 7: Remove the protective backing from the installed double-sided tape and install the carbon fiber hood vent onto the hood.

**NOTE:** *Wipe the surface of the hood with rubbing Alcohol to clear any adhesive remaining.*

Step 8: To complete the install, reverse the removal procedure.



**Part Number: M-16600-BG / M-16600-BM**  
**Part Description: 2022+ BRONCO RAPTOR**  
**CARBON APPEARANCE KIT**

NO PART OF THIS DOCUMENT MAY BE REPRODUCED WITHOUT PRIOR AGREEMENT AND WRITTEN PERMISSION OF FORD PERFORMANCE PARTS.



**Front Fender Vent Kit:**

<b>Quantity</b>	<b>Part Name</b>
1	LH Fender Vent
1	RH Fender Vent
9	Vent Clip (W712427-S424)
3	Vent Clip (W716053-S424)

Ford Factory Shop Manual purchase options [www.motorcraftservice.com](http://www.motorcraftservice.com)

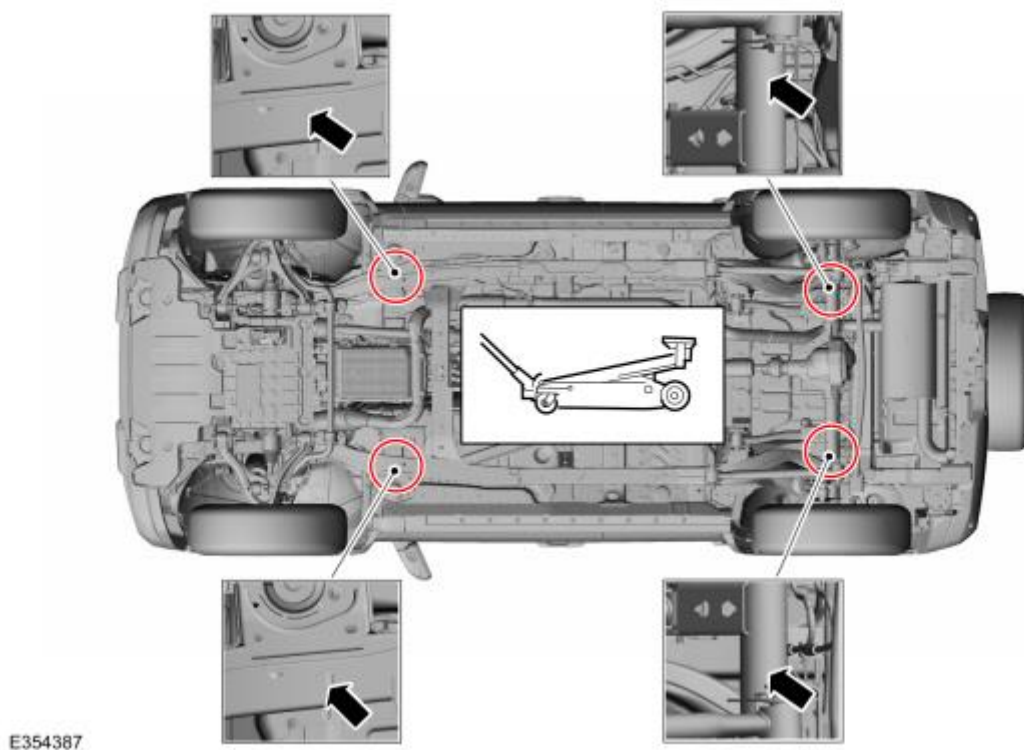
NO PART OF THIS DOCUMENT MAY BE REPRODUCED WITHOUT PRIOR AGREEMENT AND WRITTEN PERMISSION OF FORD PERFORMANCE PARTS.

**NOTE:** Removal steps in this procedure may contain installation details.

**NOTE:** LH side shown, RH side similar.

**Step 1:** With the vehicle in NEUTRAL, position it on a hoist.

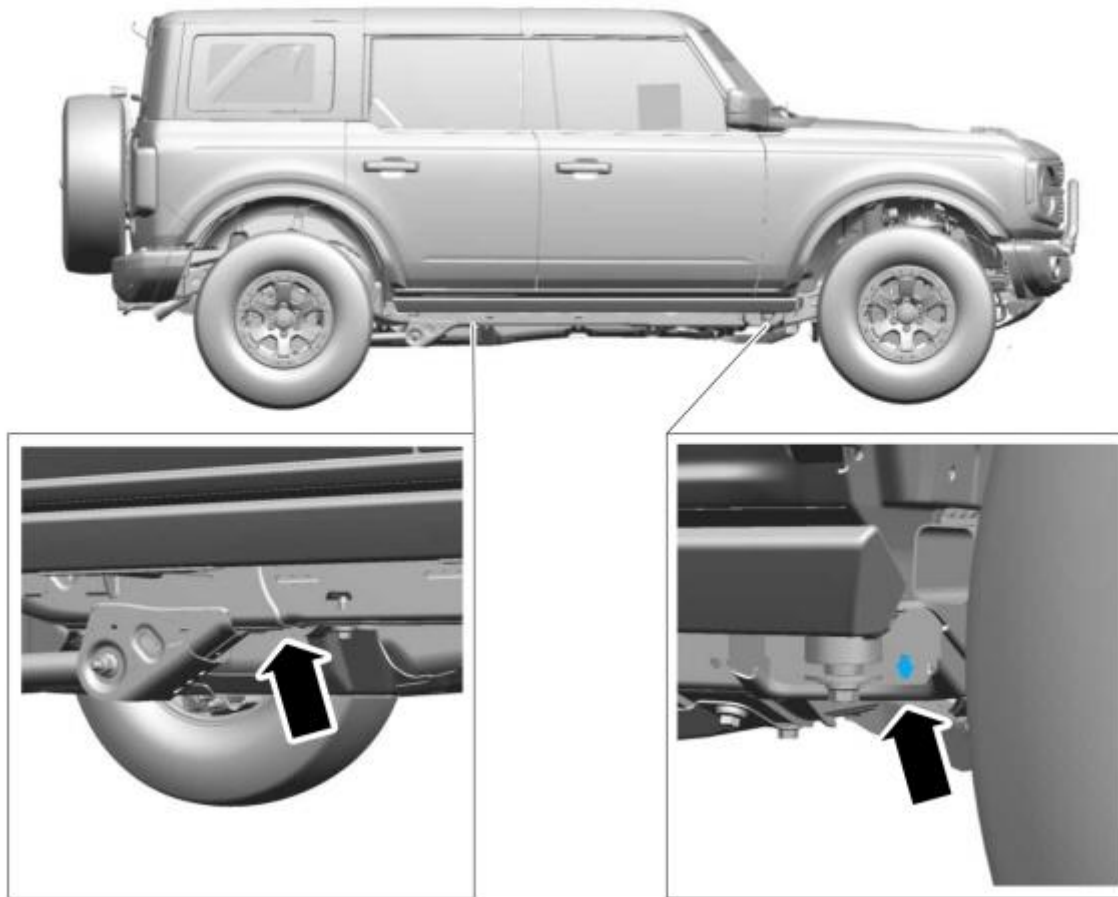
### Jacking Points



Only the specified jacking points may be used for jacking and supporting the vehicle.

NO PART OF THIS DOCUMENT MAY BE REPRODUCED WITHOUT PRIOR AGREEMENT AND WRITTEN PERMISSION OF FORD PERFORMANCE PARTS.

### Lifting Points



E348909

**NOTE:** *RH side shown, LH side similar.*

The lifting points for both the 2 and 4-door variants are aft of the front wheels on the chassis frame as indicated, and fore of the suspension rear trailing arm on the chassis frame.

**⚠ WARNING:** Before raising the vehicle on a hoist, make sure the hoist capacity is adequate for the vehicle weight, including any vehicle cargo or modifications. Always position the hoist lift arms as shown in section 100-02 of this manual. Do not use the engine to power the drive wheels unless all drive wheels are elevated off the ground. Incorrect hoist arm positioning or drive wheels in contact with the ground can cause unintended vehicle movement. Failure to follow these instructions may result in serious personal injury or death.





**Part Number: M-16600-BG / M-16600-BM**  
**Part Description: 2022+ BRONCO RAPTOR**  
**CARBON APPEARANCE KIT**

NO PART OF THIS DOCUMENT MAY BE REPRODUCED WITHOUT PRIOR AGREEMENT AND WRITTEN PERMISSION OF FORD PERFORMANCE PARTS.

**⚠ WARNING:** Position the hoist lift arms as shown in the illustration. Incorrect positioning could result in vehicle slipping or falling from the hoist. Failure to follow this instruction may result in serious personal injury.

**⚠ WARNING:** Never get underneath a vehicle that is supported only by a jack. The jack could unintentionally lower. Always support vehicle with floor stands. Failure to follow these instructions may result in serious personal injury.

**⚠ WARNING:** Identify the correct jacking points by locating the triangle stamped into the uni-body sheet metal or vehicle frame or molded into the body rocker moulding. Raising a vehicle in any other location may result in vehicle shifting or falling. Failure to follow this instruction may result in serious personal injury.

**⚠ WARNING:** Only raise the vehicle when positioned on a hard, level surface. Attempting to raise the vehicle on an uneven or soft surface may result in vehicle slipping or falling from the jack or jackstand. Failure to follow this instruction may result in serious personal injury.

**⚠ WARNING:** When jacking or lifting the vehicle, block all wheels remaining on the ground. Set the parking brake if the rear wheels will remain on the ground. These actions help prevent unintended vehicle movement. Failure to follow these instructions may result in serious personal injury.

**NOTICE:** The jack provided with the vehicle is intended to be used in an emergency for changing a deflated tire. To avoid damage to the vehicle, never use the jack to hoist the vehicle for any other purpose.

**NOTICE:** Do not attempt to jacking on the front bumper or the rear bumper on any vehicle. Damage to bumper covers will occur.

**NOTICE:** Do not attempt to jacking on the front control arm or rear control arm on any vehicle. Damage to control arms may occur.

**NOTICE:** Do not use the differential housing as a lift point. Leaks or damage to the rear axle cover and adjoining differential housing surface may occur if a floor jack or any lifting device is allowed to contact the cover at any point where the cover joins the housing.

**NOTICE:** Place blocks underneath the lifting points if a two-column hoist is used.



**Part Number: M-16600-BG / M-16600-BM**  
**Part Description: 2022+ BRONCO RAPTOR**  
**CARBON APPEARANCE KIT**

NO PART OF THIS DOCUMENT MAY BE REPRODUCED WITHOUT PRIOR AGREEMENT AND WRITTEN PERMISSION OF FORD PERFORMANCE PARTS.

**NOTICE:** Damage to the suspension, exhaust or steering linkage components may occur if care is not exercised when positioning the hoist adapters prior to lifting the vehicle.

**NOTICE:** To prevent possible damage to the underbody, do not drive the vehicle onto the drive-on lift without first checking for possible interference.

**NOTICE:** When raising a vehicle on a two-column hoist, use care when positioning the vehicle so that the hoisting forks do not interfere with suspension components, mounting brackets or stabilizer mounting brackets, if equipped. In addition, use care in hoist positioning to avoid possible damage to the axle or rear cover.

**Step 2:** Remove the wheel nuts. Remove the LH & RH front wheel and tire.

**NOTICE:** Do not use heat to loosen a seized wheel nut.

**NOTICE:** Do not use power tools on locking wheel nuts.

**NOTE:** Use metric hexagonal socket.

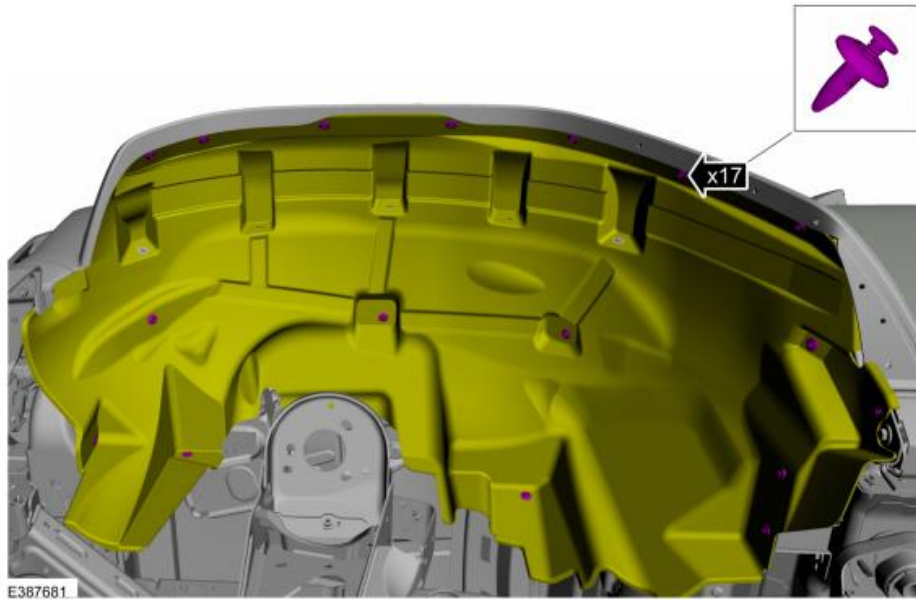


E351488

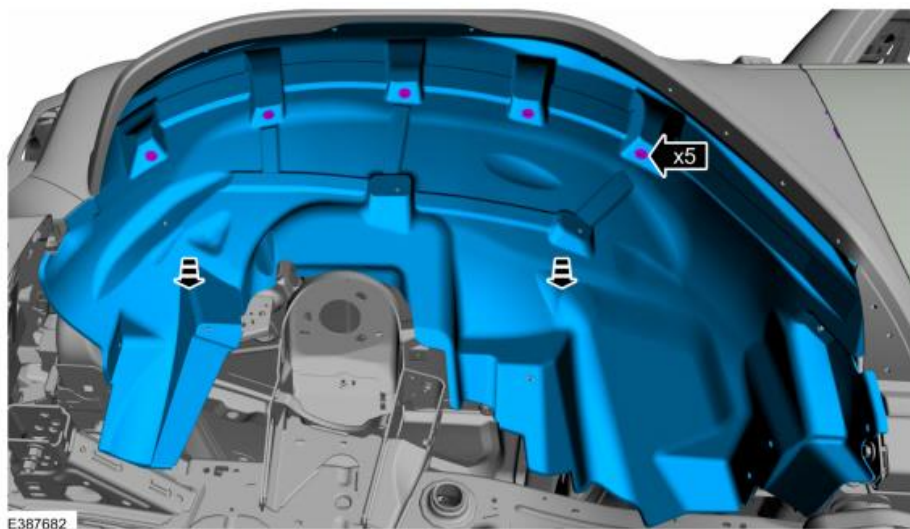
Ford Factory Shop Manual purchase options [www.motorcraftservice.com](http://www.motorcraftservice.com)

NO PART OF THIS DOCUMENT MAY BE REPRODUCED WITHOUT PRIOR AGREEMENT AND WRITTEN PERMISSION OF FORD PERFORMANCE PARTS.

**Step 3:** Remove the fender splash shields. Remove the trim pins.



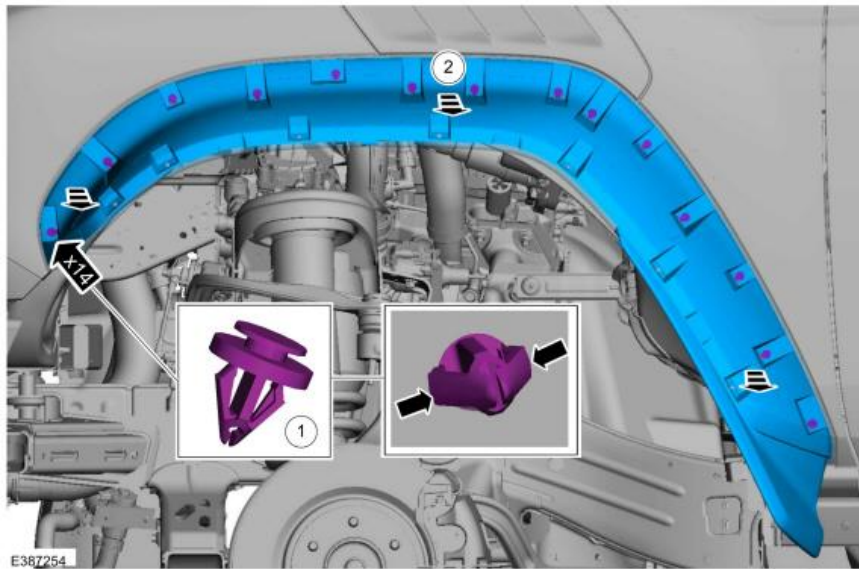
**Step 4:** Remove the screws and the fender splash shield. *Torque: 15 lb.in (1.7 Nm)*



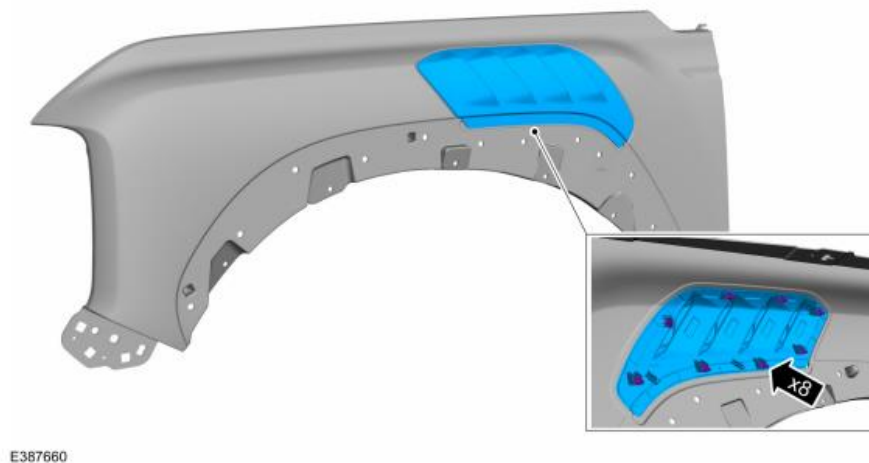
NO PART OF THIS DOCUMENT MAY BE REPRODUCED WITHOUT PRIOR AGREEMENT AND WRITTEN PERMISSION OF FORD PERFORMANCE PARTS.

**Step 5:** Remove the front fender flare.

1. Press the lugs and release the pushpins from fender.
2. Remove the front fender flare.



**Step 6:** Remove the vent clips and the fender vent.





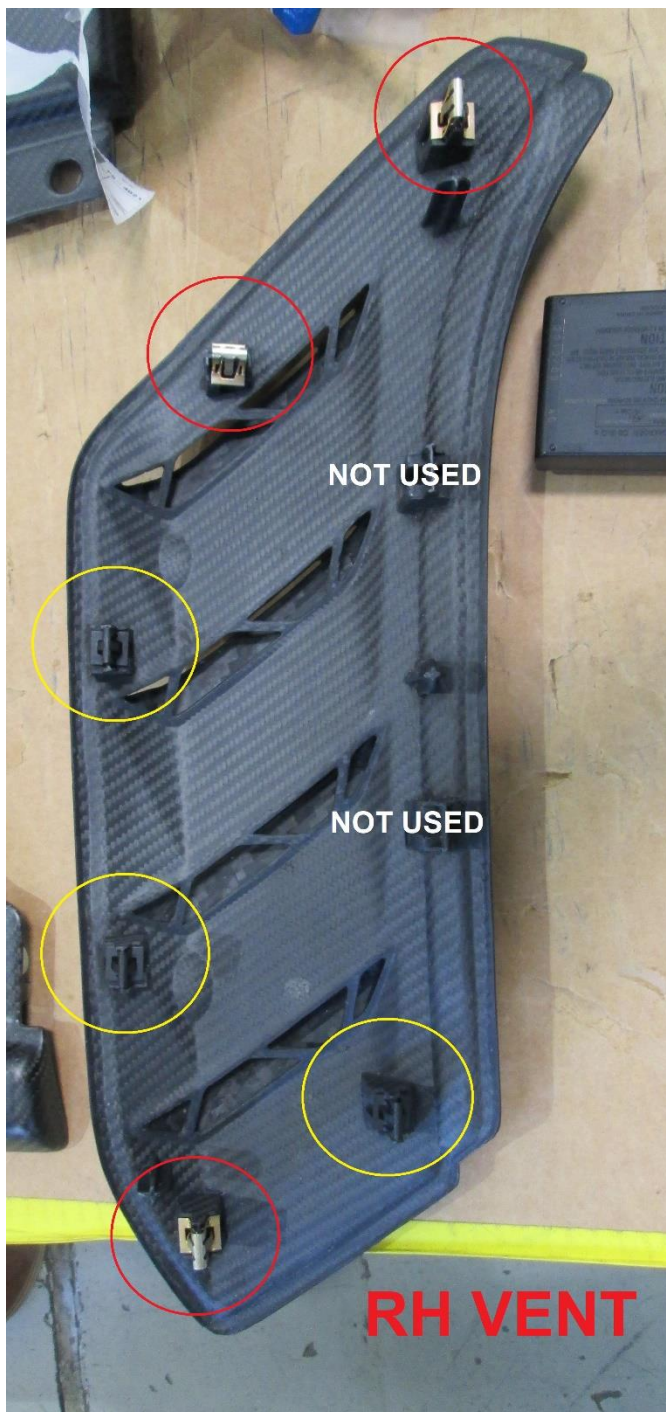
NO PART OF THIS DOCUMENT MAY BE REPRODUCED WITHOUT PRIOR AGREEMENT AND WRITTEN PERMISSION OF FORD PERFORMANCE PARTS.

**Step 7:** Install (6) vent clips on the LH carbon fiber vent – Part number W712427-S424 as shown below in **RED**.



NO PART OF THIS DOCUMENT MAY BE REPRODUCED WITHOUT PRIOR AGREEMENT AND WRITTEN PERMISSION OF FORD PERFORMANCE PARTS.

**Step 8:** Install (3) vent clips on the RH carbon fiber vent – Part number W712427-S424 as shown below in **RED**. Then install (3) vent clips – Part number W716053-S424 as shown below in **YELLOW**.



Ford Factory Shop Manual purchase options [www.motorcraftservice.com](http://www.motorcraftservice.com)



FORD PERFORMANCE

**Part Number: M-16600-BG / M-16600-BM**  
**Part Description: 2022+ BRONCO RAPTOR**  
**CARBON APPEARANCE KIT**

NO PART OF THIS DOCUMENT MAY BE REPRODUCED WITHOUT PRIOR AGREEMENT AND WRITTEN PERMISSION OF FORD PERFORMANCE PARTS.

**Step 9:** To install the carbon fiber fender vents, reverse the removal procedure.

**NOTE:** *Carbon fiber fender vents will not sustain heavy force or weight, use minimal pressure during installation*



**Part Number: M-16600-BG / M-16600-BM**  
**Part Description: 2022+ BRONCO RAPTOR**  
**CARBON APPEARANCE KIT**

NO PART OF THIS DOCUMENT MAY BE REPRODUCED WITHOUT PRIOR AGREEMENT AND WRITTEN PERMISSION OF FORD PERFORMANCE PARTS.

**Front & Rear Fender Flare Kit:**



Quantity	Part Name
1	LH Fender Flare
1	RH Fender Flare
28	Flare Clip
14	Mud Flap Pin
1	LH Fender Flare
1	RH Fender Flare
1	LH Rear Door Flare
1	RH Rear Door Flare
42	Flare Clip (W722177-S300)
14	Mud Flap Pin (W715694-S300)
10	Door Flare Clip (W716352-S300)

Ford Factory Shop Manual purchase options [www.motorcraftservice.com](http://www.motorcraftservice.com)



NO PART OF THIS DOCUMENT MAY BE REPRODUCED WITHOUT PRIOR AGREEMENT AND WRITTEN PERMISSION OF FORD PERFORMANCE PARTS.

**Step 1:** Remove the (7) pin type retainers attaching the lower mud flap to the original fender flare.

**Step 2:** Attach the lower mud flap to the new carbon fiber fender flares using (7) of the provided pin type retainers.

**Step 3:** Install (14) of the provided flare retaining clips to the new carbon fiber front fender flare.



**Step 4:** To install the carbon fiber front fender flare, reverse the removal procedure.

**NOTE:** *When installing the carbon fiber fender flares, apply pressure to each area where a fastener is located until you hear/feel that fastener click into position. Simultaneously pull on the edge of the fender towards yourself while pressing on each fastener location once on the carbon fiber fender flare until you hear/feel a second click to ensure full fastener engagement.*

**Step 5:** Install the front fender splash shields.

**Step 6:** Install the front wheel and tire and install the wheel nuts.

**NOTE:** *Only tighten the nuts finger tight at this stage.*

**Step 7:** Remove the wheel nuts. Remove the LH & RH rear wheel and tire.

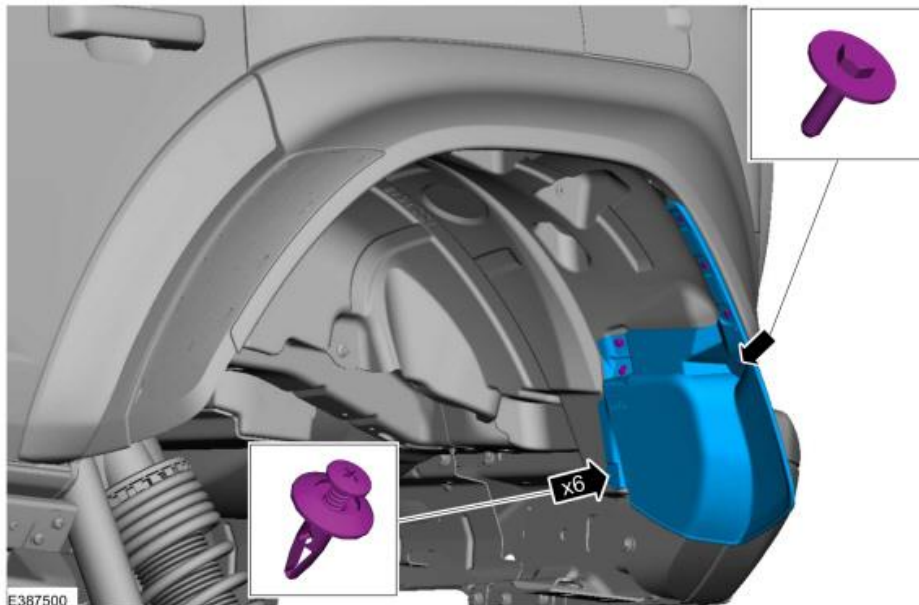
NO PART OF THIS DOCUMENT MAY BE REPRODUCED WITHOUT PRIOR AGREEMENT AND WRITTEN PERMISSION OF FORD PERFORMANCE PARTS.

**NOTICE:** Do not use heat to loosen a seized wheel nut.

**NOTICE:** Do not use power tools on locking wheel nuts.

**NOTE:** Use metric hexagonal socket.

**Step 8:** Remove the bolt and retainers and rear shield wheel splash.  
*Torque:* 15 lb.in (1.7 Nm)

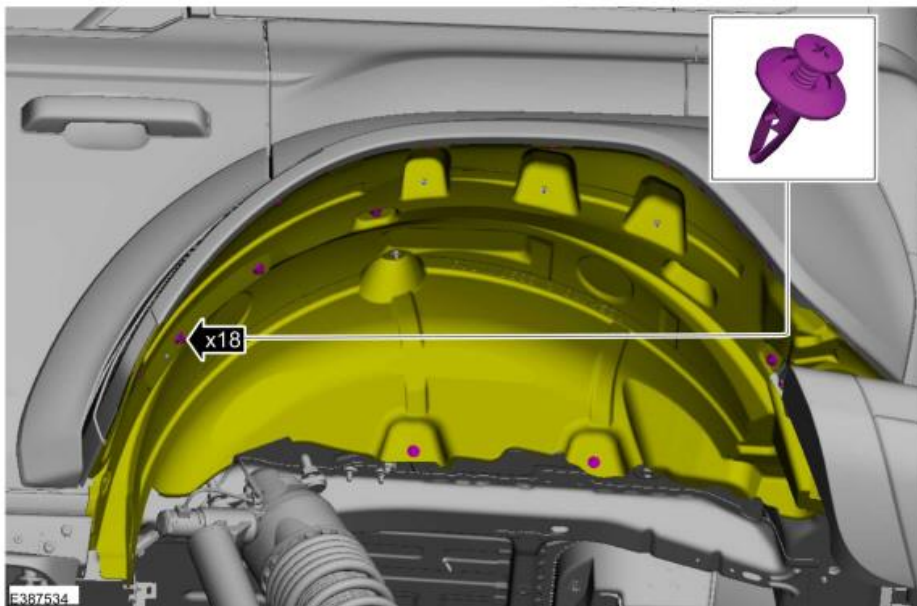


NO PART OF THIS DOCUMENT MAY BE REPRODUCED WITHOUT PRIOR AGREEMENT AND WRITTEN PERMISSION OF FORD PERFORMANCE PARTS.

**Step 9:** Remove the retainers.

**NOTE:** Removal steps in this procedure may contain installation details.

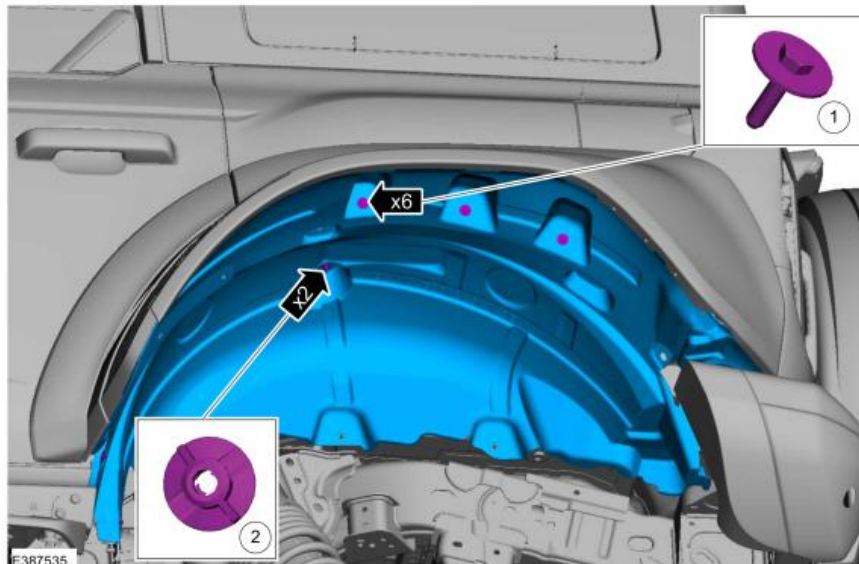
**NOTE:** LH side shown, RH side similar.



NO PART OF THIS DOCUMENT MAY BE REPRODUCED WITHOUT PRIOR AGREEMENT AND WRITTEN PERMISSION OF FORD PERFORMANCE PARTS.

**Step 10:** Remove the rear fender splash shield.

1. Remove the screws.  
*Torque: 15 lb.in (1.7 Nm)*
2. Remove the clips and rear fender splash shield.

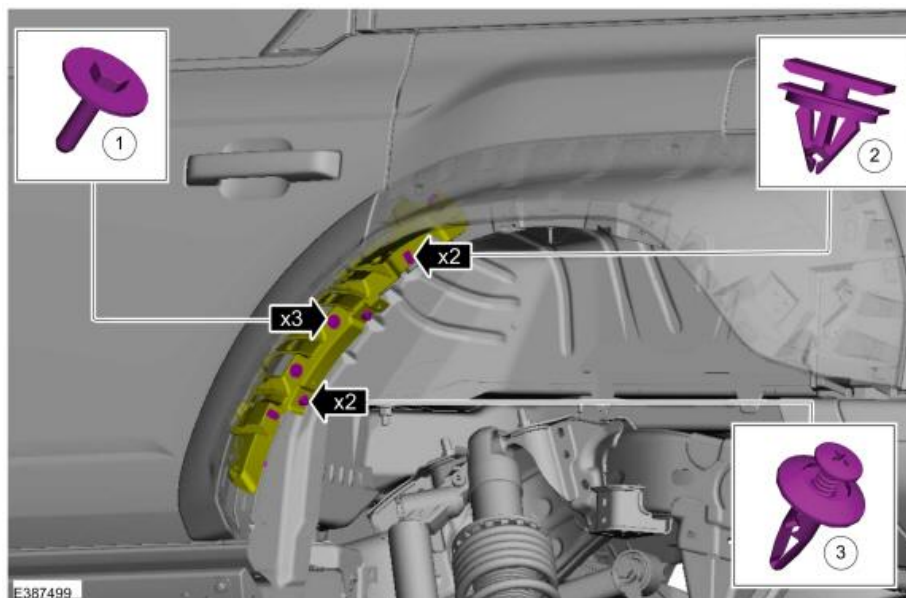




NO PART OF THIS DOCUMENT MAY BE REPRODUCED WITHOUT PRIOR AGREEMENT AND WRITTEN PERMISSION OF FORD PERFORMANCE PARTS.

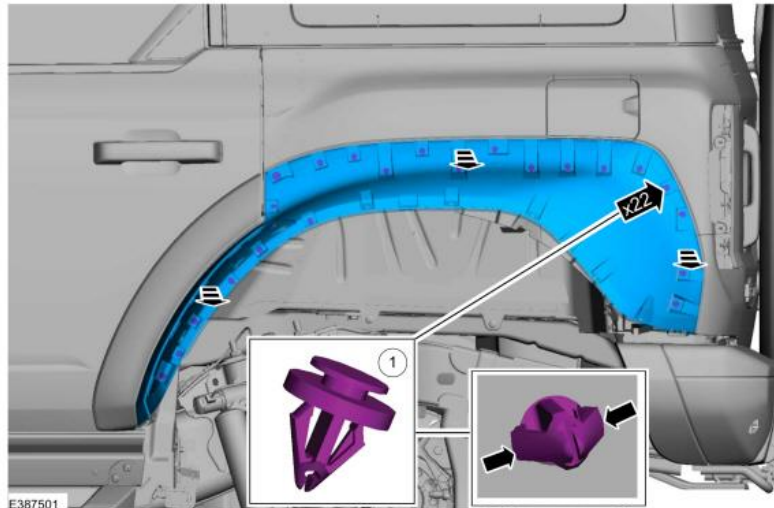
**Step 11:** Loosen the wheel molding bracket.

1. Remove the screws.  
*Torque: 97 lb.in (11 Nm)*
2. Press the lugs and release the push pin retainers from panel body.
3. Remove the retainers.



NO PART OF THIS DOCUMENT MAY BE REPRODUCED WITHOUT PRIOR AGREEMENT AND WRITTEN PERMISSION OF FORD PERFORMANCE PARTS.

**Step 12:** Remove the rear fender flare. Press the lugs and release pushpins from the quarter panel and remove the rear fender flare.



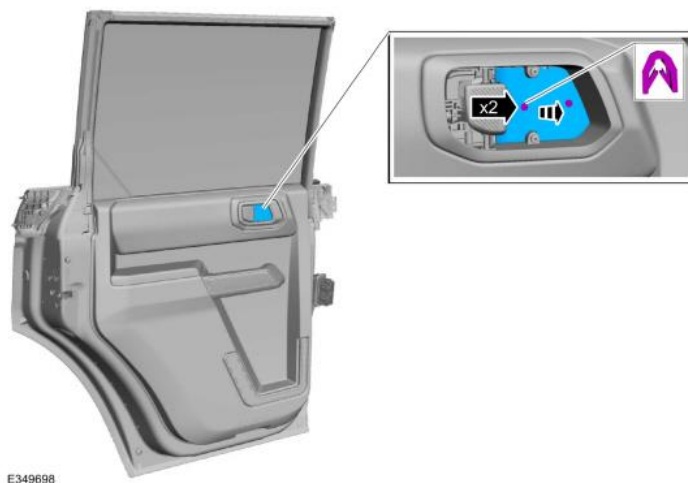
**Step 13:** Remove the LH side rear door trim.

**NOTE:** LH side shown, RH side similar.

**NOTE:** Removal steps in this procedure may contain installation details.

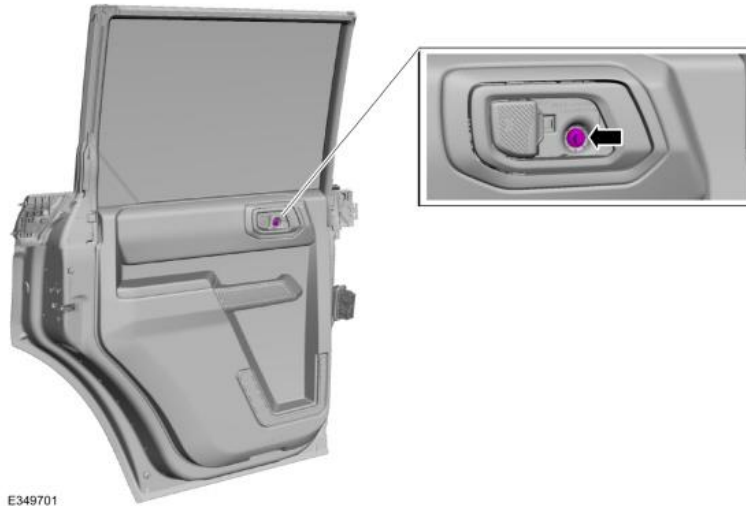
**NOTE:** Interior rear door handle removed for clarity.

Release the clips and remove the interior rear door handle bolt cover.  
Use the General Equipment: Pick Hook



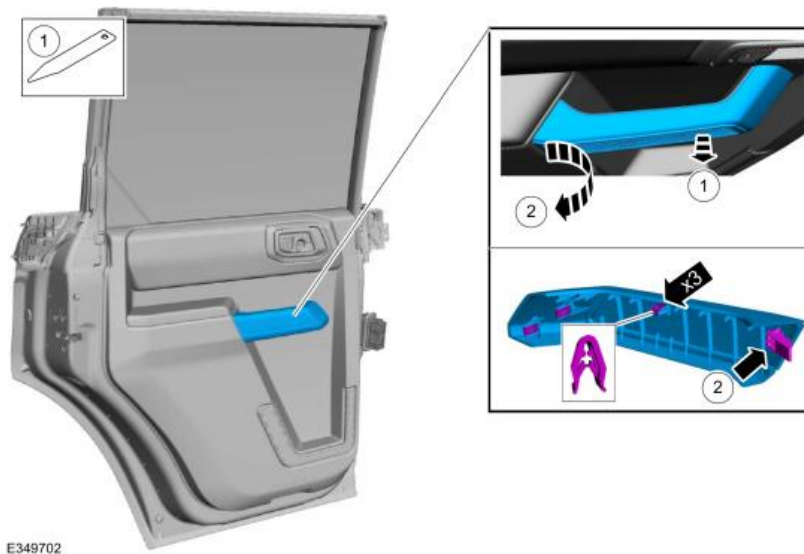
NO PART OF THIS DOCUMENT MAY BE REPRODUCED WITHOUT PRIOR AGREEMENT AND WRITTEN PERMISSION OF FORD PERFORMANCE PARTS.

**Step 14:** Remove the interior rear door handle bolt. *Torque: 36 lb.in (4.1 Nm)*



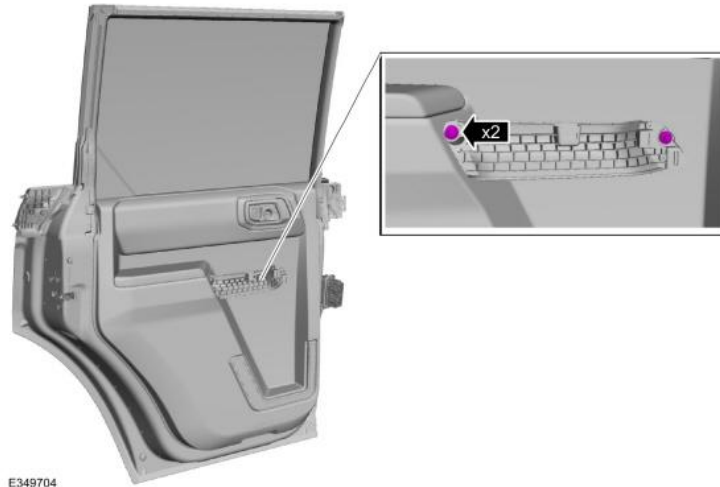
**Step 15:** Remove the rear door trim panel bolt cover.

1. Release the clips.  
Use the General Equipment: Interior Trim Remover
2. Release the rear tab.

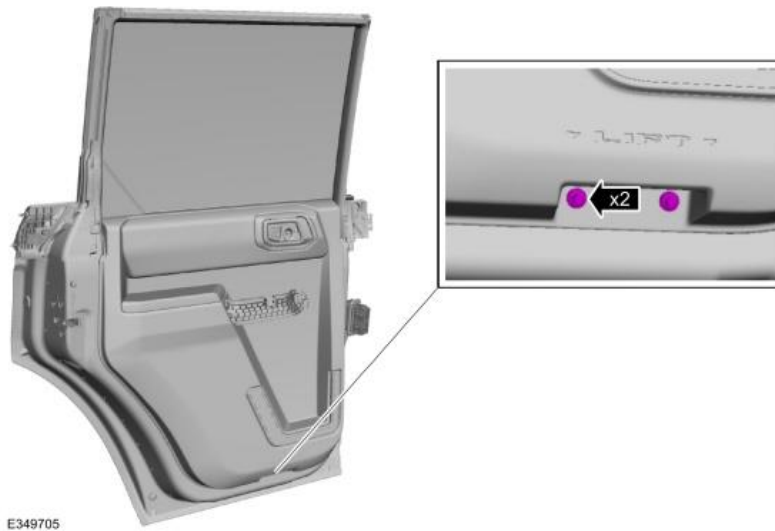


NO PART OF THIS DOCUMENT MAY BE REPRODUCED WITHOUT PRIOR AGREEMENT AND WRITTEN PERMISSION OF FORD PERFORMANCE PARTS.

**Step 16:** Remove the rear door trim panel bolts. *Torque: 36 lb.in (4.1 Nm)*



**Step 17:** Remove the rear door trim panel lower bolts. *Torque: 36 lb.in (4.1 Nm)*





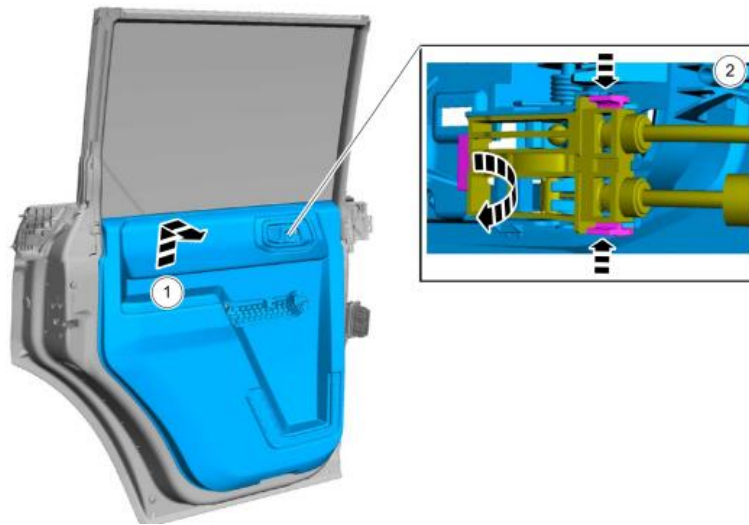


NO PART OF THIS DOCUMENT MAY BE REPRODUCED WITHOUT PRIOR AGREEMENT AND WRITTEN PERMISSION OF FORD PERFORMANCE PARTS.

**Step 19:** Remove the rear door trim panel.

1. Lift upward and outward on the rear door trim panel.
2. **NOTE:** *Follow the unique instructions or graphic for this step in installation.*

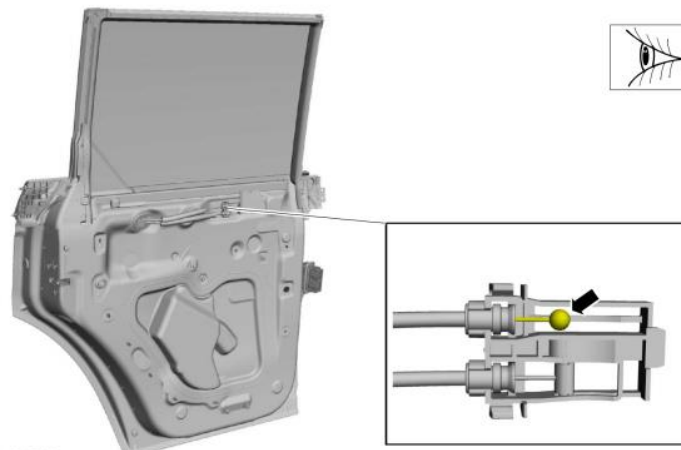
Release the tabs and position the interior rear door cable aside.



**Step 20:** To install, reverse the removal procedure.

**NOTICE:** The manual door lock cable must be in the locked position prior to reassembly or the door lock feature may not function correctly after installation.

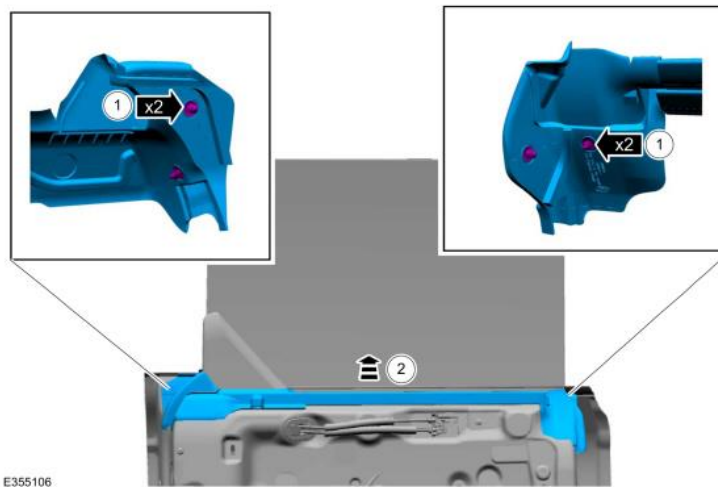
Verify that the manual lock cable is placed inward to the locked position.



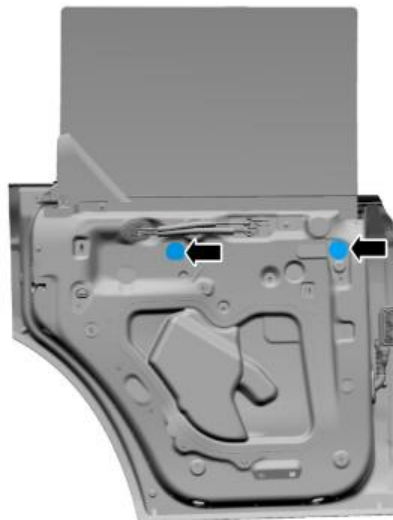
NO PART OF THIS DOCUMENT MAY BE REPRODUCED WITHOUT PRIOR AGREEMENT AND WRITTEN PERMISSION OF FORD PERFORMANCE PARTS.

**Step 21:** Remove the rear door window glass. Remove the rear door window glass inner belt moulding.

1. Release the retaining clips.
2. Remove the rear door window glass inner belt moulding.



**Step 22:** Remove the rear door window glass adhesive covers.

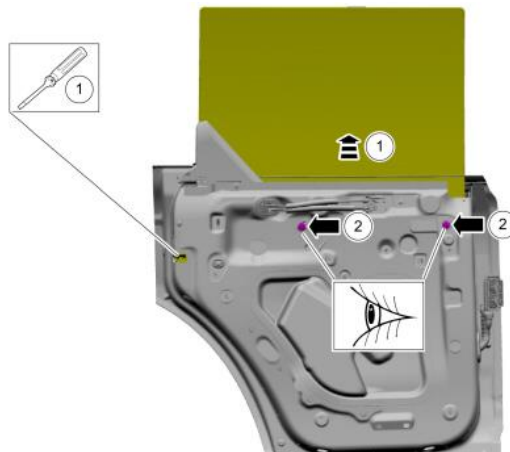


NO PART OF THIS DOCUMENT MAY BE REPRODUCED WITHOUT PRIOR AGREEMENT AND WRITTEN PERMISSION OF FORD PERFORMANCE PARTS.

**Step 23:** Raise and align the rear door window glass.

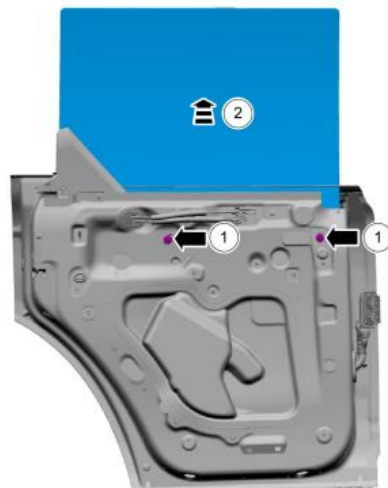
1. Position the rear door latch into the closed position and the rear door window glass will raise to the full up position  
Use the General Equipment: Flat Headed Screw Driver
2. Confirm the rear door window glass screws are aligned with the access openings.

**NOTICE:** Make sure to release the rear door latch to the open position before closing the rear door.  
Damage to the rear door latch may occur.



**Step 24:** Remove the rear door window glass.

1. Remove the bolts. *Torque:* 93 lb.in (10.5 Nm)
2. Remove the rear door window glass.



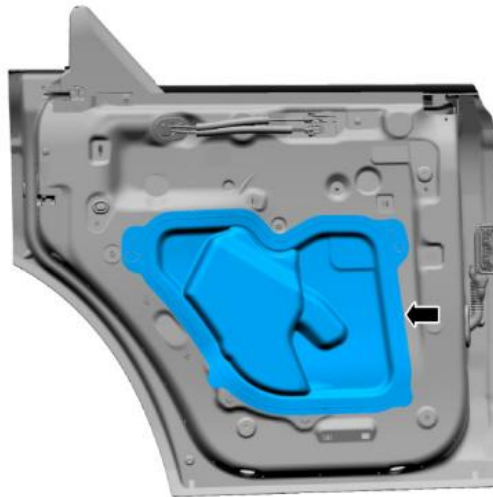
E355109

Ford Factory Shop Manual purchase options [www.motorcraftservice.com](http://www.motorcraftservice.com)



NO PART OF THIS DOCUMENT MAY BE REPRODUCED WITHOUT PRIOR AGREEMENT AND WRITTEN PERMISSION OF FORD PERFORMANCE PARTS.

**Step 25:** Remove the rear door watershield.



E355122

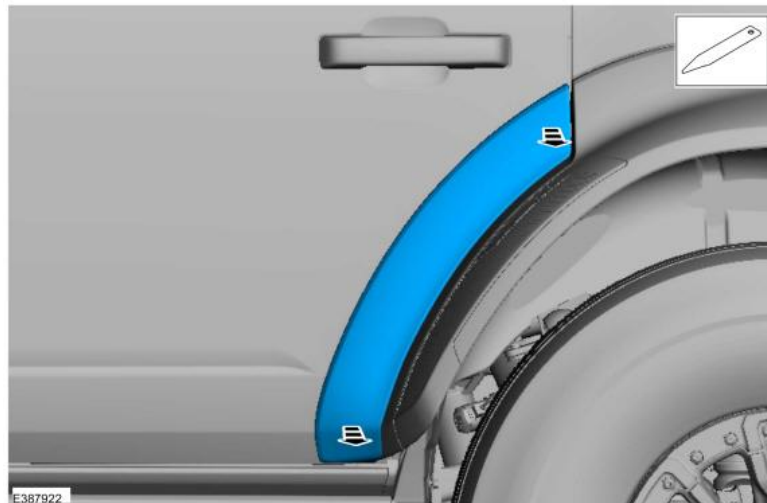
**Step 26:** Press the lugs from the interior of the door and release the retainers from the door.



E387921

NO PART OF THIS DOCUMENT MAY BE REPRODUCED WITHOUT PRIOR AGREEMENT AND WRITTEN PERMISSION OF FORD PERFORMANCE PARTS.

**Step 27:** Using the interior trim remover, pry and slowly allow tape to start release and remove the rear door flare.



**Step 28:** Remove any tape remaining on the door by rolling off with thumbs.

**NOTE:** *Not to use solvents to remove the tape or damage to the rear door flare*

**Step 29:** To install, remove the protective film from the 2 sided tape on your carbon fiber rear door flare and reverse the removal procedure.

**Step 30:** To install the carbon fiber rear flare, reverse the removal procedure.

**Step 31:** Install the rear fender splash shields.



**Part Number: M-16600-BG / M-16600-BM**  
**Part Description: 2022+ BRONCO RAPTOR**  
**CARBON APPEARANCE KIT**

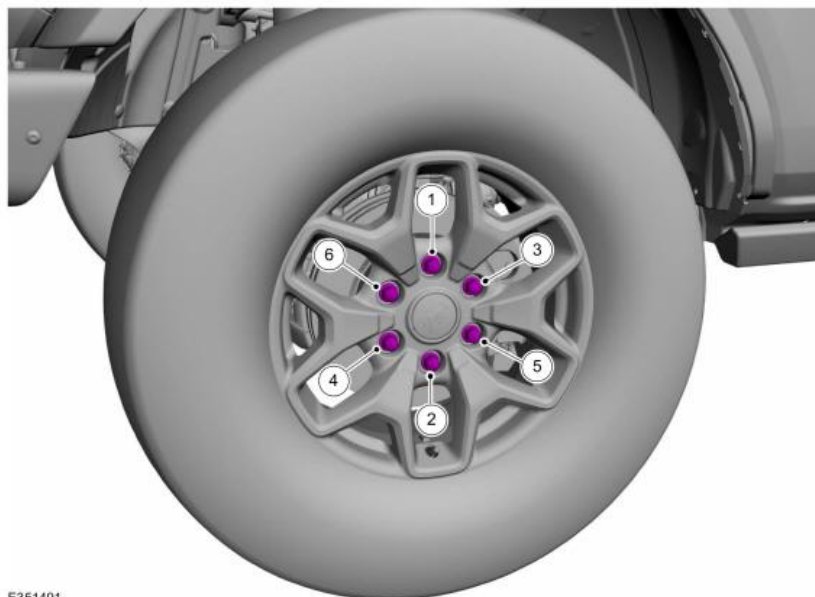
NO PART OF THIS DOCUMENT MAY BE REPRODUCED WITHOUT PRIOR AGREEMENT AND WRITTEN PERMISSION OF FORD PERFORMANCE PARTS.

**Step 32:** Install the wheels and tires and install the wheel nuts.

**NOTE:** *Only tighten the nuts finger tight at this stage.*



**Step 33:** Install the wheel nuts, torque all (4) wheels on vehicle. For Bronco Raptor (M14 Wheel Stud), tighten to 200 Nm (147.5 lb-ft).



Ford Factory Shop Manual purchase options [www.motorcraftservice.com](http://www.motorcraftservice.com)



**Part Number: M-16600-BG / M-16600-BM**  
**Part Description: 2022+ BRONCO RAPTOR**  
**CARBON APPEARANCE KIT**

NO PART OF THIS DOCUMENT MAY BE REPRODUCED WITHOUT PRIOR AGREEMENT AND WRITTEN PERMISSION OF FORD PERFORMANCE PARTS.

**⚠ WARNING: Retighten wheel nuts within 160 km (100 mi) after a wheel is reinstalled. Wheels can loosen after initial tightening. Failure to follow this instruction may result in serious injury to vehicle occupant(s).**

**NOTICE: Failure to tighten the wheel nuts in a star/cross pattern can result in high brake disc runout, which accelerates the development of brake roughness, shudder and vibration.**

**NOTE: *The wheel nut torque specification is for clean, dry wheel stud and wheel nut threads.***

**NOTE: *Use metric hexagonal socket.***

**NOTE: *Final tightening to be performed with vehicle resting on tires.***





**Part Number: M-16600-BG / M-16600-BM**  
**Part Description: 2022+ BRONCO RAPTOR**  
**CARBON APPEARANCE KIT**

NO PART OF THIS DOCUMENT MAY BE REPRODUCED WITHOUT PRIOR AGREEMENT AND WRITTEN PERMISSION OF FORD PERFORMANCE PARTS.



**Hood Vent Kit:**

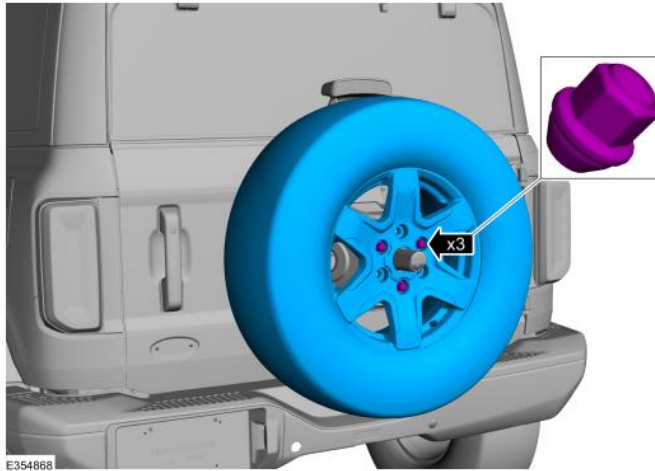
<b>Quantity</b>	<b>Part Name</b>
4	Exoskeleton Fastener
1	Rubber Bumper W/Fastener
2	Acc. Plug

Ford Factory Shop Manual purchase options [www.motorcraftservice.com](http://www.motorcraftservice.com)

NO PART OF THIS DOCUMENT MAY BE REPRODUCED WITHOUT PRIOR AGREEMENT AND WRITTEN PERMISSION OF FORD PERFORMANCE PARTS.

**NOTE:** *Removal steps in this procedure may contain installation details.*

**Step 1:** Remove (3) lug nuts from the spare tire and remove the tire. *Torque: 66 lb.ft (90 Nm)*

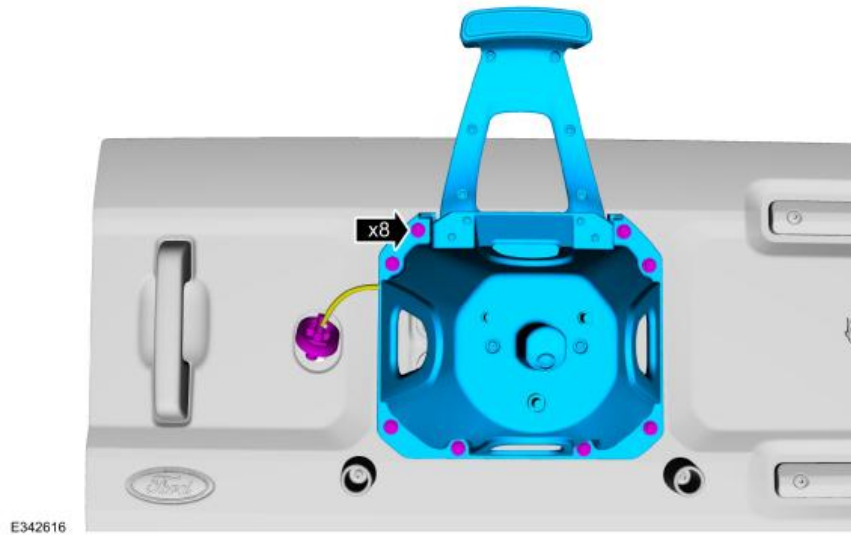


**Step 2:** Remove the bolt from the safety tether.



NO PART OF THIS DOCUMENT MAY BE REPRODUCED WITHOUT PRIOR AGREEMENT AND WRITTEN PERMISSION OF FORD PERFORMANCE PARTS.

**Step 3:** Remove the bolts and the spare tire carrier. *Torque: 18 lb.ft (25 Nm)*



**Step 4:** Remove the push pin retainer from the rubber bumper, remove the bumper.



NO PART OF THIS DOCUMENT MAY BE REPRODUCED WITHOUT PRIOR AGREEMENT AND WRITTEN PERMISSION OF FORD PERFORMANCE PARTS.

**Step 5:** Remove (4) bolts from exoskeleton and remove from the vehicle.



**Step 6:** Install the supplied accessory plugs into the carbon fiber exoskeleton.



**Step 7:** To install the carbon fiber exoskeleton, reverse the removal procedure.

**NOTE:** Hand tighten the (4) bolts, do not use power tools to install. Excessive pressure may damage the carbon fiber.