



FORD PERFORMANCE

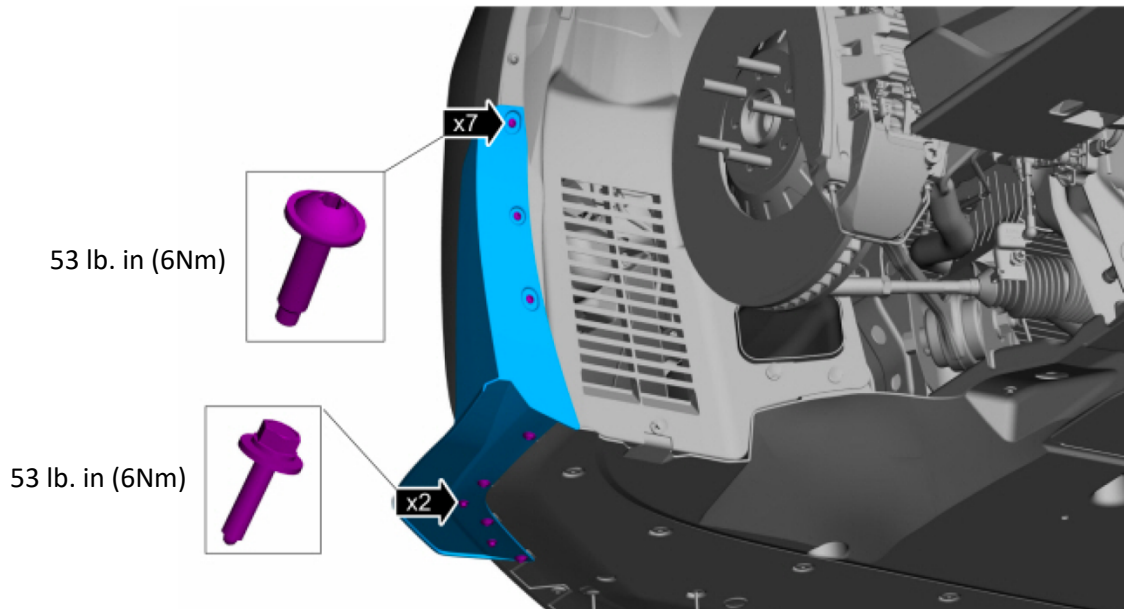
M-17750-MCF 2020 GT500 Front Bumper Insert Panel Installation

Carbon Fiber Front Bumper Insert Panel

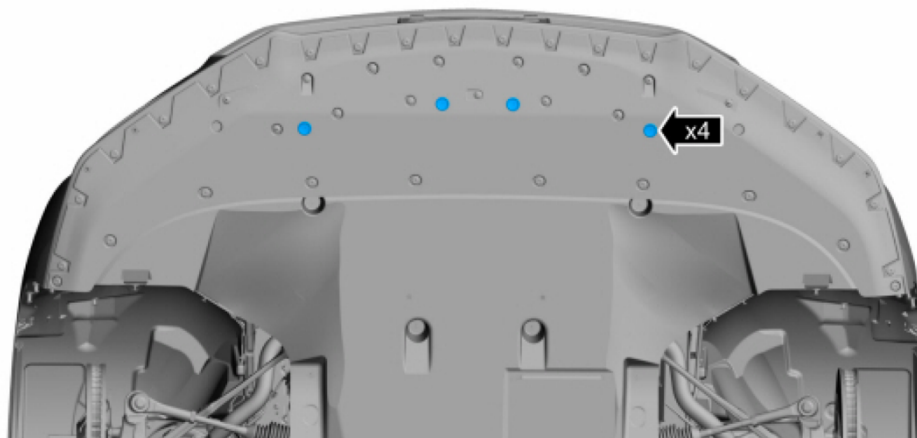
PLEASE READ ALL OF THE FOLLOWING INSTRUCTIONS CAREFULLY PRIOR TO INSTALLATION. AT ANY TIME YOU DO NOT UNDERSTAND THE INSTRUCTIONS, PLEASE CALL THE ANDERSON COMPOSITES CUSTOMER SERVICE LINE AT 1- 877-624-2662 (9:00 AM – 5:30 PM CALIFORNIA TIME, MON-FRI)

DISASSEMBLY – Front Bumper Cover Removal

1. Remove the front wheels and tires. Torque 150 lb. ft (204Nm)
2. If equipped, on both sides, remove the screws, the bolts and splitter wickers



3. Remove the screw covers





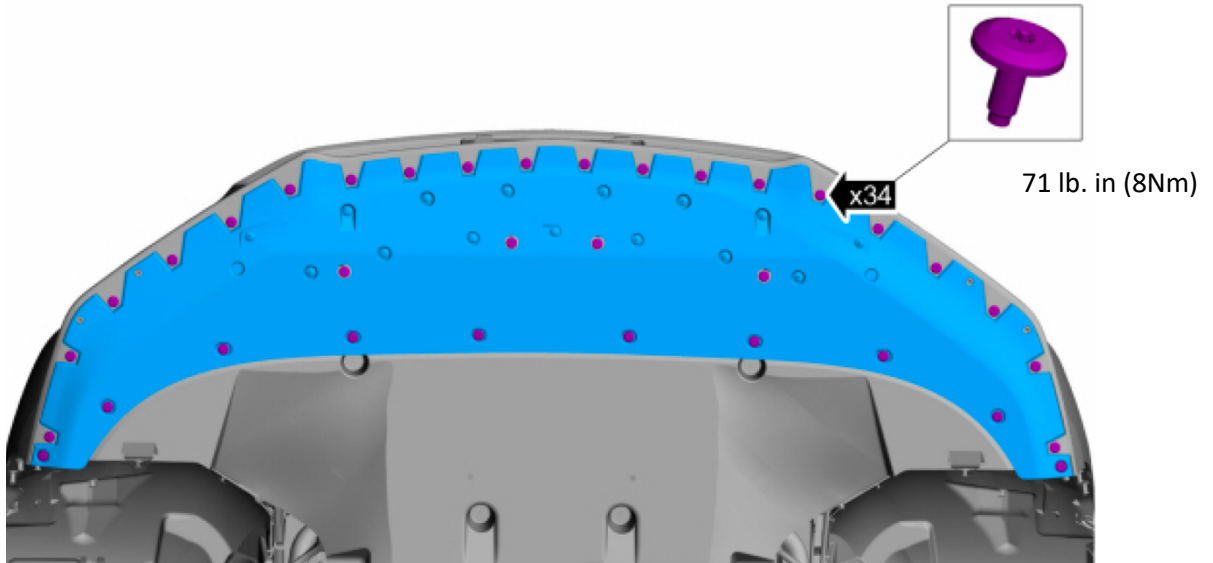
FORD PERFORMANCE

M-17750-MCF

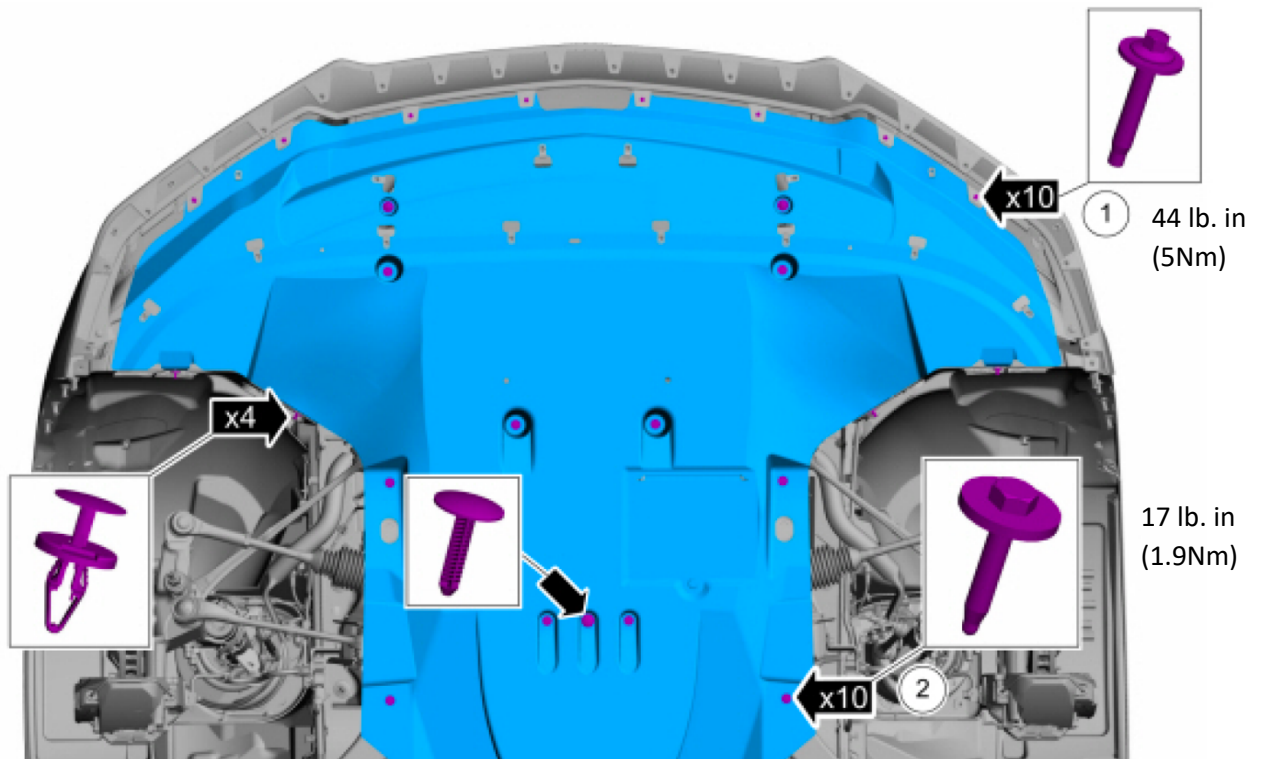
2020 GT500 Front Bumper Insert Panel Installation

Carbon Fiber Front Bumper Insert Panel

4. Remove the screws and the lower air splitter



5. Remove the bolts, the screws, push pins, the trim pin and the under engine closeout panel





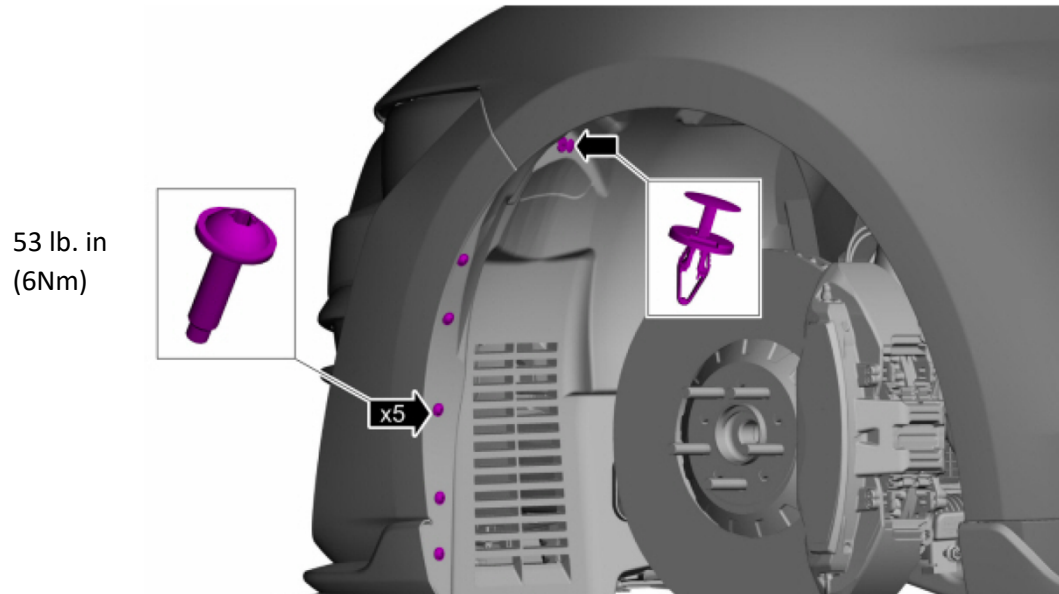
FORD PERFORMANCE

M-17750-MCF

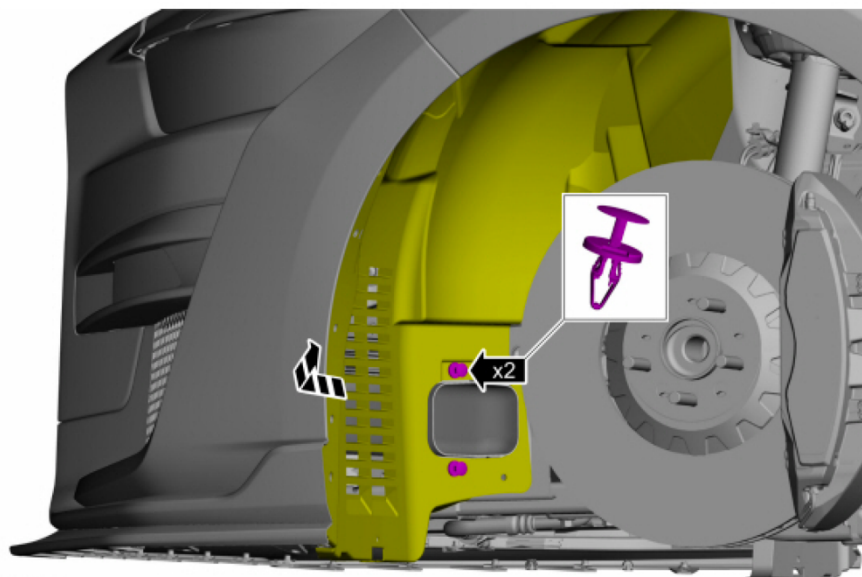
2020 GT500 Front Bumper Insert Panel Installation

Carbon Fiber Front Bumper Insert Panel

6. On both sides, remove the push pin and bolts



7. On both sides, remove push pins and position the fender liner aside





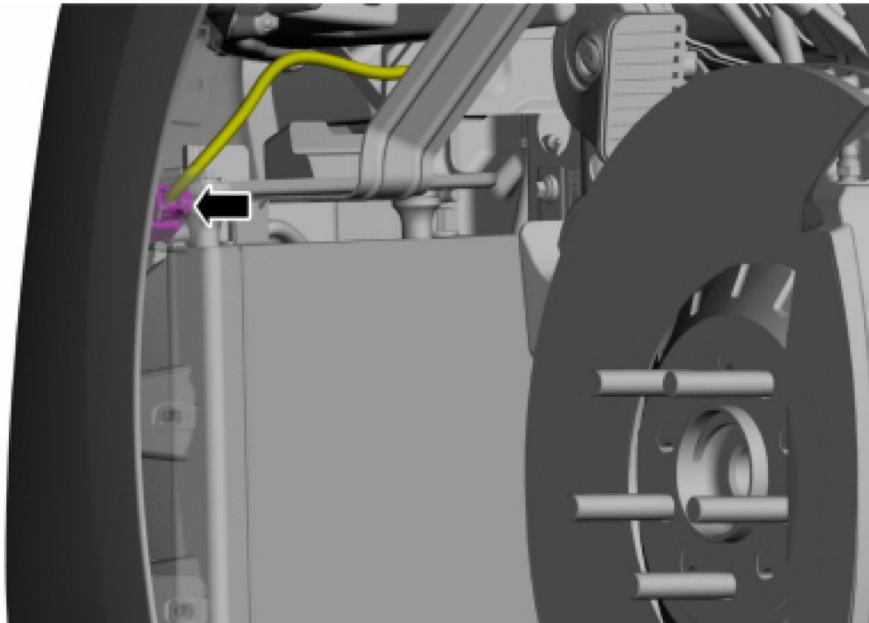
FORD PERFORMANCE

M-17750-MCF

2020 GT500 Front Bumper Insert Panel Installation

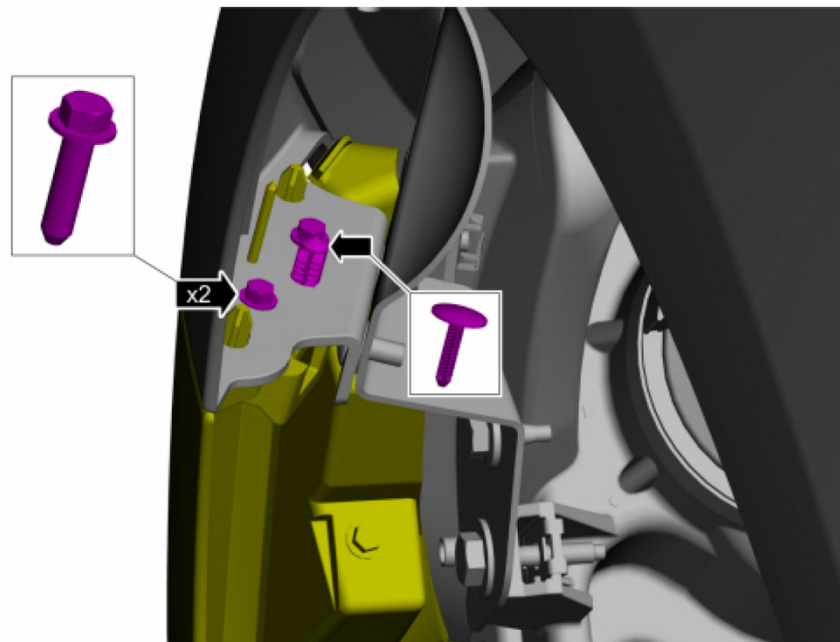
Carbon Fiber Front Bumper Insert Panel

8. On both sides, disconnect the electrical connector



9. On both sides, remove the bolts, trim pin and separate the front bumper cover from the fender bracket

53 lb. in
(6Nm)





FORD PERFORMANCE

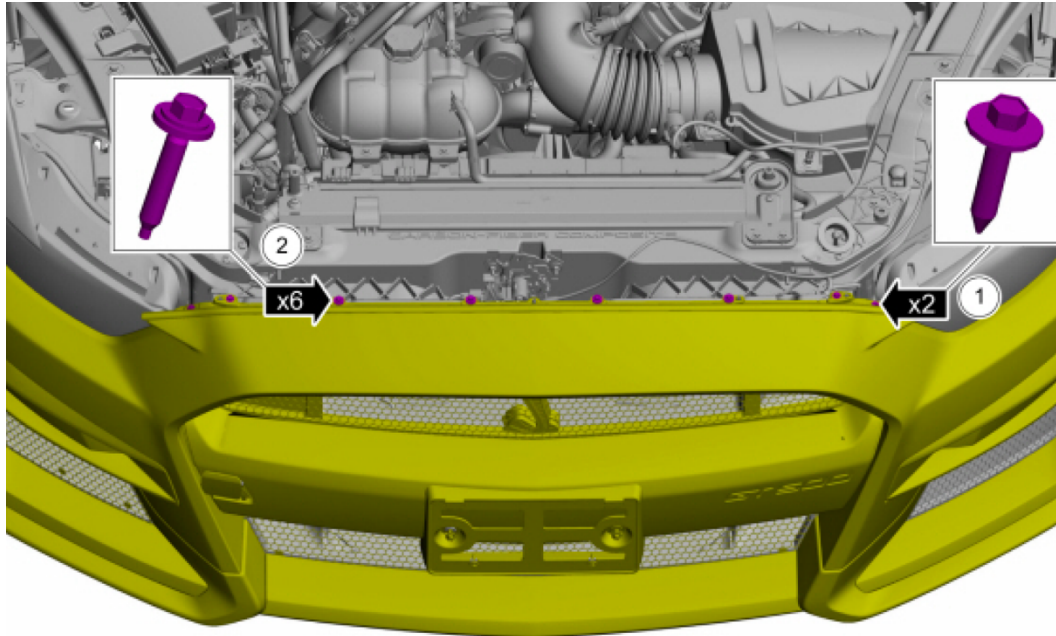
M-17750-MCF

2020 GT500 Front Bumper Insert Panel Installation

Carbon Fiber Front Bumper Insert Panel

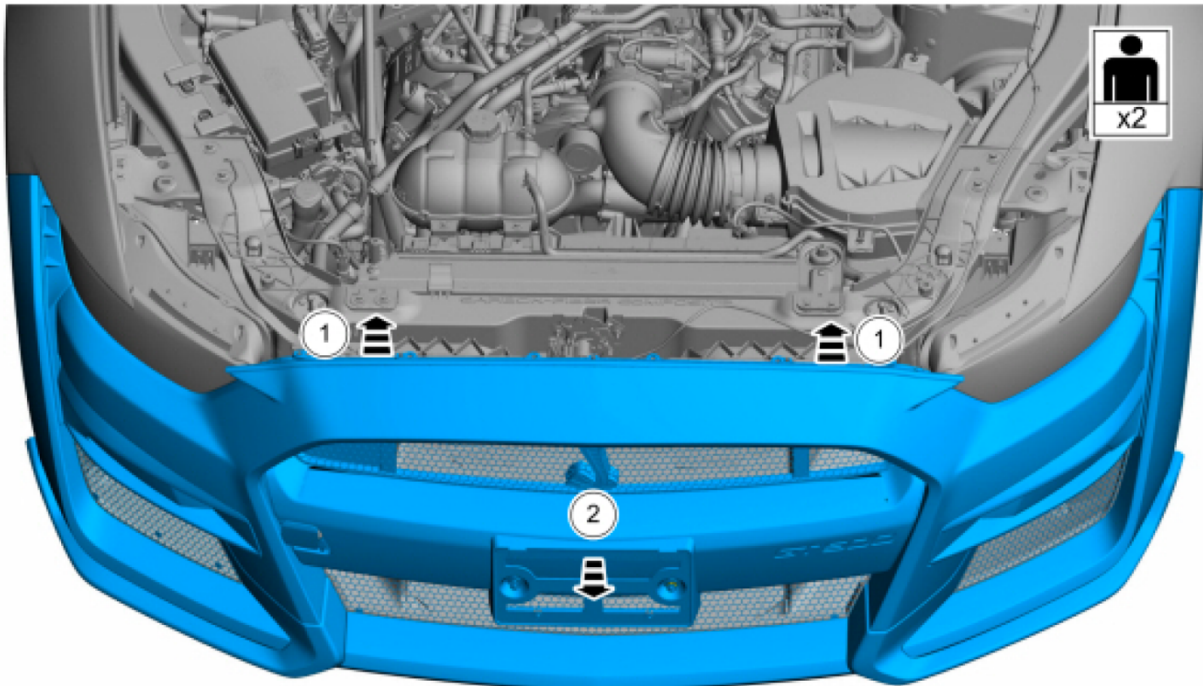
10. Remove the screws

53 lb. in
(6Nm)



18 lb. in
(2Nm)

11. With help of an assistant, remove the front bumper cover
- Lift the front bumper cover up and off the alignment pins
 - Pull the front bumper cover forward and off the vehicle





FORD **PERFORMANCE**

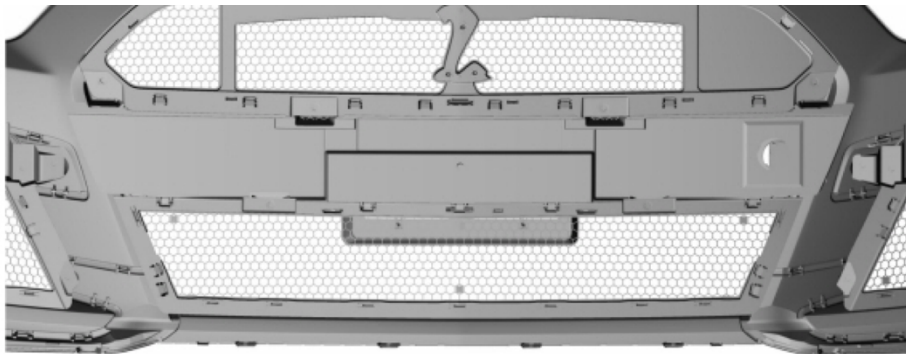
M-17750-MCF

2020 GT500 Front Bumper Insert Panel Installation

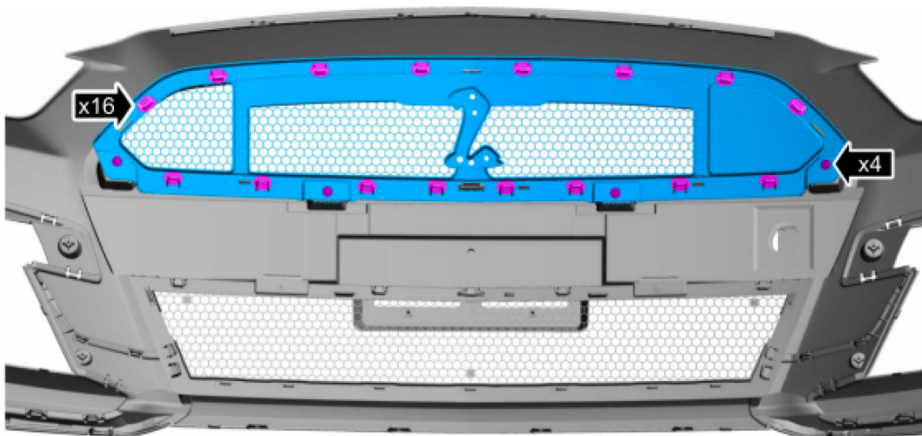
Carbon Fiber Front Bumper Insert Panel

DISASSEMBLY – Front Bumper Insert Removal

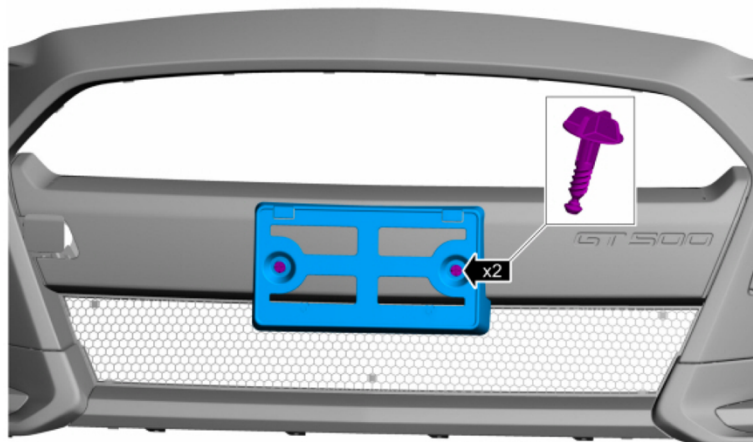
1. Access the back of front bumper cover



2. Remove the screws, release the tabs and remove the upper radiator grille panel



3. If equipped, remove the rivet blinds and the license plate bracket





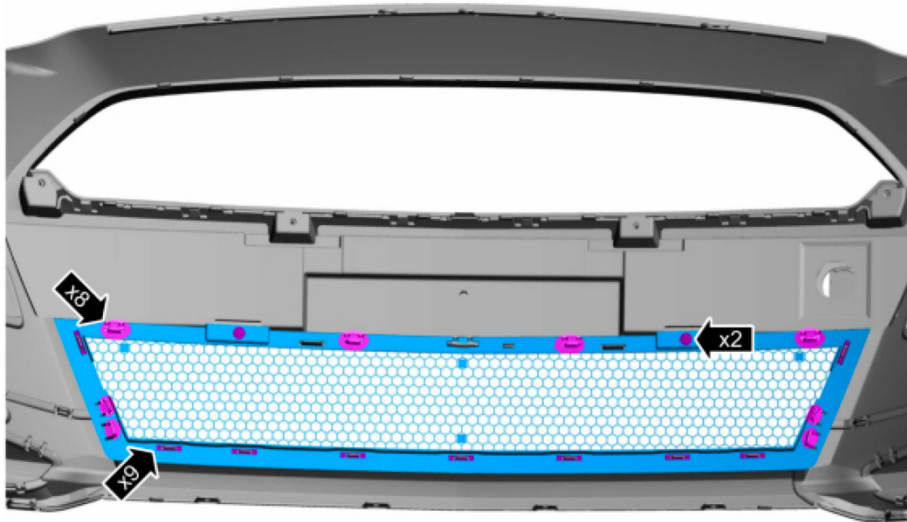
FORD **PERFORMANCE**

M-17750-MCF

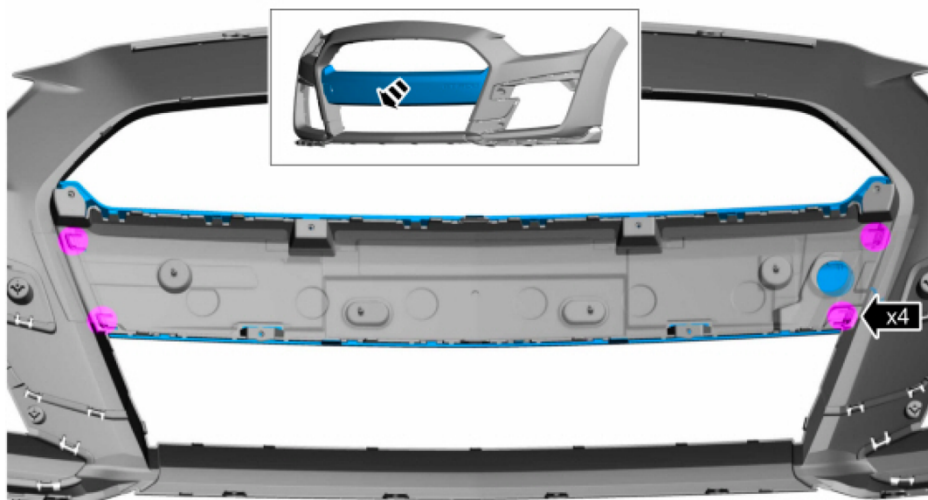
2020 GT500 Front Bumper Insert Panel Installation

Carbon Fiber Front Bumper Insert Panel

4. Remove the screws, the clips and release the tabs. Remove the lower radiator grille panel



5. Release the tabs and remove the gloss black front bumper insert panel





FORD PERFORMANCE

M-17750-MCF

2020 GT500 Front Bumper Insert Panel Installation

Carbon Fiber Front Bumper Insert Panel

ASSEMBLY

1. To assemble, reverse the disassembly procedure
2. Mounting tabs may require modifications for correct fitment; minor adjustments may be necessary as part of the normal installation process
3. Additional clips and hardware may be required from your Ford Parts Supplier if damaged upon disassembly
4. Carbon fiber products are hand-crafted, and no two items are identical. Tow hook cover may require clear silicone adhesive (not included) for positive retention

