



FORD PERFORMANCE

M-16600-MCF

2020 Ford Mustang Shelby GT500 Decklid
Panel with Snake Emblem

Decklid Panel with Snake Emblem

PLEASE READ ALL OF THE FOLLOWING INSTRUCTIONS CAREFULLY PRIOR TO INSTALLATION. AT ANY TIME YOU DO NOT UNDERSTAND THE INSTRUCTIONS, PLEASE CALL THE ANDERSON COMPOSITES CUSTOMER SERVICE LINE AT 1- 877-624-2662 (9:00 AM – 5:30 PM CALIFORNIA TIME, MON-FRI)

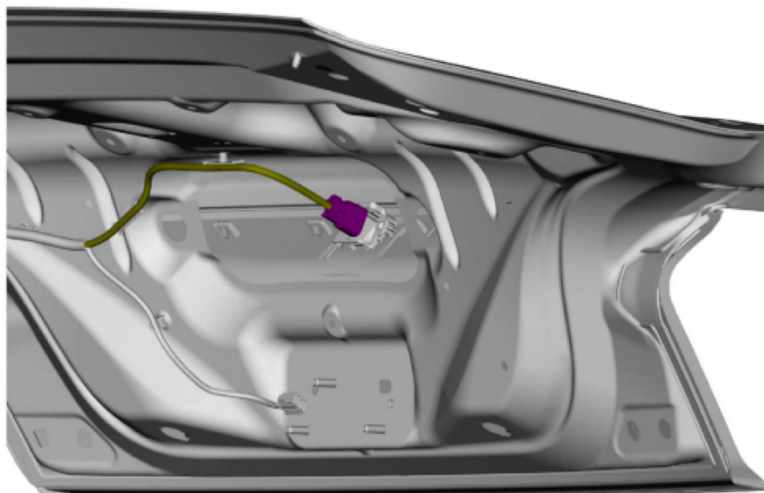
Removal

NOTE: Removal steps in this procedure may contain installation details.

1. Remove the decklid interior trim panel using a non-marring trim removal tool. Retain black plastic fasteners for reinstall.



2. Disconnect the rear parking aid camera electrical connector.





FORD PERFORMANCE

M-16600-MCF

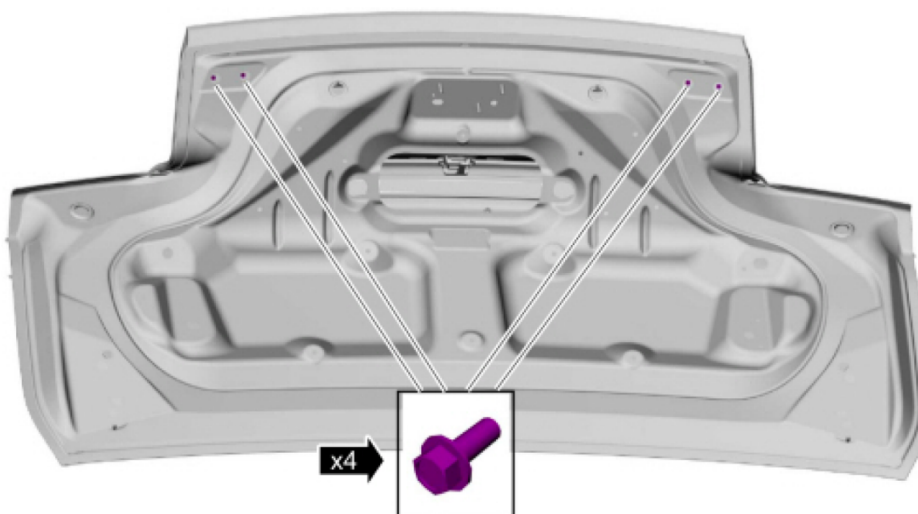
2020 Ford Mustang Shelby GT500 Decklid Panel with Snake Emblem

Decklid Panel with Snake Emblem

3. Remove the screw covers.



4. Remove the (4) screws. (discard, these will not be reused)





FORD PERFORMANCE

M-16600-MCF

2020 Ford Mustang Shelby GT500 Decklid Panel with Snake Emblem

Decklid Panel with Snake Emblem

5. **Apply blue painter's tape around the perimeter of decklid to prevent scratches during next steps.** Disengage the W-clips from the decklid panel using a non-marring trim removal tool. Depress the molded clips to disengage.



6. Remove the decklid panel.



Decklid Panel with Snake Emblem

7. Remove the camera from the decklid panel (retain mounting bracket and camera, discard bolts, will not be reused)
8. Do not remove (4) metal clips from tabs on original panel, these will not be reused.

Installation

1. To install the carbon fiber panel, reverse the removal procedure.
2. Use the provided screws, hand tighten only.
3. Carbon fiber aftermarket panel is manufactured to fit the original factory vehicle as closely as possible, occasional prepping may be necessary for an ideal fit.
4. Check camera mount opening, excess resin may need to be sanded for proper fit, do not force camera into opening.

