



**FORD PERFORMANCE**

## M-16612-AECJ 2018 Cobra Jet Carbon Fiber Hood Installation

### Hood

PLEASE READ ALL OF THE FOLLOWING INSTRUCTIONS CAREFULLY PRIOR TO INSTALLATION. AT ANY TIME YOU DO NOT UNDERSTAND THE INSTRUCTIONS, PLEASE CALL THE ANDERSON COMPOSITES CUSTOMER SERVICE LINE AT 1- 877-624-2662 (9:00 AM – 5:30 PM CALIFORNIA TIME, MON-FRI)

Not to be installed on vehicles that are driven on public roads. Windshield wiper assemblies must be removed. Hood does not accommodate windshield washer hoses or nozzles. Carbon fiber hoods require the use of heat shields to reduce damage to the hood surface and composite construction.

### Installation

**NOTE:** An assistant is necessary for the installation of the hood.

1. Lift hood hinges in the upward position.
2. Lift the hood onto the hinges and install mounting nuts. (4x)
3. Do not fully tighten nuts.
4. Do not install or re-install hood struts, carbon fiber hood may bow just forward of the strut mounting point or crack from stress, only use OEM prop rod, (JR3Z-16826-A)



E261217



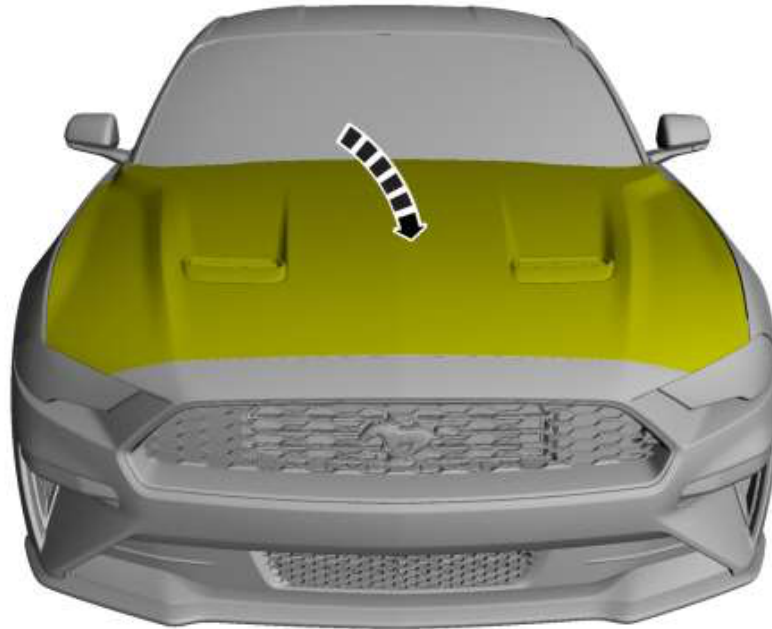
FORD PERFORMANCE

## M-16612-AECJ

2018 Cobra Jet Carbon Fiber Hood Installation

### Hood

5. Carefully close the hood.



E261218

6. Align the hood to spec



E261219

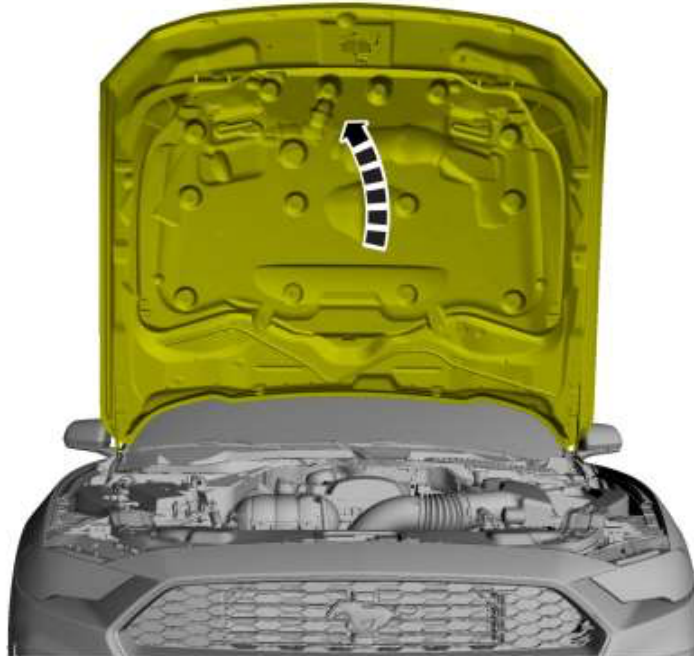


**FORD PERFORMANCE**

# M-16612-AECJ 2018 Cobra Jet Carbon Fiber Hood Installation

## Hood

7. Carefully open the hood.



E261220

8. Tighten nuts. (4x)



E261217



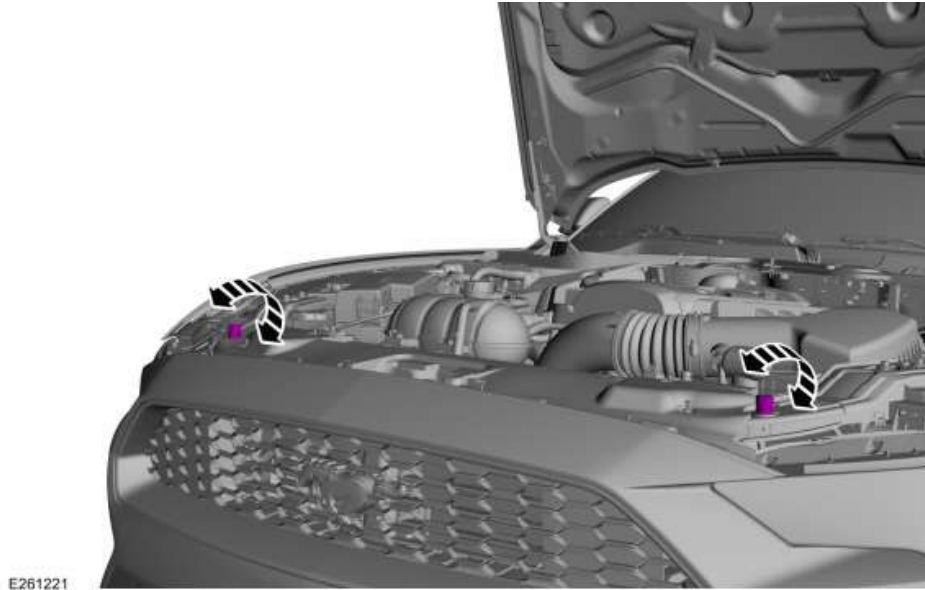
FORD **PERFORMANCE**

## M-16612-AECJ

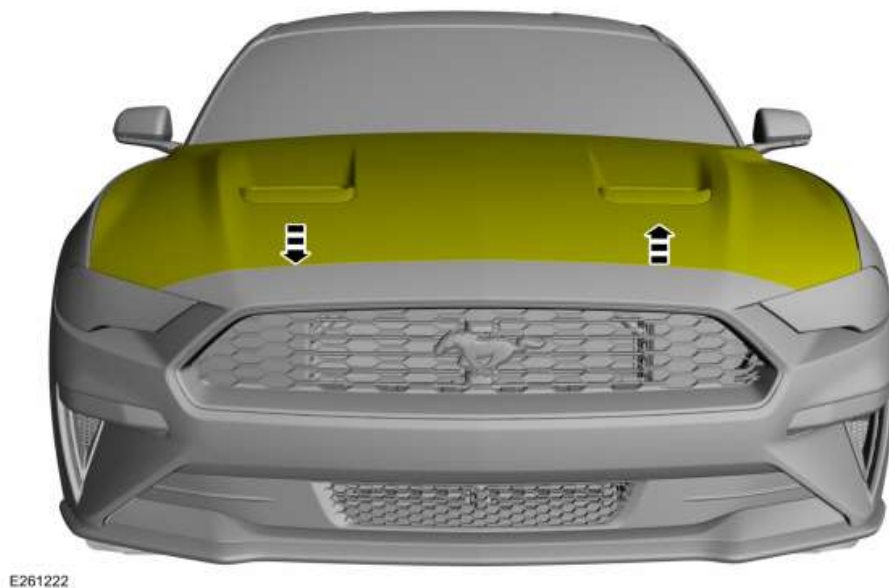
2018 Cobra Jet Carbon Fiber Hood Installation

### Hood

9. Adjust front bump stops



10. Adjust hood to spec and visually check all corners.





**FORD PERFORMANCE**

## **M-16612-AECJ** 2018 Cobra Jet Carbon Fiber Hood Installation

### **Hood**

11. Hood requires the installation of AeroCatch Above Panel #120-4100 hood pins.

Refer to <https://www.aerocatch.com/wp-content/uploads/2018/08/July-2018-120-Series-Above-Panel-Installation-Guide.pdf> for installation guide; carbon fiber hood has recessed pockets for AeroCatch hood pins, disregard "Panel Cut Out" section of guide.