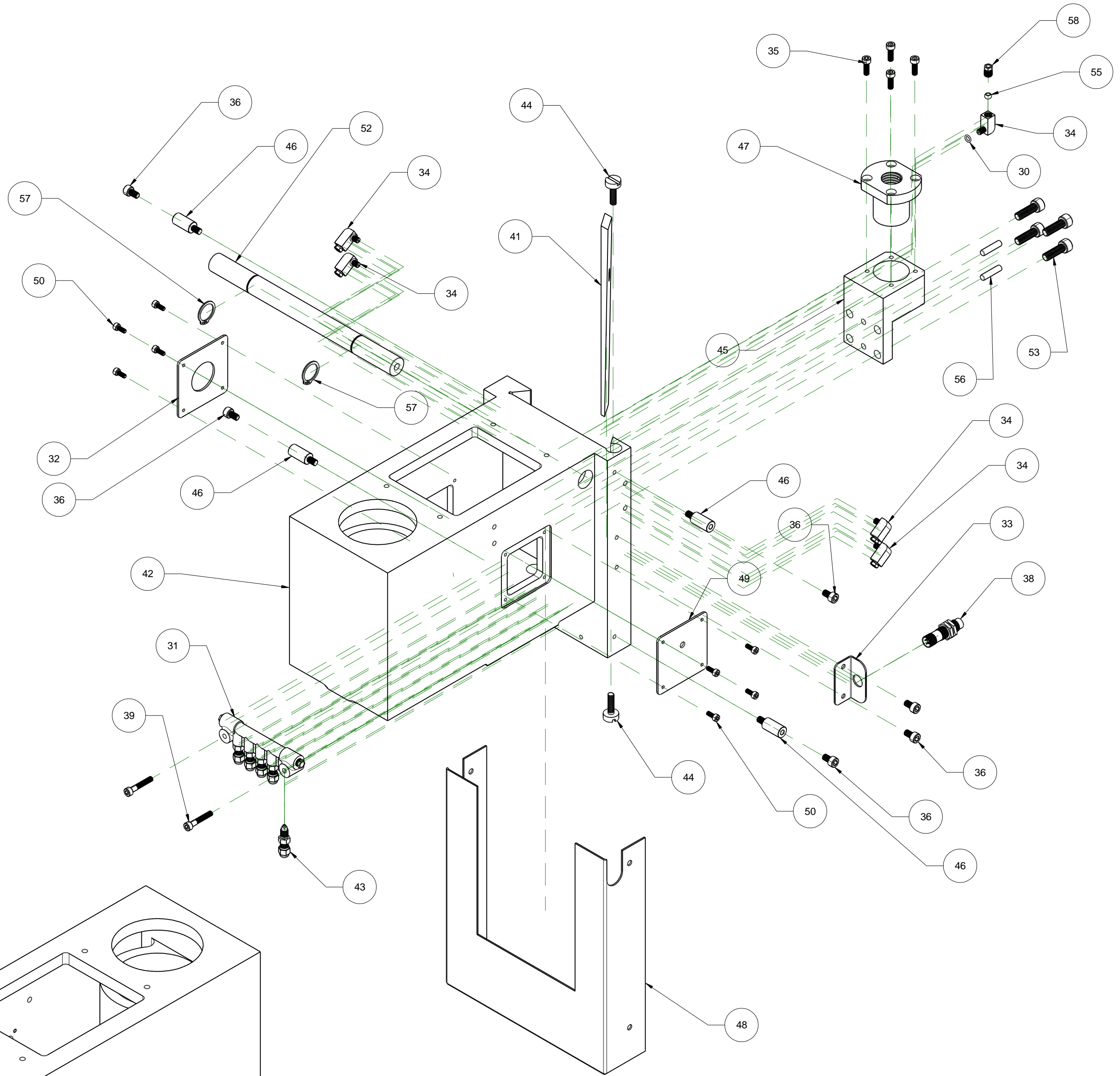
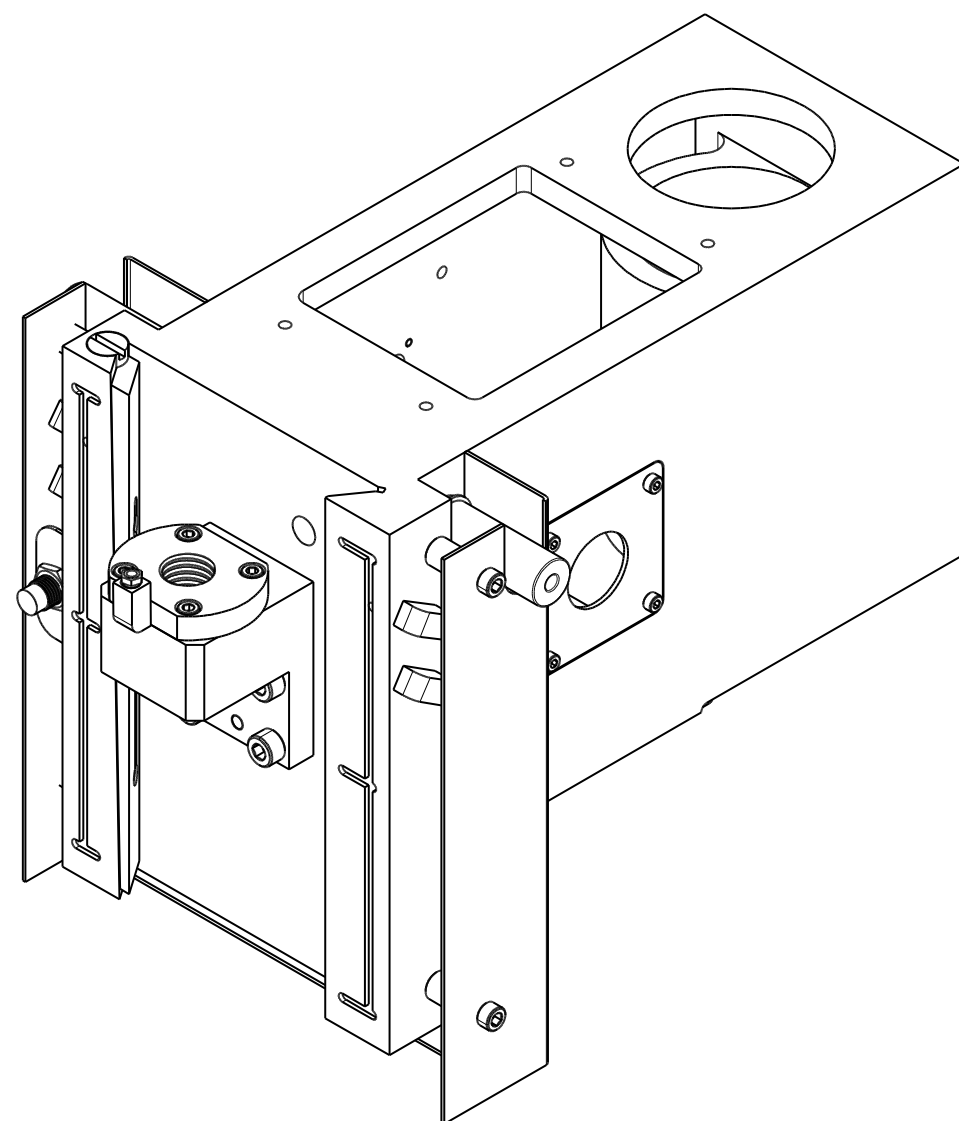
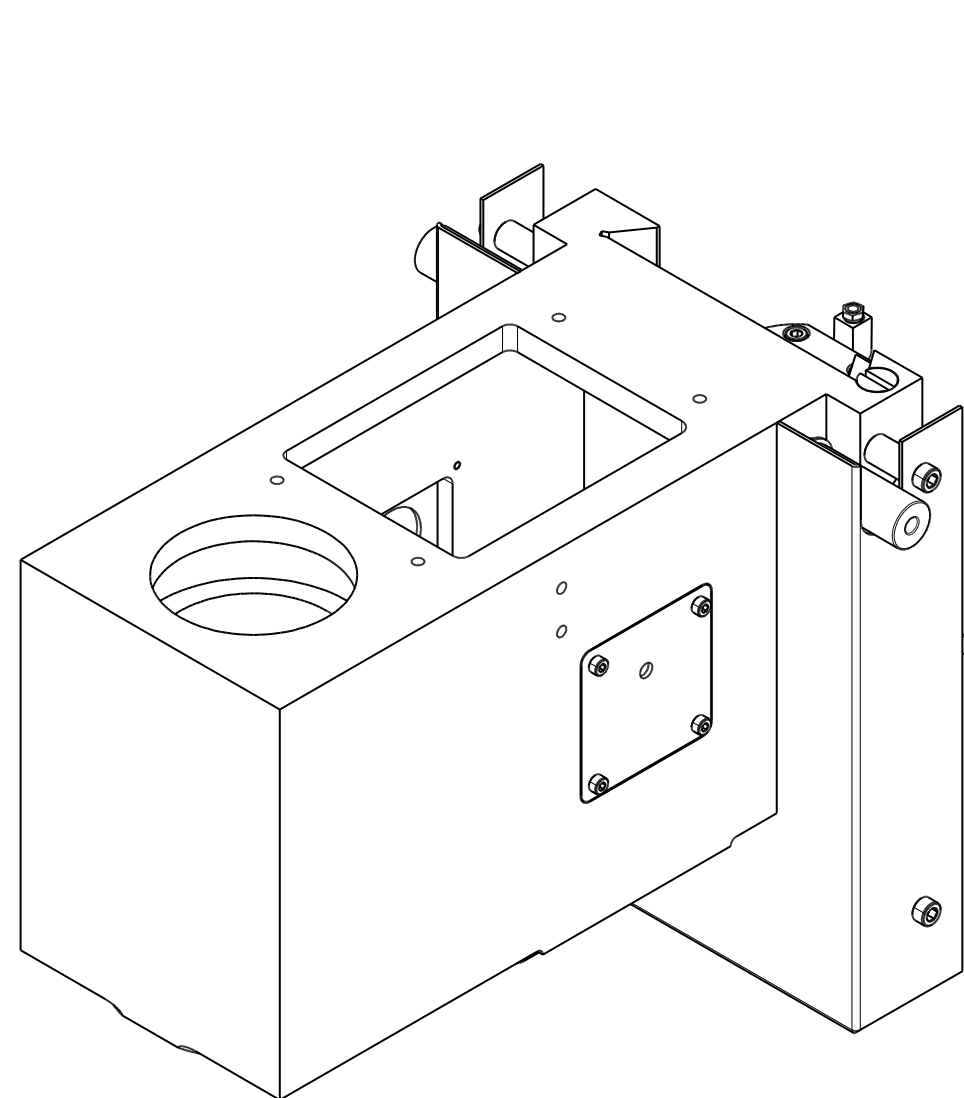
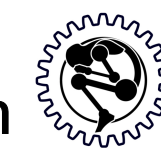


Item Number	Quan	Part Number	Part Name
30	10		O-Ring
31	1		Oil Manifold x7
32	1		Head Side Plate
33	1		X Sensor Bracket
34	5		Adaptor-Elbow
35	4		M5x15 Socket Head
36	6		M5x10 Socket Head
37	1		Lower Head Cover
38	1		Sensor NPN
39	2		M5x30 Socket Head
40	5		Flow Valve
41	1		GIB-Z
42	1		Head, Lower Assembly
43	5		Line Connector
44	2		GIB Adjusting Screw
45	1		Z-axis Ball Nut Mount
46	4		Standoff
47	1		Ball Nut
48	1		Lower Bellow Trim
49	1		Head Side Plate-Right Side
50	8		M4x10 Socket Head
51	2		Sensor Nut
52	1		Gas Spring Support
53	4		M8x25 Socket Head
54	1		Plug
55	12		Furrel
56	2		Pin, 6 x 25mm
57	2		Snap Ring, 20 x 1.2mm
58	6		Adaptor



Property of:
Novakon
 International Corp
 Phone (905) 258-0366
 Novakon.net



Nomenclature		Lower Head Assy	
End Item System	Pulsar	DATE	25-Oct-2015
Sub System		REV	0
DWG NO.		SHEET	1 of 1