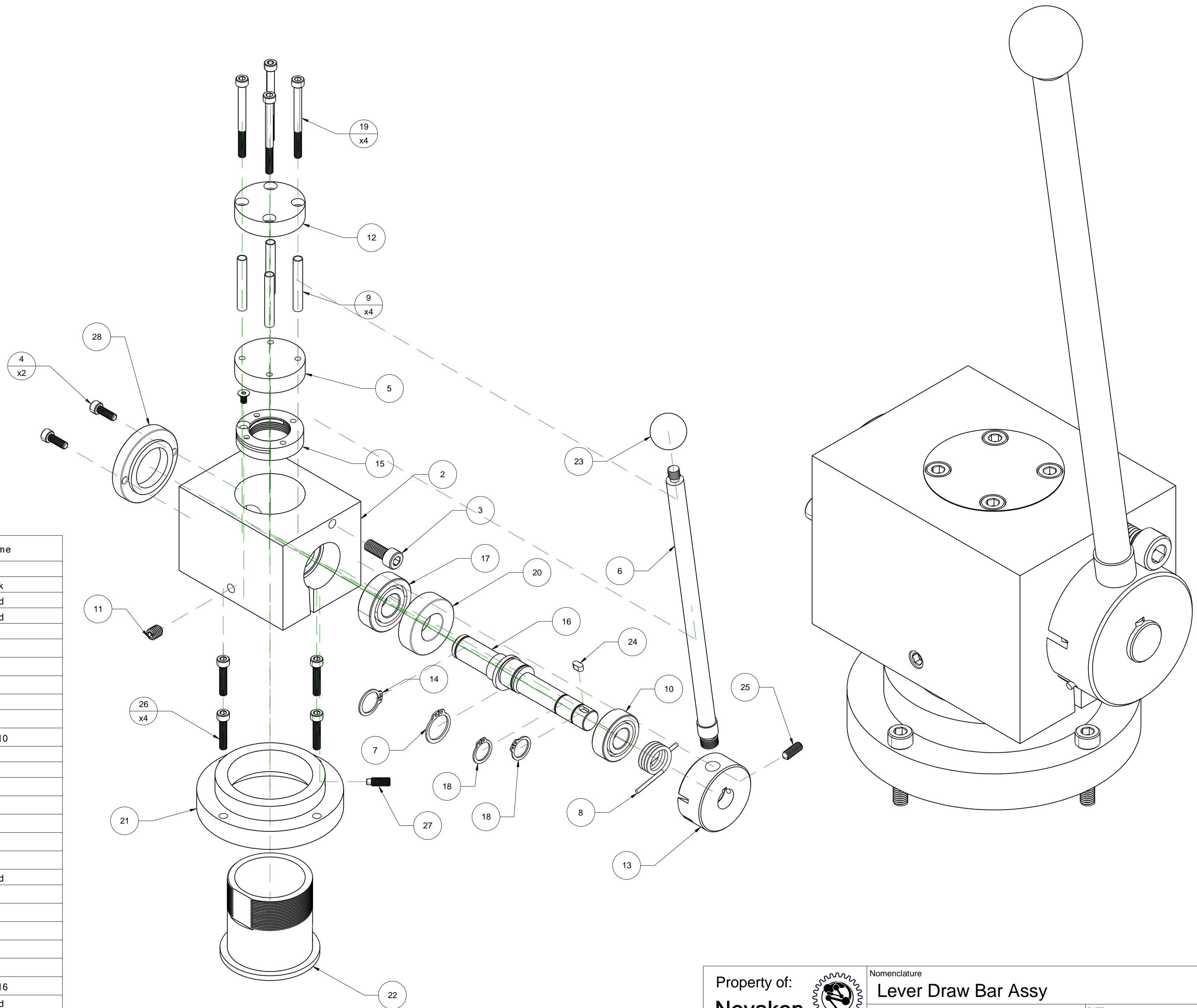


Item Number	Quan	Part Number	Part Name
1	1		M4x8 Flat
2	1		Cylinder Head Block
3	1		M8x20 Socket Head
4	2		M5x15 Socket Head
5	1		Lower Piston
6	1		Handle Shaft
7	1		Clip, 20x1.3
8	1		Tortion Spring
9	4		Spacer
10	1		Bearing, 6202
11	1		Set Screw, 8mm x 10
12	1		Upper Piston
13	1		Knob Hub
14	1		Clip, 17x1.1
15	1		Pull Bushing
16	1		CAM2
17	1		Bearing, 6203
18	2		Clip, 15x1.1
19	4		M5x60 Socket Head
20	1		Bushing, 6004
21	1		Collar
22	1		Cylinder
23	1		Knob
24	1		Key 4x4x8
25	1		Set Screw, 6mm x 16
26	4		M5x25 Socket Head
27	1		M16x16 SET SCREW with EXT POINT
28	1		Cover



Property of:  
**Novakon**  
 International Corp  
 Phone (905) 258-0366  
 Novakon.net



Nomenclature <b>Lever Draw Bar Assy</b>		DATE <b>25-Oct-2015</b>
End Item System <b>Pulsar</b>	REV <b>0</b>	
Sub System	SHEET <b>1 of 1</b>	
DWG NO.		