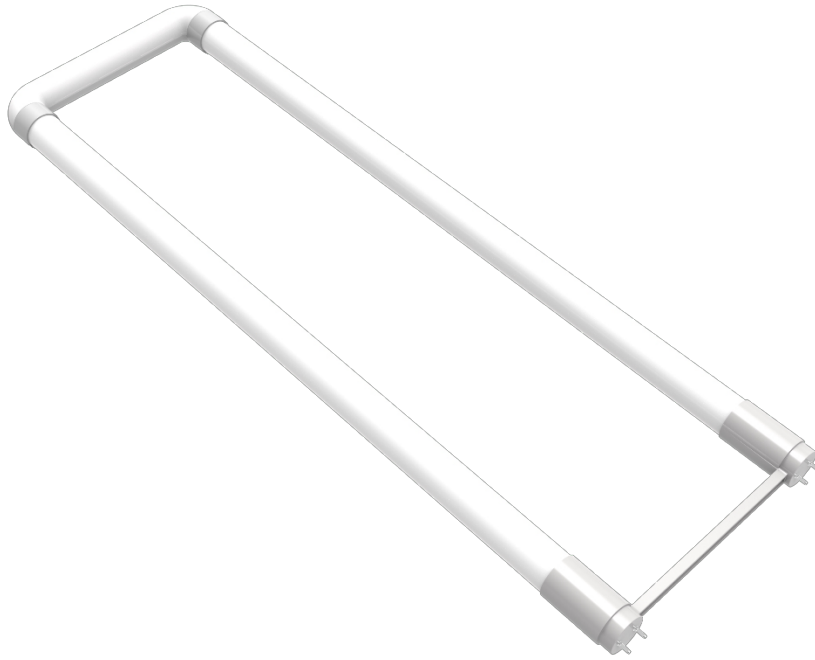


LED 2FT U-Shaped Type A + B Tube



FEATURES

- Type A + B
- Low thermal decay & maintenance
- No Mercury, UV or Lead
- 50,000 hours lifetime
- NSF rated for food zone (non-contact), splash zone and non-food zone

SUITABLE APPLICATIONS

- Commercial buildings
- Hotels
- Conference rooms
- Schools
- Supermarkets
- Factories
- Hospitals
- Office Buildings
- Airports

CONSTRUCTION:

Glass with shatterproof coating. Frosted lens. G13 base.

ELECTRICAL:

Available as 120-277V input. -20°C to 50°C, -4°F to 122°F

OPTICAL SYSTEM:

Hongli 2835 LED chips. 180° beam angle.

INSTALLATION & MOUNTING:

Type A + B

WARRANTY:

5-year limited warranty. Actual performance may differ as a result of end-user environment and application.



MODEL NUMBER	WATTAGE	LUMENS	EFFICACY	CRI	POWER FACTOR	THD	REPLACES
LOC-T82FTU-15W40KDF YM	15W	2,052LM	135.25LM/W	83	0.966	10%	60W
LOC-T82FTU-15W50KDF YM	15W	1,926LM	117.09LM/W	83	0.967	10%	60W

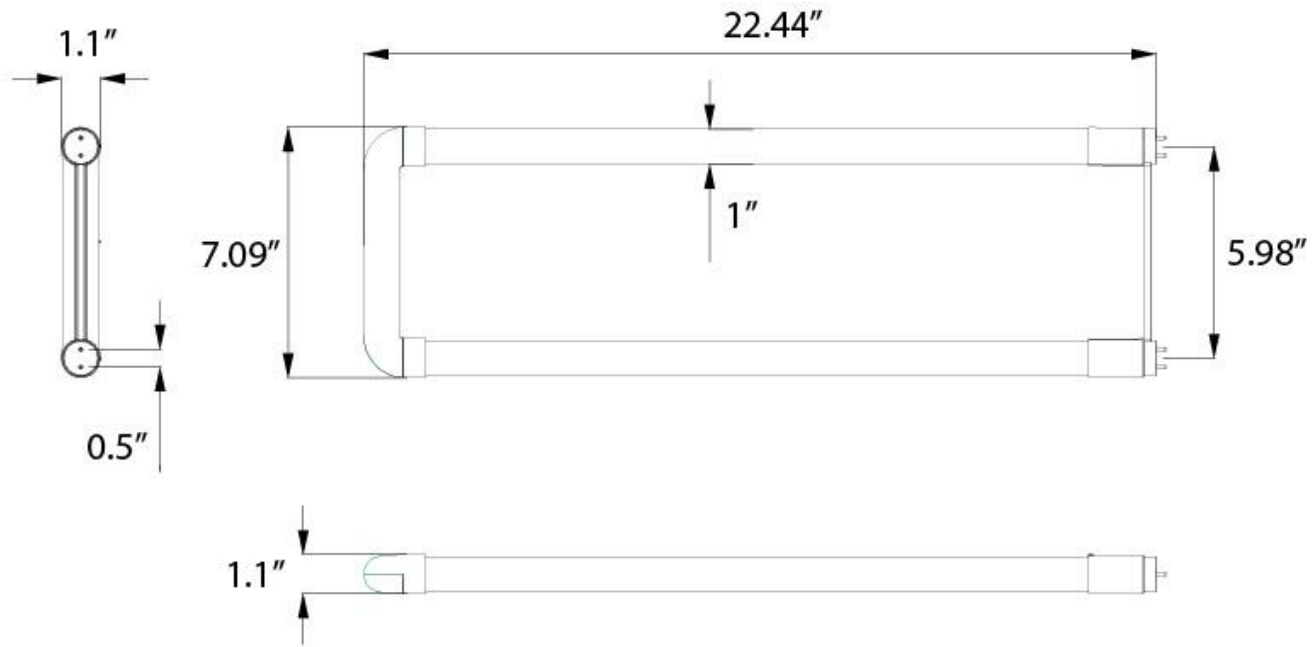
DLC Product ID:

- LOC-T82FTU-15W40KDF YM – PBTB6V6V
- LOC-T82FTU-15W50KDF YM – PD10UBRX



Series	Type	Wattage	CCT Options	Power
LOC-	2FTU = 2 Foot U-Shaped	15W	5000K	YM = Type A + B

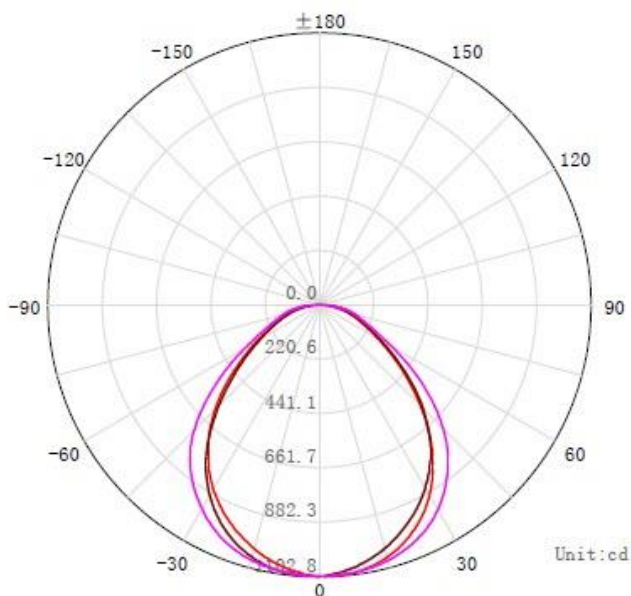
MEASUREMENTS



MODEL NUMBER	QUANTITY	WEIGHT	UPC CODE
LOC-T82FTU-15W50KDF YM	1	0.55 lbs	00810050941150

PHOTOMETRIC DATA

C Plane Distribution Diagram



C Plane	[50%MaxAng.]	[10%MaxAng.]
C190.0_10.0	93.4	153.6
C0.0_180.0	93.0	153.4
C90.0_270.0	103.2	159.7

Illuminance-Distance Curve

