

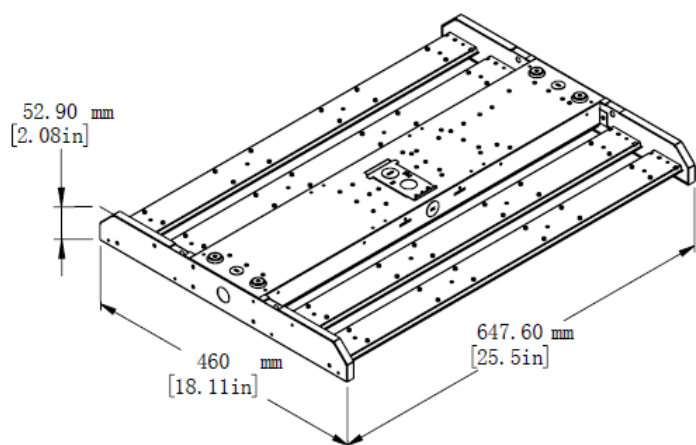
PRODUCT DESCRIPTION:

The linear high bay is the lighting solution for a wide variety of applications and mounting heights. A choice of lumen outputs and color temperatures make the high efficacy the ideal solution for industrial warehouses, commercial facilities, gymnasiums, convention centers and other high bay application.

FEATURES:

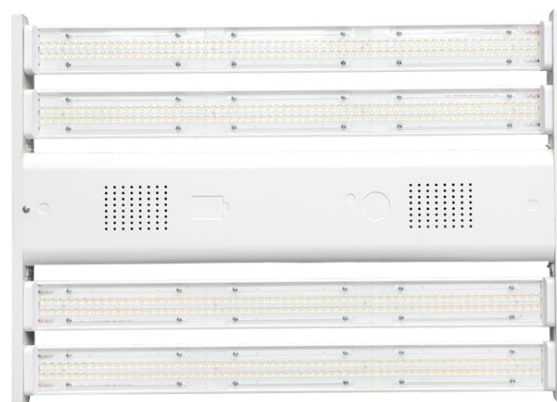
- Samsung 2835 LED chips
- Fixture body and endcaps are fabricated from aluminum for maximum rigidity
- Lightweight aluminum heat sink designed to perform naturally convective cooling
- Suitable for hanging mount, surface mount or pendant mount
- 1-10V Dimming comes standard. Suitable for use with LED dimmers
- Motion sensor option available

DIMENSIONS:



LED Linear High Bay Spec

LOD-LHB161W-50K-EL-FC-[Blank,EM]-[Blank,MS]



LED Linear High Bay Spec

SPECIFICATIONS:

SPECIFICATION	Details
Model	LOD-LHB161W-50K-EL-FC-[Blank,EM]-[Blank,MS]
Input Wattage (W)	161W
Lumens Delivered (LM)	23,216LM
Efficacy (LM/W)	144.2LM/W
CRI	80
Lifespan	100,000 hours
Color Temperature	5,000K
Dimmable	Yes
IP Rating	IP40
Beam Angle	120
Input Voltage	AC120-277V
Power Factor	0.9
Housing	Steel & Aluminum
Lens	Clear
Mounting	Surface, hanging or pendant
Weight (LBS)	
THD	20%
Size (inches)	25.5" x 18.11" x 2.08"
Certification	DLC, UL
Operating Temperature	-20°C-40°C
Environment	Indoor
Warranty	5 years limited

*4000K is a special-order request *Frosted lens is a special order

