

LOC-RGAL Series Installation Guide

SAFETY INSTRUCTIONS: Read instructions carefully before attempting to install fixture.

- All wiring should be performed by a qualified electrician.
- Disconnect power before installing or servicing. This fixture must be wired in accordance with the National Electrical Code and applicable local codes and ordinances.
- Proper grounding is required to ensure personal safety.

CAUTION: Risk of fire

- **WARNING:** Make certain power is OFF before installing or maintaining fixture. No user serviceable parts inside.

CLEANING & MAINTENANCE:

CAUTION: Be sure the fixture temperature is cool enough to touch. Do NOT clean or maintain while the fixture is energized.

1. Clean glass lens with non-abrasive cleaning solution.
2. Do NOT open fixture to clean the LED. Do NOT touch the LED.

Note: These instructions do not cover all details or variation in equipment, nor do they provide for every possible situation during installation, operation or maintenance.

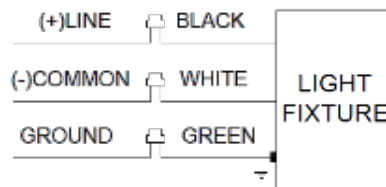
TROUBLESHOOTING:

1. Check that the line voltage at fixture is correct. Refer to wiring directions.
2. Check that the fixture is grounded properly.

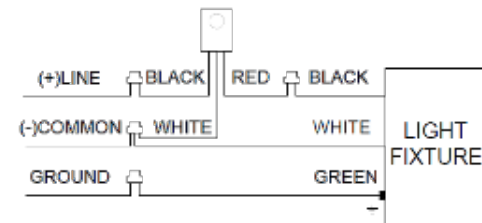
WIRING:

Universal voltage driver permits operation at 120V through 277V, 50/60Hz or 277 to 480V. Follow wiring directions.

1. Connect the BLACK fixture lead to the (+) LINE supply lead.
2. Connect the WHITE fixture lead to the (-) COMMON supply lead.
3. Connect the GROUND wire from fixture to supply ground.



Without photocell

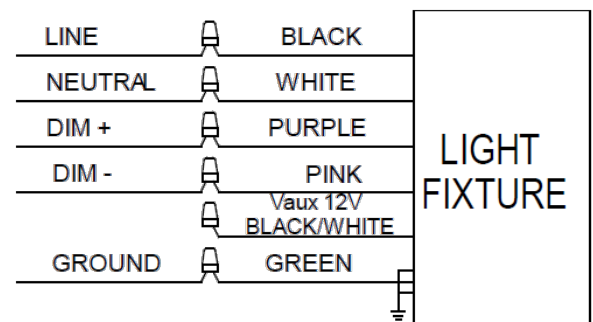


With photocell

0-10V DIMMABLE WIRING:

Universal voltage driver permits operation at 120V through 277V, 50/60Hz or 277V to 480V. For 0-10V dimming, follow the wiring instructions.

1. Connect the BLACK fixture lead to the (+) LINE supply lead.
2. Connect the WHITE fixture lead to the (-) COMMON supply lead.
3. Connect the GROUND wire from fixture to supply ground. Do NOT connect the GROUND of the dimming fixture to the output.
4. Connect the PURPLE fixture lead to the (V+) DIM lead.
5. Connect the PINK fixture lead to the (V-) DIM lead.
6. Cap the Vaux 12V fixture lead, if present. Do NOT connect.

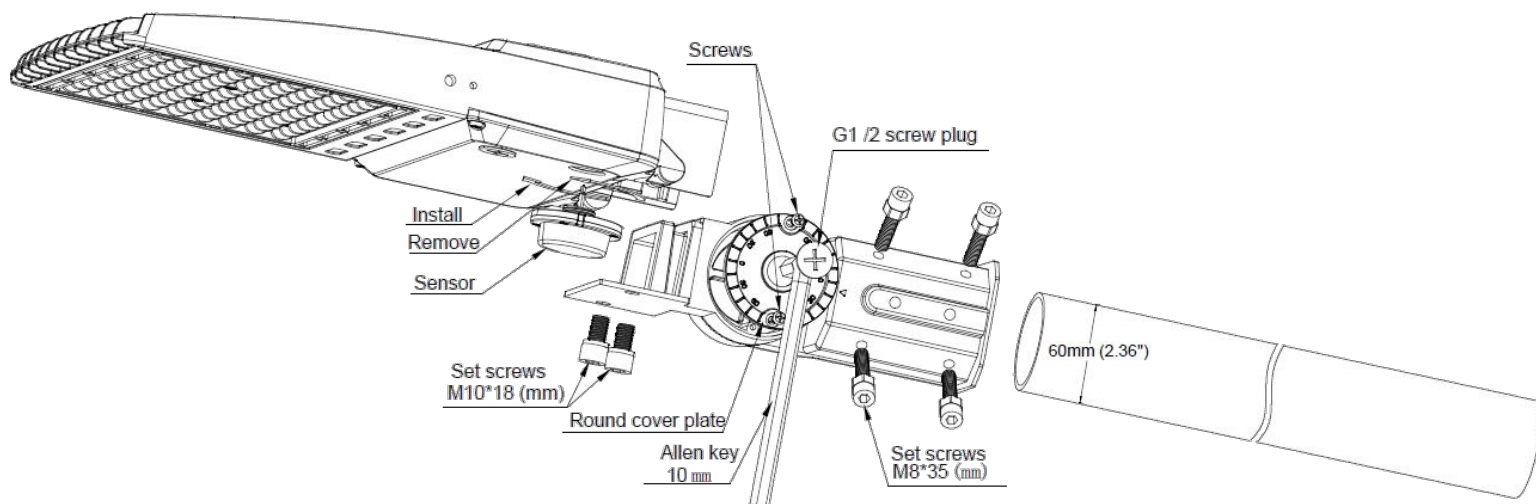


0-10V Dimming

MOUNTING OPTIONS:

SLIP FITTER MOUNTING:

1. The slip fitter mounting fits a 2 3/8" O.D. tenon.
2. Remove 2 screws on side of round cover plate and install the slip fitter onto the fixture.
3. Install the 2 screws on the side of the round cover plate. Connect the wires accordingly.
4. Place the slip fitter over the pole and secure the fixture with the set screws on the side of the slip fitter.
5. Loosen the locking bolt and swivel fixture to desired angle.
6. Tighten the locking bolt and re-attach the G1/2 screw plug.



ADJUSTABLE ARM MOUNTING:

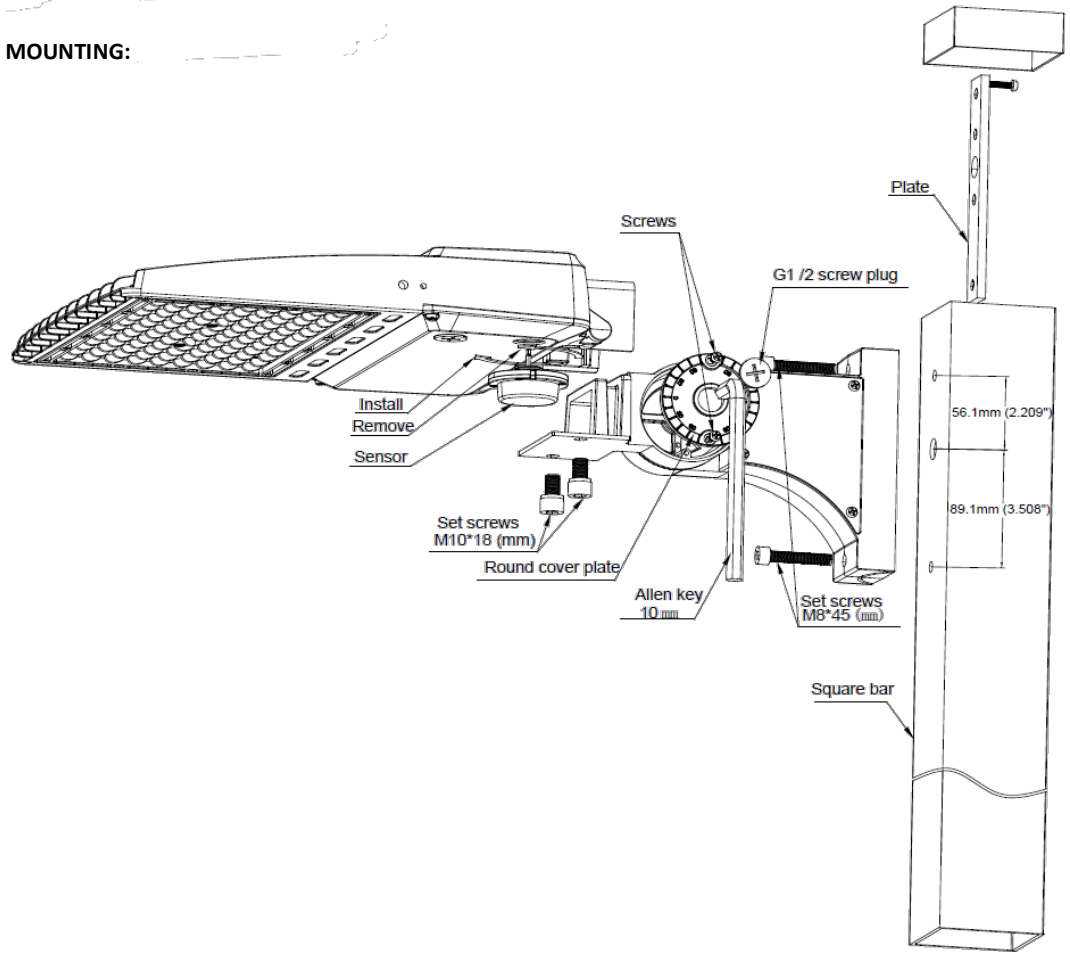
Square Pole Installation:

1. Remove the 2 screws on the side of the round cover plate and install the arm onto the fixture.
2. Install the 2 screws on the side of the round cover plate and install the arm base onto the square pole.
3. Connect the wires according to the wire diagram.
4. Remove the G1/2 screw plug, loosen the locking bolt and swivel the fixture to the desired angle.
5. Tighten the locking bolt and install the G1/2 screw plug.

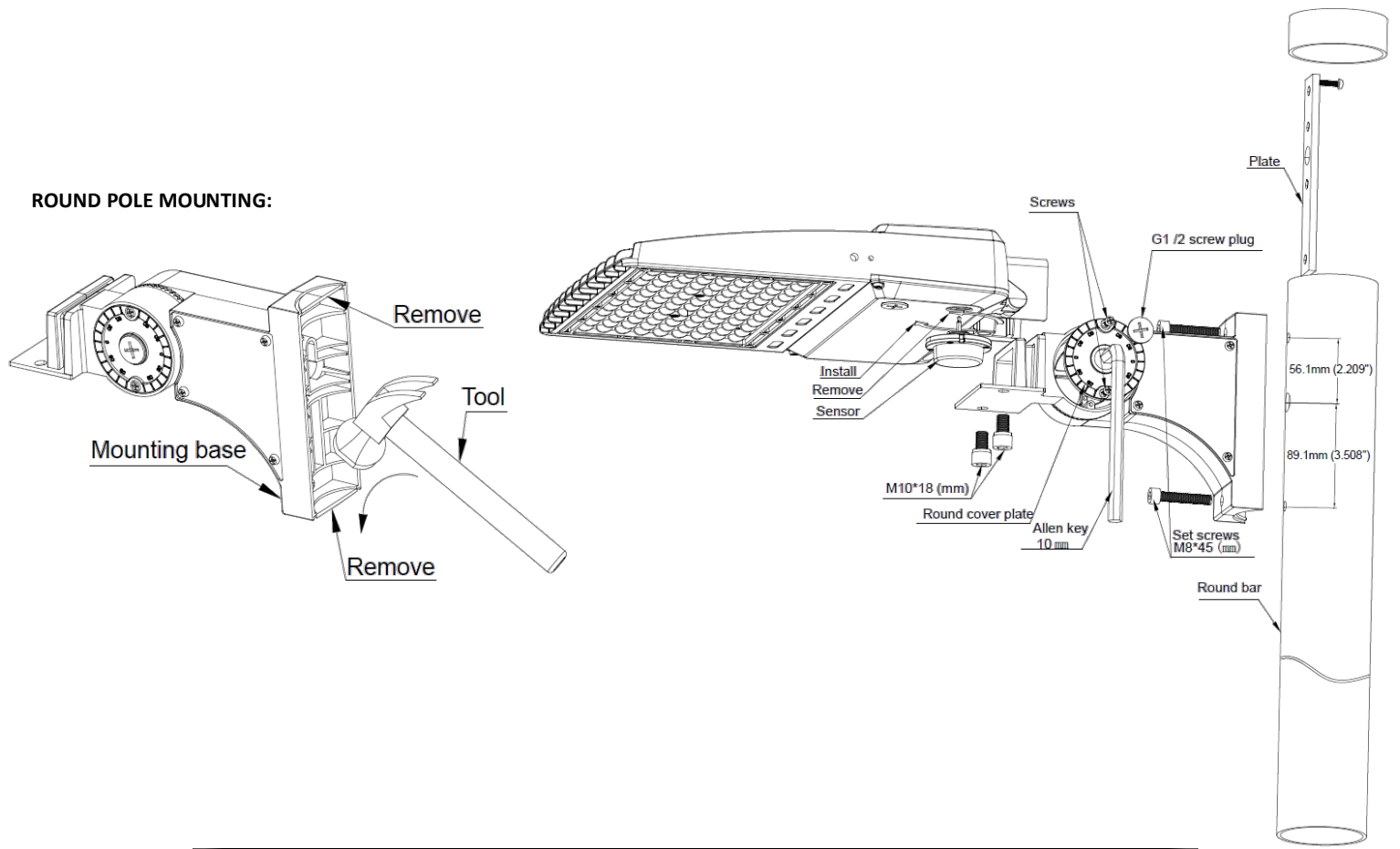
Round Pole Installation:

1. Remove the 2 screws on the side of the round cover plate and install the arm onto the fixture.
2. Install the 2 screws on the side of the round cover plate and install the arm base onto the square pole.
3. Make sure to remove the base of the arm to fit the ac-shaped round pole.
4. Connect the wires according to the wire diagram.
5. Remove the G1/2 screw plug, loosen the locking bolt and swivel the fixture to the desired angle.
6. Tighten the locking bolt and install the G1/2 screw plug.

SQUARE POLE MOUNTING:



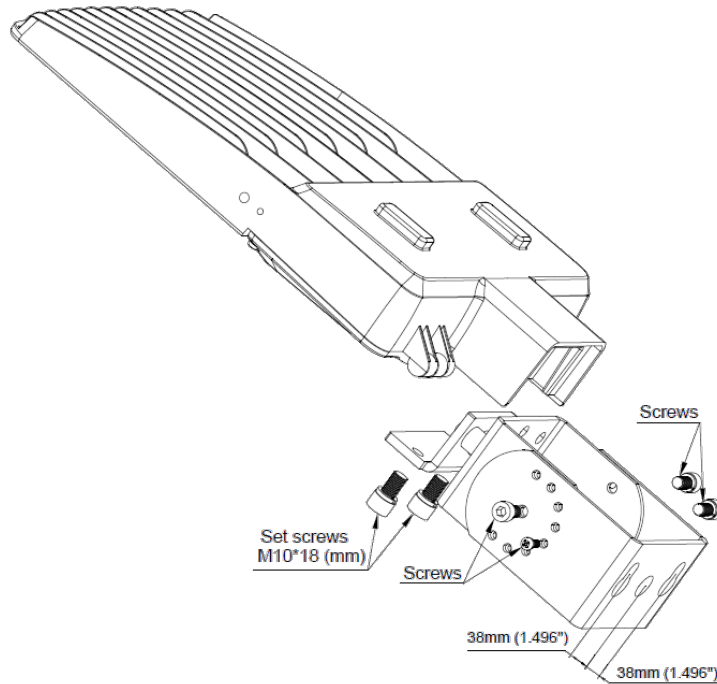
ROUND POLE MOUNTING:



TRUNNION MOUNTING:

CAUTION: UL and CUL listed or CSA certified liquid tight cord grip suitable for use with 3 conductor type STW flexible cord shall be used for connection to a wet location outlet box provided by others.

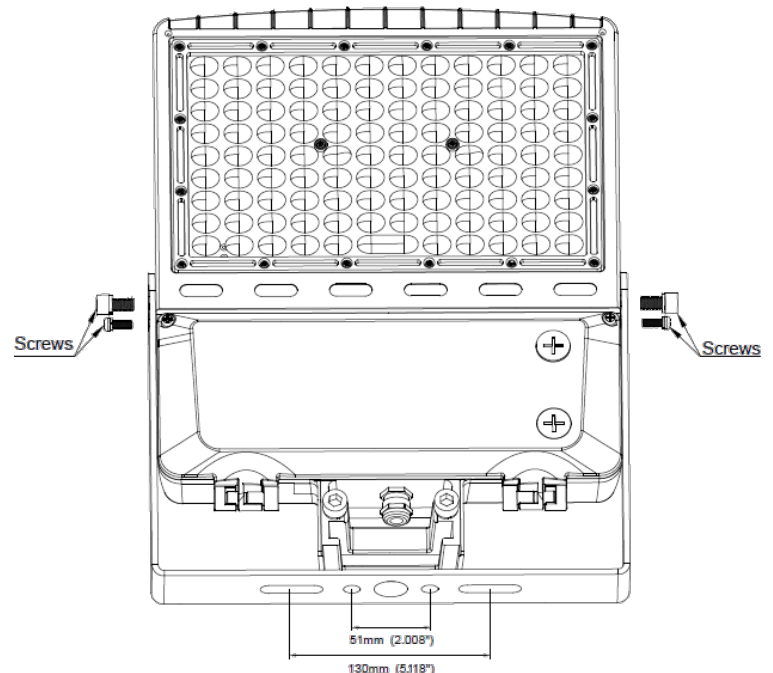
- a. Loosen the pivot bolts and angle locking screw.
 - b. Adjust the fixture to desired angle.
 - c. Tighten pivot bolts and angle locking screw.
1. Mount the fixture onto the surface using the hole pattern provided on the trunnion bracket.
 2. Loosen the center bolts and set screw.
 3. Rotate the fixture to the desired angle position and tighten the center bolts.
 4. Connect the wires according to the wire diagram.
 5. Tighten the 4 hexagon screws with a wrench.



U-BRACKET MOUNTING:

CAUTION: UL and CUL listed or CSA certified liquid tight cord grip suitable for use with 3 conductor type STW flexible cord shall be used for connection to a wet location outlet box provided by others.

- a. Loosen the pivot bolts and angle locking screw.
 - b. Adjust the fixture to desired angle.
 - c. Tighten pivot bolts and angle locking screw.
1. Loosen the angle locking screw.
 2. Adjust the fixture to the desired angle.
 3. Connect the wires according to the wire diagram.
 4. Tighten the angle locking screw.



WATTAGE ADJUSTABLE AND COLOR TEMPERATURE ADJUSTABLE TABLE SWITCH SETTING:

Must use wide cross head to open!!!

(Only for models with wattage adjustable & CCT adjustable function.)

1. Unscrew the G1/2 cover on the fixture side with a wide cross head.
2. Select the desired wattage and color temperature.
3. Screw the G1/2 cover back onto the fixture side with a wide cross head.

