

# LEDone<sup>®</sup>

## LOC Strip Light Series Installation Guide

**SAFETY INSTRUCTIONS:** Read instructions carefully before attempting to install fixture.

- All wiring should be performed by a qualified electrician.
- Disconnect power before installing or servicing. This fixture must be wired in accordance with the National Electrical Code and applicable local codes and ordinances.

### CAUTION: Risk of fire

- **WARNING:** Make certain power is OFF before installing or maintaining fixture. No user serviceable parts inside.
- **WARNING:** Suitable for 9/16 or 15/16 flat tee grid in both insulated ceilings and non-insulated ceilings.
- **WARNING:** Do NOT handle energized fixture when hands are wet, when standing on wet or damp surfaces or in water.
- **WARNING:** Vapor barrier must be suitable for 90°C.
- **WARNING:** Fixture to be independently supported to building structure.

### CLEANING & MAINTENANCE:

CAUTION: Be sure the fixture temperature is cool enough to touch. Do NOT clean or maintain while the fixture is energized.

1. Clean glass lens with non-abrasive glass cleaning solution.
2. Do NOT open fixture to clean the LED. Do NOT touch the LED.

Note: These instructions do not cover all details or variation in equipment, nor do they provide for every possible situation during installation, operation or maintenance.

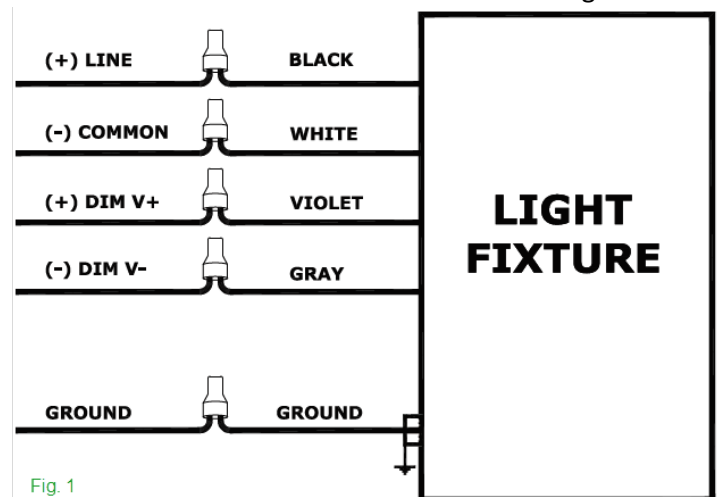
### TROUBLESHOOTING:

1. Check that the line voltage at fixture is correct. Refer to wiring directions.
2. Check that the fixture is grounded properly.

### 0-10V DIMMABLE WIRING:

Universal voltage driver permits operation at 120V through 347V, 50/60Hz. 0-10V control wires must be rated for 300V minimum. For 0-10V dimming, follow the wiring directions in Fig. 1.

1. Connect the BLACK fixture lead to the (+) LINE supply lead.
2. Connect the WHITE fixture lead to the (-) COMMON supply lead
3. Connect the GROUND wire from fixture to the supply ground. Do NOT connect the GROUND of the dimming fixture to the output.
4. Connect the VIOLET fixture lead to the (V+) DIM lead.
5. Connect the GRAY fixture lead to the (V-) DIM lead.

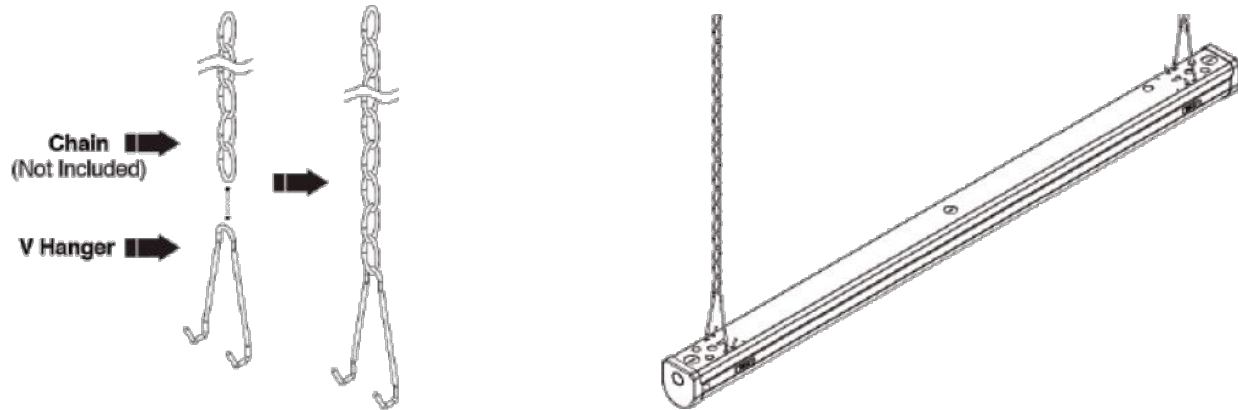


## INSTALLATION OPTIONS:

CAUTION: Turn off electrical power at fuse or circuit breaker box before wiring fixture to the power supply.

### CHAIN HANGER

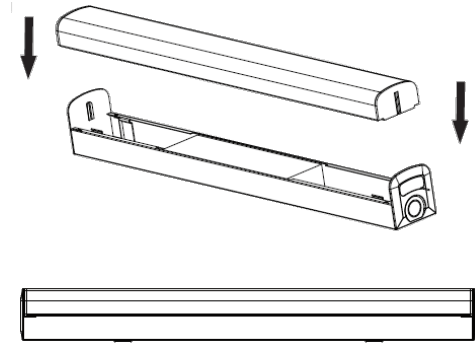
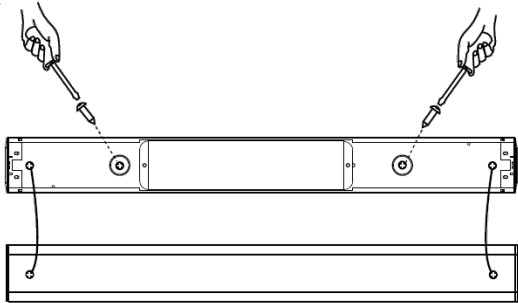
1. Mount chain to ceiling.
2. Connect chain to V hanger as pictured below.
3. Connect the wiring to the fixture.



Assemble the V hanger and chain as shown.

### SURFACE MOUNT

1. Open fixture and screw fixture base to mounting surface.
2. Wire the fixture.
3. Re-attach lens to close fixture.



### J-ADAPTOR

1. Place fixture on mounting surface.
2. Install J-adaptor on each side of the cable hole of fixture (**Fig. 1**)
3. Connect and complete (**Fig. 2**)

Fig. 1

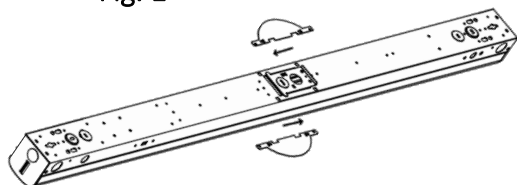
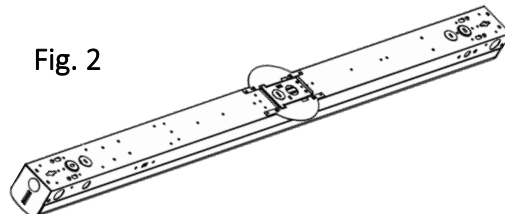


Fig. 2



### 3. LINKING

- Place 2 pieces of the strip lights together so that End A is next to End B. **(Fig. 1)**
- Open the safety cover of End A and End B to show the female 5 pin. **(Fig. 2)**
- Use the male 5 pin connector to link End A to End B together. **(Fig. 3)**
- Fix the connection with a H-bracket and screw. **(Fig. 4)**

Fig. 1

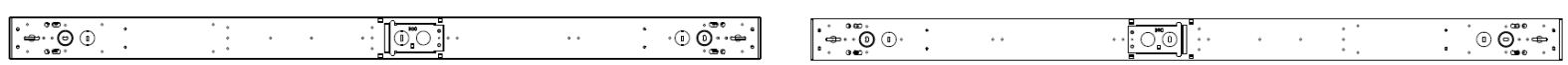


Fig. 2

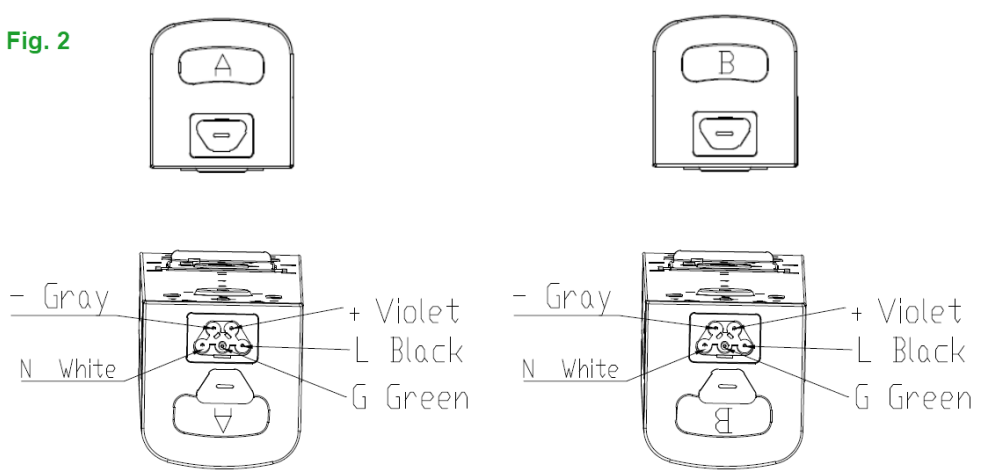


Fig. 3

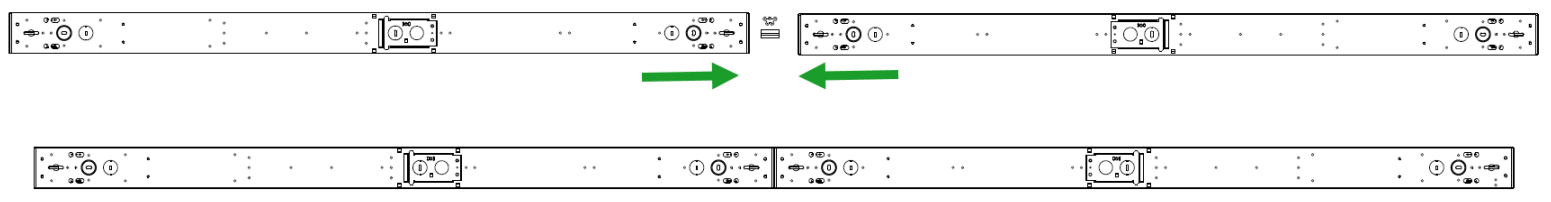


Fig. 4

