

LED Double Squared Emergency Light Series



FEATURES

- Adjustable heads for aiming light where needed
- Tilt: +25° / -90°
- Head Rotation: 330°
- Emergency Back-up: 2 hours
- 1W per head
- Long lasting LEDs
- Overcharge and over discharge protection
- Easy installation and maintenance
- 50,000 hours lifetime

SUITABLE APPLICATIONS

- Stairways
- Hallways
- Doorways
- Bathrooms
- Corridors

CONSTRUCTION:

High impact UV stabilized flame rated thermoplastic housing (UL94 V-0) Nickel Cadmium (Ni-Cad) battery. Test switch and AC-On indicator included. 2-press button to remove backplate for easy install.

WARRANTY:

5-year limited warranty. Actual performance may differ as a result of end-user environment and application.

ELECTRICAL:

Available as 120V-347V AC input. 0°C to 40°C, 32°F to 104°F

INSTALLATION & MOUNTING:

Surface wall or ceiling mounting.

Maximum mounting height: 10.4FT (3.1m)



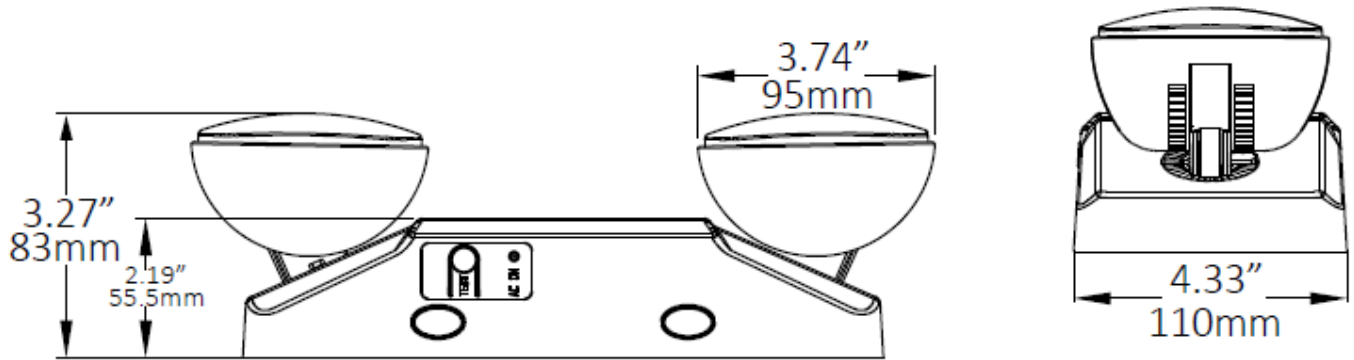
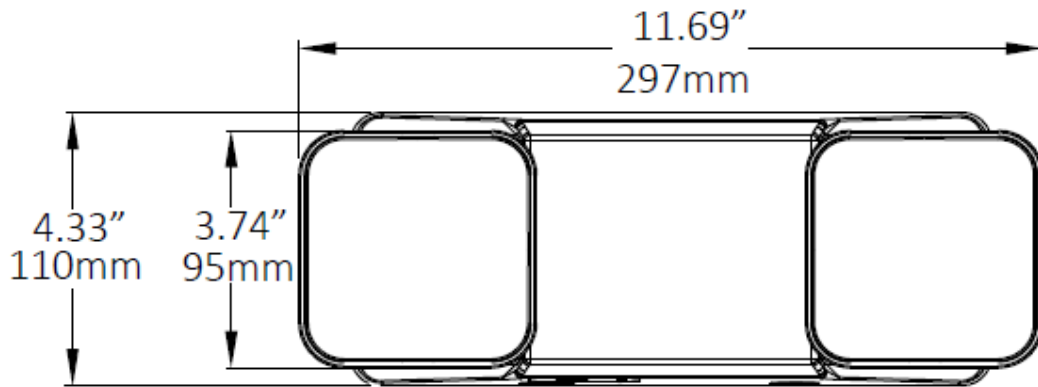
+25°/-90° tilt with 330° rotation

MODEL NUMBER	WATTAGE	EMERGENCY WATT	EFFICACY	BATTERY
LOC-EMGY-DSQBE	2W	1.5W	100LM/W	Ni-cad 3.6V/1200mAh



Series	Head Light Number	Shape	Style
LOC-EMGY	D = Double Head	SQ = Square	BE = Bug Eye

MEASUREMENTS



MODEL	QUANTITY	WEIGHT	UPC CODE
LOC-EMGY-DSQBE	1	1.32 lbs	00810050940214

