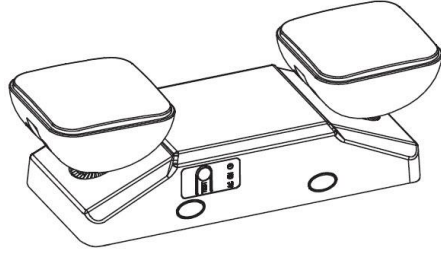


LEDone®

LOC-EMGY-DSQBE Series Installation Guide



SAFETY INSTRUCTIONS: Read instructions carefully before attempting to install fixture.

- All wiring should be performed by a qualified electrician.
- Disconnect power before installing or servicing. This fixture must be wired in accordance with the National Electrical Code and applicable local codes and ordinances.
- Do NOT use this equipment for other than its intended use.

CAUTION: Risk of fire

- **WARNING:** Make certain power is OFF before installing or maintaining fixture. No user serviceable parts inside.
- **WARNING:** Equipment should be mounted in locations and at heights where it will not be subject to tampering by unauthorized personnel. Maximum mounting height is 10.4FT (3.1m).
- **WARNING:** Do NOT use outdoors.
- **WARNING:** Do NOT mount near gas or electric heaters.
- **WARNING:** Do NOT let power cords touch hot surfaces.
- **WARNING:** The use of auxiliary equipment is NOT recommended by the manufacturer. It will void the unit's warranty.

IMPORTANT:

Battery in this unit may not be fully charged at the time electrical connection is made. Let the battery charge for at least 24 hours before first use.

- After charge, normal operation of this unit should take effect.
- To check, press the "Test" button. The light inside of the unit should turn on.
- When following these instructions, the lamp will be in accordance with the requirements of CSA standard C22.2 NO. 141.

CLEANING & MAINTENANCE:

CAUTION: Be sure the fixture temperature is cool enough to touch. Do NOT clean or maintain while the fixture is energized.

- Clean lens with non-abrasive cleaning solution.
- Do NOT open fixture to clean the LED. Do NOT touch the LED.

Note: These instructions do not cover all details or variation in equipment, nor do they provide for every possible situation during installation, operation or maintenance.

OPERATION:

1. During an electrical power failure, the lamps will automatically come on for a minimum of 120 minutes (2 hours).
2. To test, depress the "Test" button. The emergency lamps will illuminate. When the switch is released, the lamps will go off.

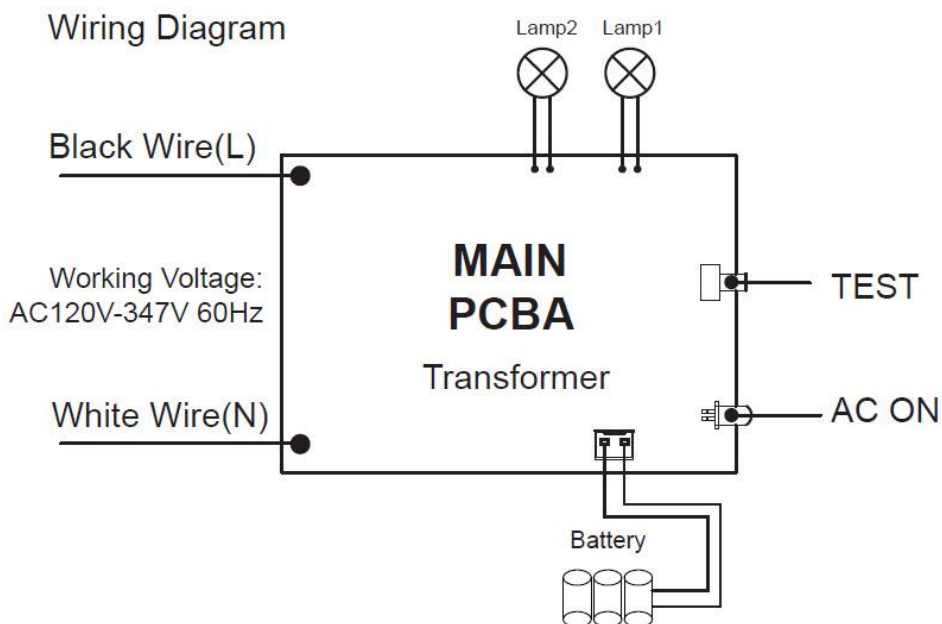
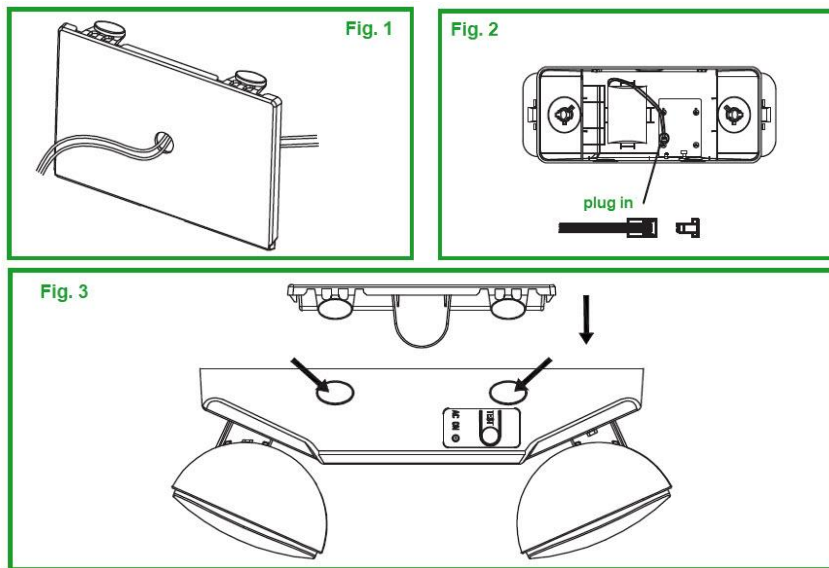


J-BOX MOUNTING: Maximum mounting height is 10.4FT (3.1m).

1. Feed the fixture leads through the main bottom case and connect to AC power supply. (Fig. 1)
2. Connect the wires through the J-Box, main bottom case on the J-Box and secure the screws.
3. Connect the battery only after continuous AC power can be provided to the unit (Fig. 2)
4. Align snaps and push housing directly into the main bottom case (Fig. 3). Apply continuous AC power and press the "Test" button to check the light.

CONDUIT MOUNTING: Maximum mounting height is 10.4FT (3.1m).

1. Secure the main bottom case to the wall surface. Put wires through the hole in conduit flange to make the conduit connection.
2. Connect the battery only after continuous AC power can be provided to the unit (Fig. 2)
3. Align snaps and push housing directly into the main bottom case (Fig. 3). Apply continuous AC power and press the "Test" button to check the light.



Emergency Run Time: 120 minutes