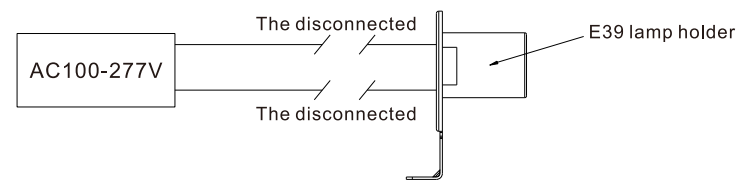
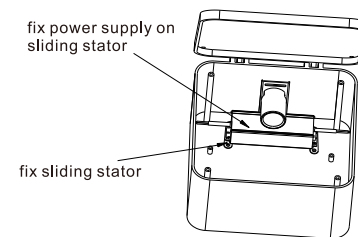


2. The original input wire is disconnected from E39 lamp holder.

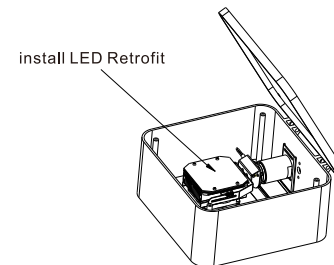


3. Fix LED driver on enclosure by 2 adjustable bracket. fix sliding stator. fix power supply on sliding stator.

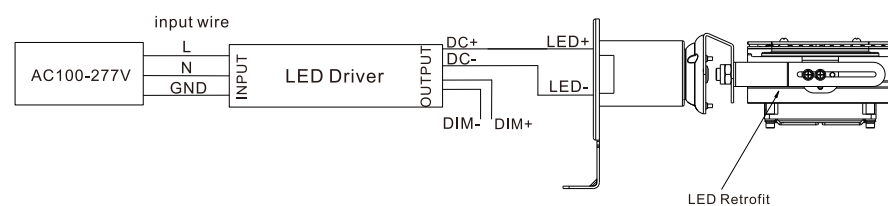


4. Screw LED retrofit into E39 lamp holder.

Adjust the U shape bracket to proper emitting angle  
Connect optics by fast-connector



5. Install wire diagram.



6. Close cover and fasten screws, installation finish.

### Installation requirement

1. Power off before installation;
2. Power tray of shoebox must be dismantled, otherwise power supply installation and lamp cooling must be affected;
3. Protection grade of the product must be determined by protection grade of original housing; before installation, please ensure protection grade of housing reach actual using requirement.

### Notice

1. Please first read the product specification carefully, make sure the using environment conform to specification, then it can be used;
2. Please confirm the input voltage, frequency before use;
3. This product must be installed by professionals;
4. If there is any damage to the power wire or shell of the product, it should be taken as defective product and do not use it;
5. Dangerous high voltage, non-professionals are not allowed to maintain the product;
6. If external soft cable or soft wire of the light is damaged, it should be replaced by manufacture or service agent or personnel with similar qualification to avoid danger.

# LEDone®

## Retrofit User Manual

### Features

1. An extreme economic retrofit, 50% cost down compared to changing whole luminaries;
2. Retrofit is able to work in a sealed fixture and thermal detector could protect the LED while fan fail to work;
3. Standard E39 (Mogul) base, great compatibility;
4. Up to 130lm/w;
5. Using small drive current, LED package will have a longer lifespan.

### Application:

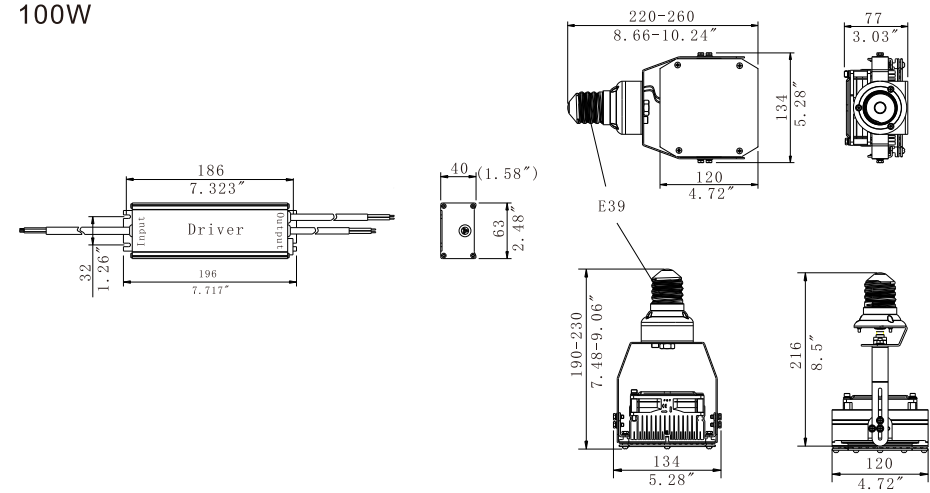
Replacement of traditional HPS and MH LEDs in gas station lamp, highbay light, wallpack, street lamp, project lamp, shoebox, etc.

Web : [www.ledonedistribution.com](http://www.ledonedistribution.com) Tel: 1-510-770-1189

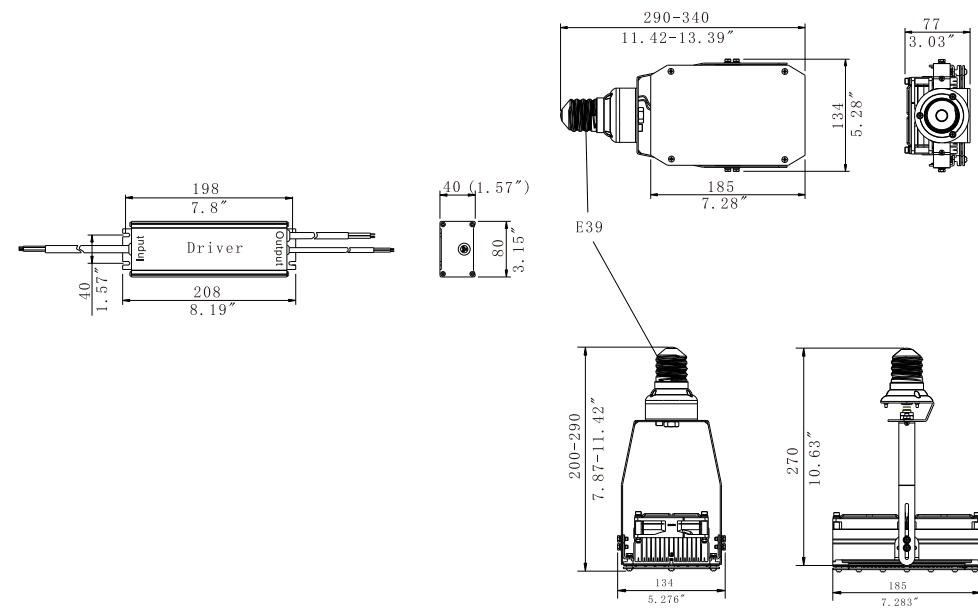
To ensure proper usage of the lamps, please carefully read and keep this instruction manual for future reference.

**Dimension (Unit:mm/inch)**

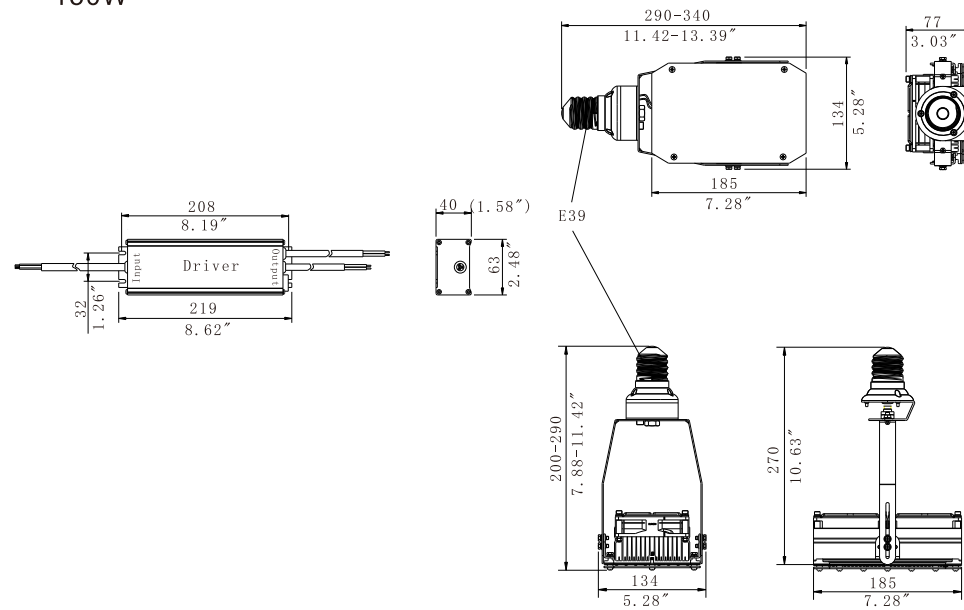
**100W**



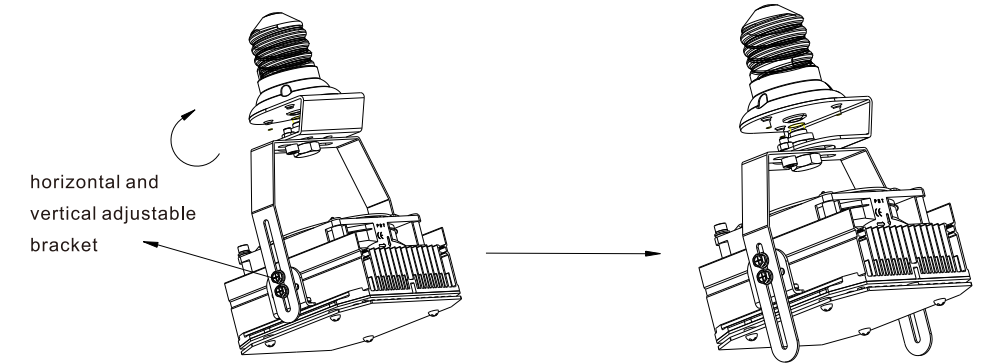
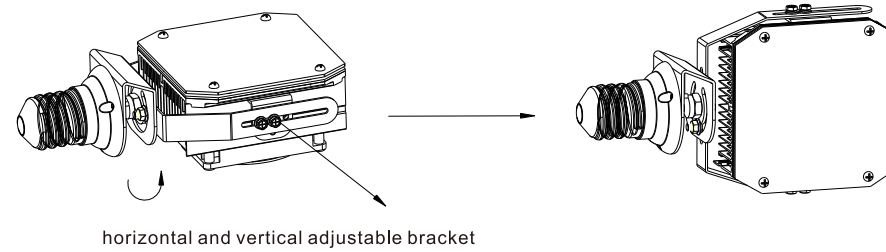
**180W**



**150W**



**Adjustment Method**



**Installation and wiring**

1. Open Luminaire, remove old lighting source (MH, HPS...) ballast, reflector power tray and other accessories beside E39 lamp holder.

