

LOC-SQCP-MWMCCT Series Installation Guide

SAFETY INSTRUCTIONS: Read instructions carefully before attempting to install fixture.

- All wiring should be performed by a qualified electrician.
- Disconnect power before installing or servicing. This fixture must be wired in accordance with the National Electrical Code and applicable local codes and ordinances.
- Proper grounding is required to ensure personal safety.
- This fixture is for outdoor use and should not be used in areas with limited ventilation or high ambient temperatures.

CAUTION: Risk of fire

- **WARNING:** Make certain power is OFF before installing or maintaining fixture. No user serviceable parts inside.

CLEANING & MAINTENANCE:

CAUTION: Be sure the fixture temperature is cool enough to touch. Do NOT clean or maintain while the fixture is energized.

1. Clean glass lens with non-abrasive cleaning solution.
2. Do NOT open fixture to clean the LED. Do NOT touch the LED.

Note: These instructions do not cover all details or variation in equipment, nor do they provide for every possible situation during installation, operation or maintenance.

TROUBLESHOOTING:

1. Check that the line voltage at fixture is correct. Refer to wiring directions.
2. Check that the fixture is grounded properly.

MOUNTING:

1. Install the mounting plate to a sturdy mounting surface.
2. Tighten the 4 screws (Fig. 1A).
3. Hang the fixture on the square mounting bracket.
4. Connect the wires correctly.
5. Slide the fixture horizontally into the 4 slots of the mounting plate (Fig. 1B).
6. Screw the safety clamp of the mounting plate on the fixture side (Fig. 2).

Fig. 1A

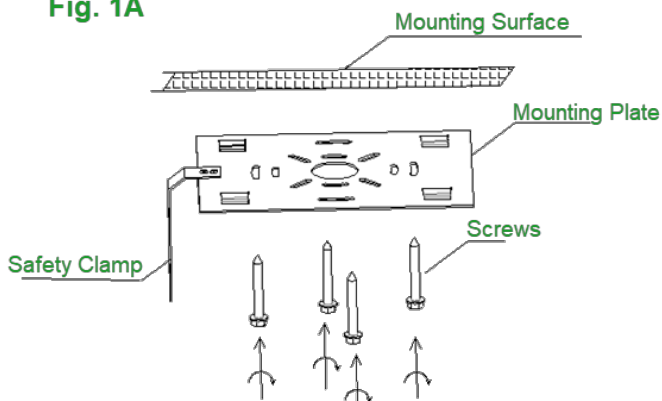


Fig. 1B

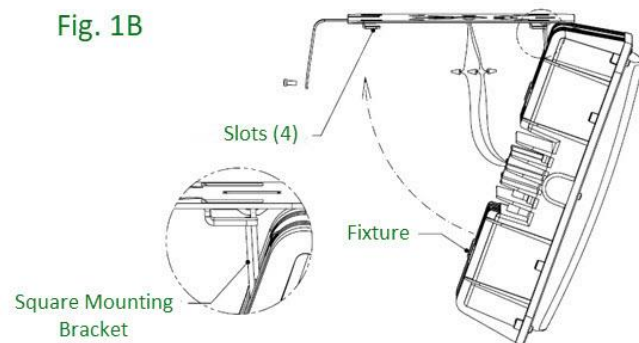
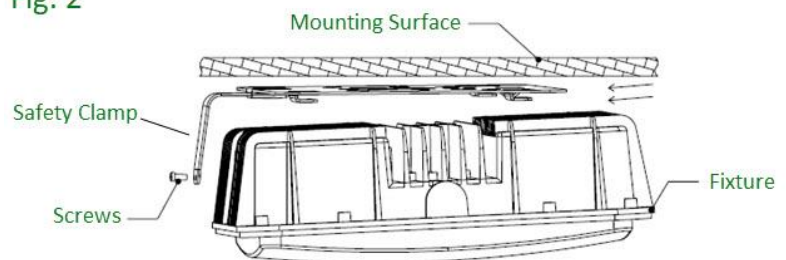
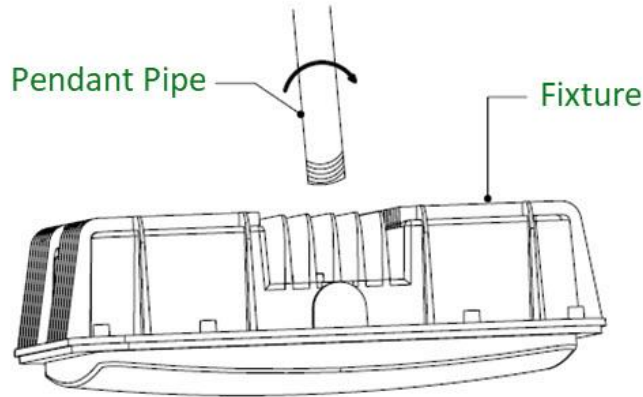


Fig. 2



PENDANT MOUNTING:

1. Feed fixture wires through the pendant pipe.
2. Mount the pendant pipe into the top of the fixture.



WIRING:

Universal voltage driver permits operation at 120V through 277V, 50/60Hz.

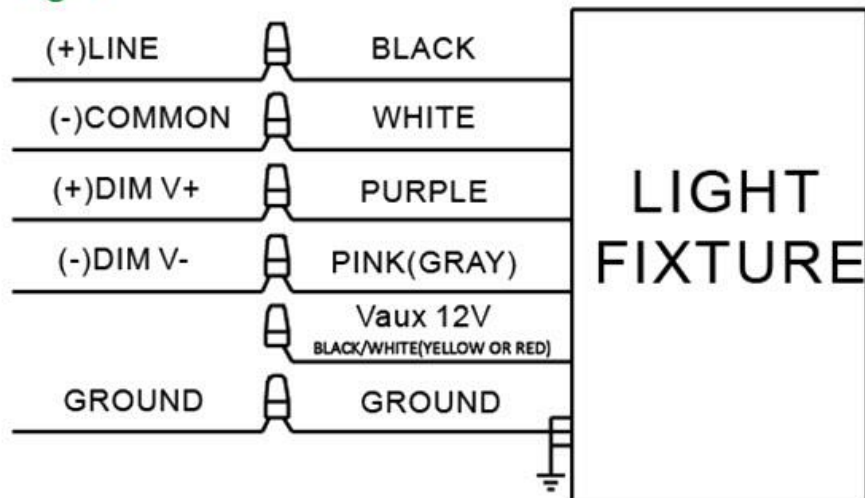
1. Connect the BLACK fixture lead to the (+) LIVE line supply lead.
2. Connect the WHITE fixture lead to the (-) COMMON supply wire.
3. Connect the GROUND wire from fixture to the supply ground.

0-10V DIMMABLE WIRING:

Universal voltage driver permits operation at 120V through 277V, 50/60Hz. For 0-10V dimming, follow the wiring instructions in Fig 3.

4. Connect the BLACK fixture lead to the (+) LINE supply lead.
5. Connect the WHITE fixture lead to the (-) COMMON supply lead.
6. Connect the GROUND wire from fixture to supply ground. DO NOT connect the GROUND of the dimming fixture to the output.
7. Connect the PURPLE fixture lead to the (V+) DIM lead.
8. Connect the PINK (GRAY) fixture lead to the (V-) DIM lead.
9. Cap the Vaux 12V fixture lead if present, Do NOT connect.
10. The driver comes with dimmable leads. If it is unused, make sure the leads are properly capped (if applicable).

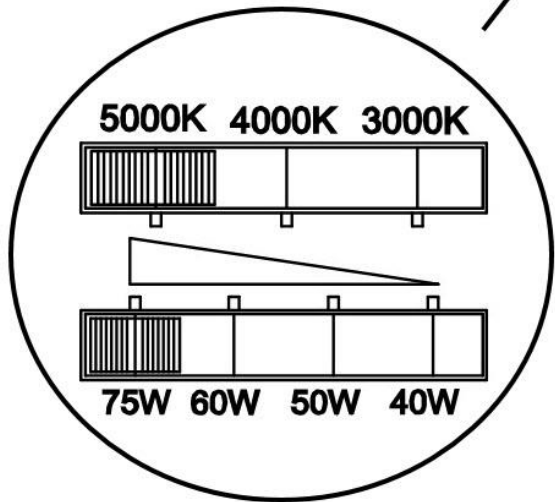
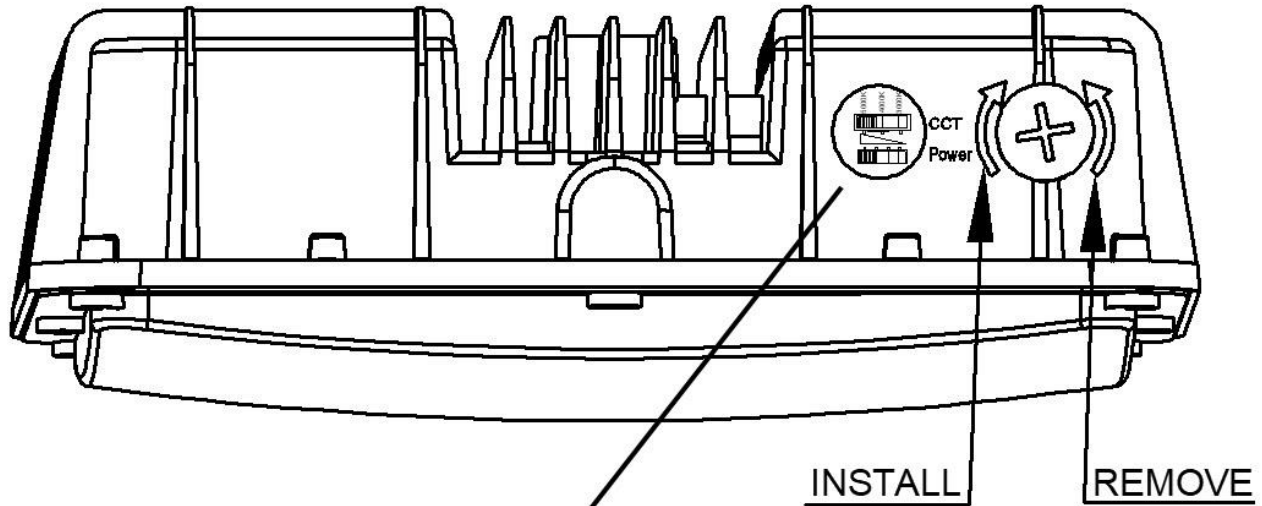
Fig. 3



WATTAGE AND CCT ADJUSTABLE TABLE SWITCH SETTING:

(Only for models with wattage and CCT adjustable functions.)

1. Unscrew the G1/2 cover on the fixture side
2. Select the Wattage and CCT desired.
3. Screw the G1/2 cover back on the fixture side.



Default Wattage: 75W

Default CCT: 5,000K

LOC-SQCP-MW(40/50/60/75)MCCT(30/40/50)DLV	
Wattage Options	CCT Options
75W (LV1)	3,000K
60W (LV2)	4,000K
50W (LV3)	5,000K
40W (LV4)	