

LED Residential Multi CCT Down Light



4"



5/6"

FEATURES

- Default CCT: 5,000K
 - 2,700K / 3,000K / 3,500K / 4,000K / 5,000K
- Commercial grade
- IP20 rated
- 50,000 hours lifetime

SUITABLE APPLICATIONS

- Kitchens
- Bedrooms
- Bathrooms
- Corridors
- Hallways
- Museums

CONSTRUCTION:

Downlight body and endcaps are both fabricated from aluminum for maximum rigidity.

OPTICAL SYSTEM:

Frosted lens. 120° beam angle

WARRANTY:

5-year limited warranty. Actual performance may differ as a result of end-user environment and application.

ELECTRICAL:

Uses a -20°C to 40°C case temperature drive. Available as 120V input.

INSTALLATION & MOUNTING:

Use spring clips to install in place.

DIMMING:

Triac Dimming.



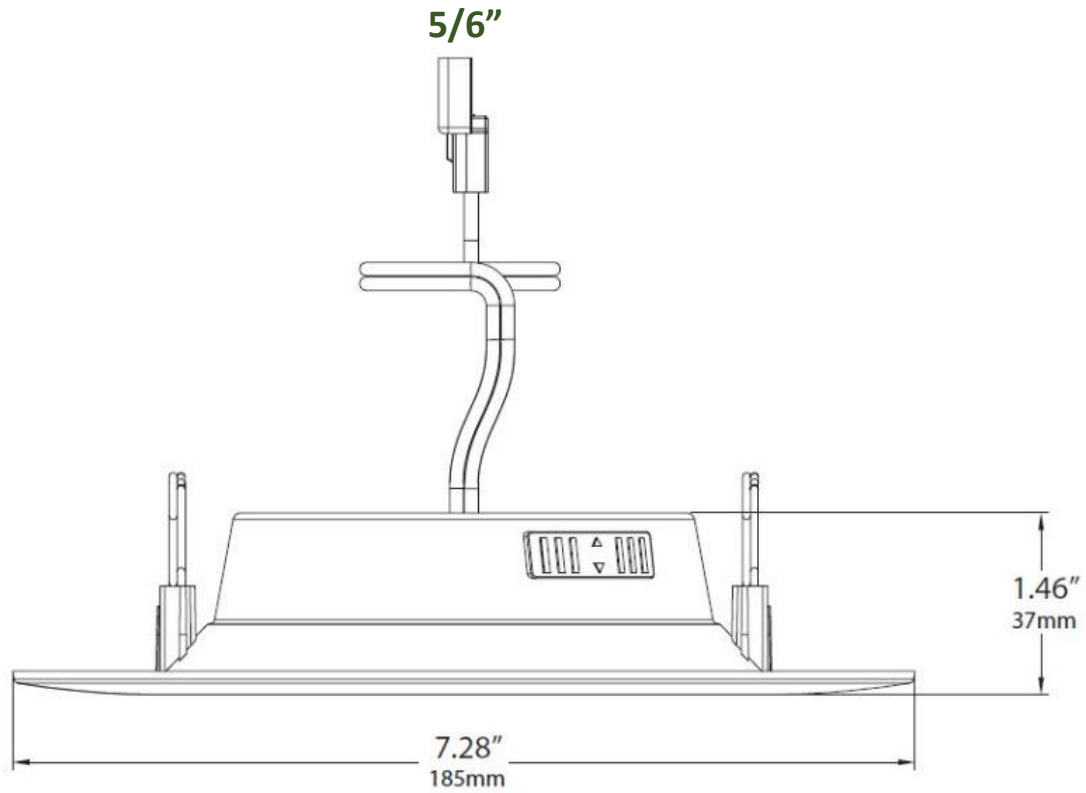
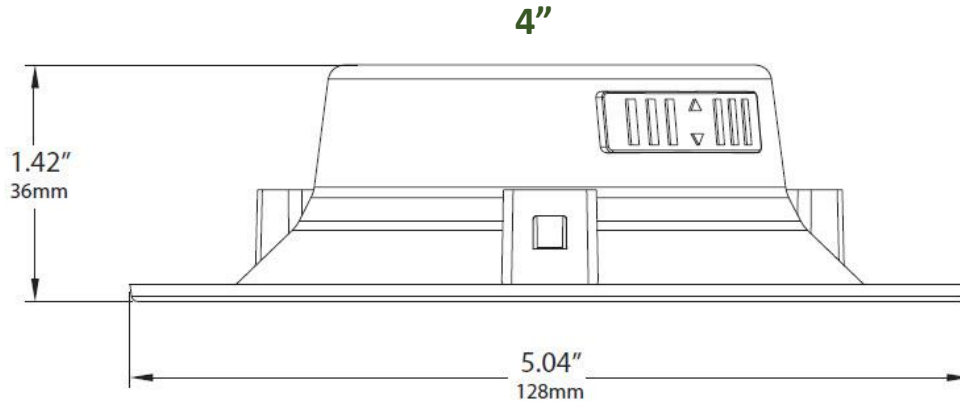
MODEL NUMBER	SIZE	WATTAGE	LUMENS	EFFICACY	CRI	POWER FACTOR	REPLACES
LOC-4RDL-7WMCCT(27/30/35/40/50)D	4"	7W	650LM	92.9LM/W	83	0.82	
LOC-56RDL-9WMCCT(27/30/35/40/50)D	5/6"	9W	850LM	94.4LM/W	83	0.79	

Energy Star ID:

- LOC-4RDL-7WMCCT(27/30/35/40/50)D – 2401834
- LOC-56RDL-9WMCCT(27/30/35/40/50)D - 2402037

Series	Size	Wattage Options	CCT Options
LOC-#RDL	4" 5/6"	7W 9W	2,700K 3,000K 3,500K 4,000K 5,000K

MEASUREMENTS



MODEL	QUANTITY	WEIGHT	UPC CODE
LOC-4RDL-7WMCCT(27/30/35/40/50)D	1	lbs	00810050942386
LOC-56RDL-9WMCCT(27/30/35/40/50)D	1	lbs	00810050942393

