

LEDone[®]

LOC-56DL-12WMCCT Installation Guide

SAFETY INSTRUCTIONS: Read instructions carefully before attempting to install fixture.

- Fixture must be wired in accordance with the National Electrical Code and all applicable local codes.
- This product must be installed in accordance with the applicable installations code by a person familiar with the construction and operation of the product and the hazards involved.

CAUTION: Risk of fire

- **WARNING: Risk of electrical shock!** Disconnect power before installing or servicing.
- **WARNING:** No user serviceable parts inside. To avoid electrical shock, do **NOT** disassemble the product.
- **WARNING:** Risk of fire or electric shock, installation requires knowledge of luminaires electrical systems. If not qualified, do **NOT** attempt installation. Contact a qualified electrician.
- **WARNING:** Do **NOT** make or alter any open holes in an enclosure of wiring or electrical components during kit installation.
- **WARNING:** To prevent wiring damage or abrasion, do **NOT** expose wiring to edges of sheet metal or other sharp objects.

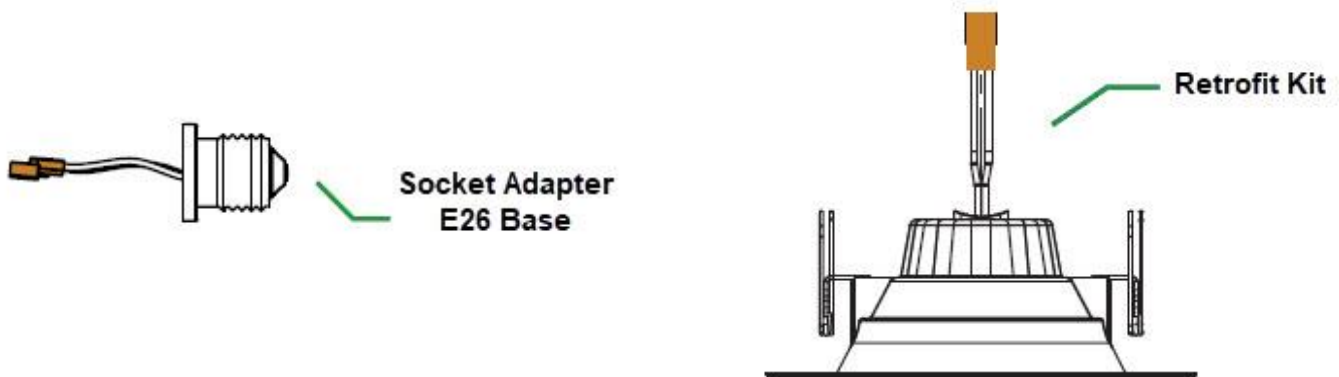
CLEANING & MAINTENANCE:

CAUTION: Be sure the fixture temperature is cool enough to touch. Do **NOT** clean or maintain while the fixture is energized.

1. Clean frosted polystyrene lens and fixture with non-abrasive cleaning solution.
2. Do **NOT** open fixture to clean the LEDs. Do **NOT** touch the LEDs.

Note: These instructions do not cover all details or variation in equipment, nor do they provide for every possible situation during installation, operation or maintenance.

INSIDE THE BOX:



ADJUSTABLE CCT BUTTON:

- Adjust the color temperature by switching the button on the back.
 - The CCT options are 2,700K / 3,000K / 3,500K / 4,000K / 5,000K
- Set your preferred color temperature before you install the light.

E26 BASE RETROFIT INSTALLATION:

1. Turn power off.
2. Remove mounting bracket and plate from inside existing recessed housing (if installed).
3. Remove socket from plate (if installed).
4. Screw E26 adaptor into existing base socket in housing. **(Fig. 1)**
5. Connect the two plugs together. **(Fig.2)**
6. Squeeze the torsion arms together and insert into the torsion spring slots (or receiver brackets) inside the can.
7. Tuck all wires into the can and carefully push in the retrofit kit. **(Fig. 3)**

Note: To provide enough room in shallow cans, carefully position the socket adapter and socket adjacent to the long side of the LED driver prior to inserting the retrofit trim into the can.

Fig. 1

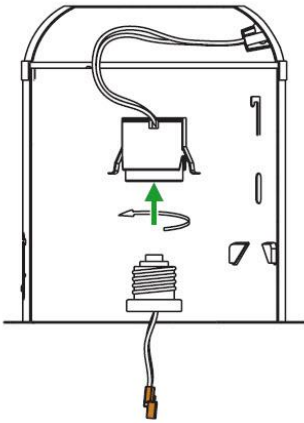


Fig. 2

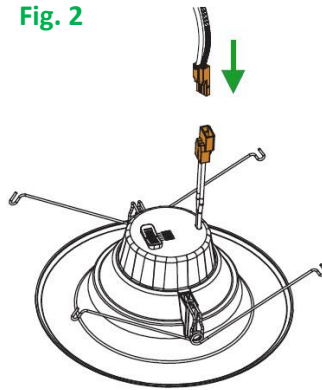


Fig. 3

