



JLL-FL12A



Photocell



Available

LM79 LM80

Product Description

- ▶ High pressure die casting housing ,anti-static powder painting.
- ▶ High thermal conductive material and high efficiency cooling system.
- ▶ High efficient LM80 tested COB ensures excellent performed.
- ▶ The fixture installation angle could be adjusted easily upon request.
- ▶ IP Rating: IP65

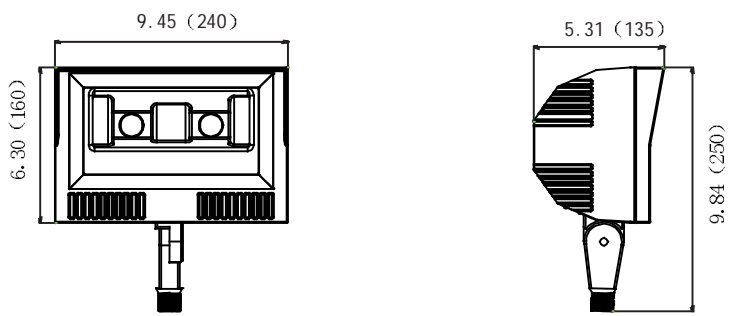
Application

Gymnasiums, Billboards, Buildings, Parks, Parking Lots, etc.



Input Power	Delivered Lumens (5000K)	ETL	DLC	Replaces	Input Voltage	CCT (K)	CRI	Power Factor	THD	Installation
50W	5,500LM	✓	✓	150-250W HID	120-277V 50/60HZ	4000 5000	>75	>0.92	<15%	Knuckle or U-Bracket
70W	7,700LM	✓	✓	120W HID						

Inch(mm)



Distribution Curve Flux

