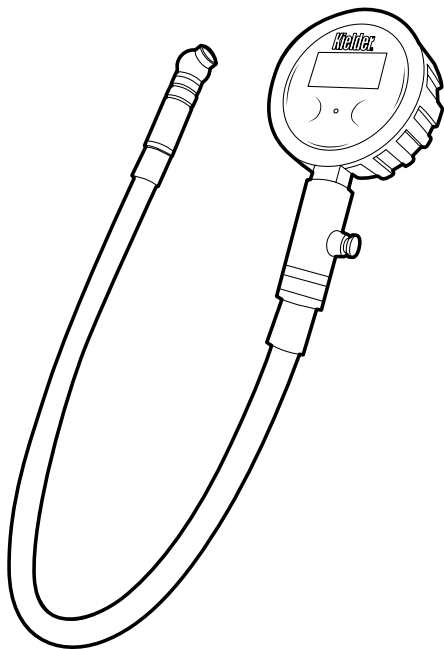




KWT-355

Kielder[®]
DIGITAL TYRE PRESSURE GAUGE



ORIGINAL INSTRUCTION MANUAL

For use with all variants of KWT-355 Digital Tyre Pressure Gauge

INSTRUCTIONS

NOTES:

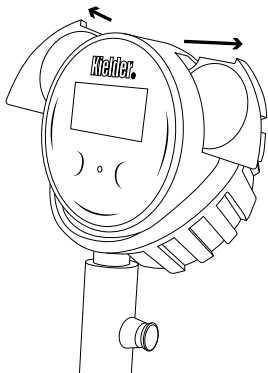
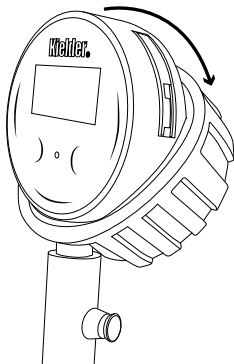
1. Pressure HOLD feature is disable from factory. To enable pressure HOLD feature, please see check valve spring assembly instructions.
2. When taking tyre pressure measurement do not remove air chuck from valve. See step 4 for correct method.

STEPS

1. Consult your vehicle's manual for correct tyre pressure. Check pressure when tyres are cool.
2. Push "On" button gauge comes on with lighted display This gauge reads in four different units: PSI, BAR & KPA, KGF/CM2 and should display "0" when on standby in any of these units.
3. To select a different unit, press "UNIT" button and see bottom side of display until desired unit has been selected.
4. Press valve connector firmly onto tyre stem ensuring no air leakage. The exact air pressure value of your tyre will be displayed.
5. To check the next tyre. REPEAT steps 4
6. The display will remain ON for proximately 2 and a half minutes and automatically switch OFF.
7. Backlight stays on for 1 minute.
8. If pressure reading seems unusually low, repeat above steps, ensuring that no air escapes between gauge chuck and tyre valve stem.

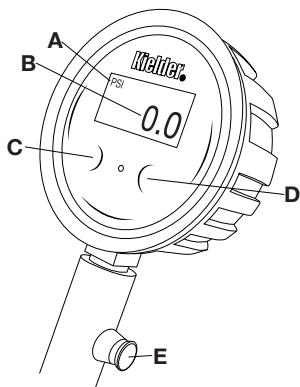
BATTERY MAINTENANCE

To replace the battery, remove the rubber covering. Then slide both battery compartments out to reveal 2 CR2032 batteries.



FEATURES

- A Units display
- B Pressure display
- C On / off button
- D Unit button
- E Pressure release button



Warranty & Support

The Kielder 1 Year Warranty

Warranty Statement

- Each Kielder product is thoroughly inspected during production and is guaranteed to perform as specified. The product will be free of defects, in both workmanship and materials, for the duration of the warranty from the date the product is purchased.
- The warranty becomes effective at the date of purchase (or the date of delivery if this is later).
- In the event that your gauge needs repairing or replacing, you must provide proof of purchase/delivery before any work can be carried out on your gauge. Without this, any work carried out may be chargeable.
- If your product requires attention from our engineers, we aim to have it collected & repaired within 7-10 working days.
- The repair or replacement of your gauge under warranty will not extend the period of warranty.
- The warranty provides benefits which are additional to and do not affect your statutory rights as a consumer.

What is covered?

- The repair or replacement of your gauge (at Kielder's discretion), if your gauge is found to be defective due to faulty materials, workmanship or function within the warranty period (if any part is no longer available or out of manufacture, Kielder will replace it with a functional replacement part).
- Use of the gauge in the UK only, overseas users should contact the official importer or retailer for that country.

What is not covered?

- Kielder does not guarantee the repair or replacement of a product incurred as a result of normal wear and tear. This includes any moving parts which are prone to wear and tear, over time.
- Accidental damage, faults caused by negligent use or care, misuse, neglect, careless operation or handling of the product which is not as instructed in Kielder's Instruction manual.

- Batteries are excluded from the 1 Year warranty.
- Use of parts which are not assembled or installed in accordance with the instructions of Kielder.
- Use of parts which are not Kielder genuine components.
- Repairs or alterations carried out by parties other than Kielder.

How to contact Kielder

If you have any queries over your product, please don't hesitate to contact us via:

tools@kielder.co

or call customer services on:

0114 242 3794.

...and we'll be happy to help.

SPECIFICATION

SERVICE: Compatible gases

ACCURACY: +/- 1% FS, Grade A, ANSI/
ASME B40.7

RESOLUTION: 0.1 PSI

PRESSURE RANGE: 0 to 150 PSI (0.21
to 10.34 Bar)

TEMPERATURE LIMITS: 0 to 100 degree
F (-17.8 to 37.8 C)

CONNECTION: Tyre valve stem or
equivalent

DISPLAY: 3-1/2 digit, 3/8- LCD with
backlight

SCREEN SIZE: 1.50" measured
diagonally

CALIBRATION: To ensure accurate
readings we recommend calibrating your
tool with us once a year

SHUTOFF: 90 second

POWER REQUIREMENTS: (2) CR2032
battery, installed functional, user
replaceable.

WEIGHT: Hose style: 8oz (230g)

1 year warranty

KIELDER

Distributed by KIELDER WT

www.kielder.co

Designed in the UK

- Made in China

KielderWT[®]

KIELDER WORKS TEAM

Kielder WT Ltd
Sheffield, UK

T: +44 (0)114 242 3794

E: tools@kielder.co

W: <http://www.kielder.co>

