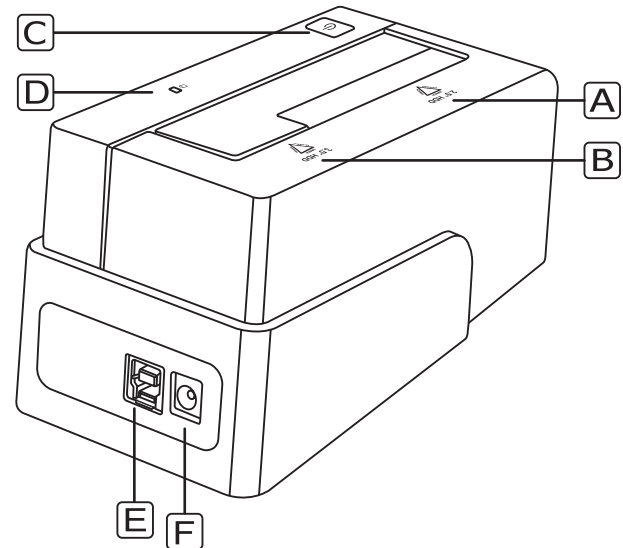


User Manual

USB 3.0 SATA Hard Drive Docking Station

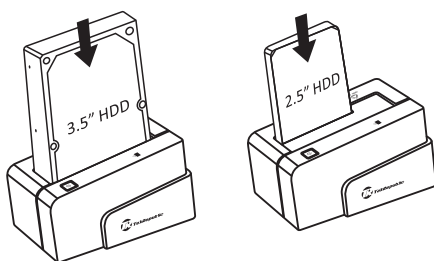
- A. 2.5" HDD
- B. 3.5" HDD
- C. ON/OFF Switch
- D. LED Indicator: Blue: Power; Red: Data Activity
- E. USB 3.0
- F. Power Plug



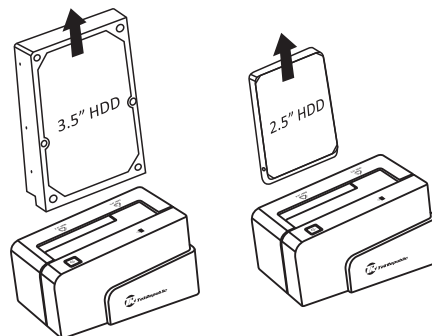
Specifications

USB Specification	USB 3.0/ 2.0/ 1.1/ 1.0 complaint
Data Rate	5Gbps, 480/12/1.5 Mbps
SATA Type	Support SATA I, II, III
HDD Compatible	2.5 / 3.5" SATA HDD and SSD
Dimension	5.63 x 3.19 x 3.11"
Weight	14.6 oz
Operating System Support	Windows XP, Vista, 7/8.1/10, Mac OS and Linux
Package Contents	1 X TUE-3100 1 X 12V2.5A Power Adapter 1 X USB Cable

Hard Drive Installation



Remove Hard Drive



LIMITED WARRANTY

Tek Republic provides a one year limited warranty for all of its products against defects in material and workmanship. During this period, Tek Republic will repair or replace any product which proves to be defective. However, Tek Republic will not warranty any product which has been subject to improper freight handling, shipping abuse, neglect, improper installation or unauthorized repair. The warranty will not cover products installed with components not approved by Tek Republic and products where the sealed assembly trace has been broken.

If you discover a defect, Tek Republic will, at its option, repair or replace the product at no charge to you provided you return it during the warranty period with freight charges pre-paid to Tek Republic. Before returning any product, you must obtain a Return Merchandise Authorization number (RMA). This RMA # must be clearly marked on the outside of the package you are returning for warranty service. Be certain to also include your name, shipping address (no PO Boxes), telephone number, and a copy of the invoice showing proof of purchase in the package.