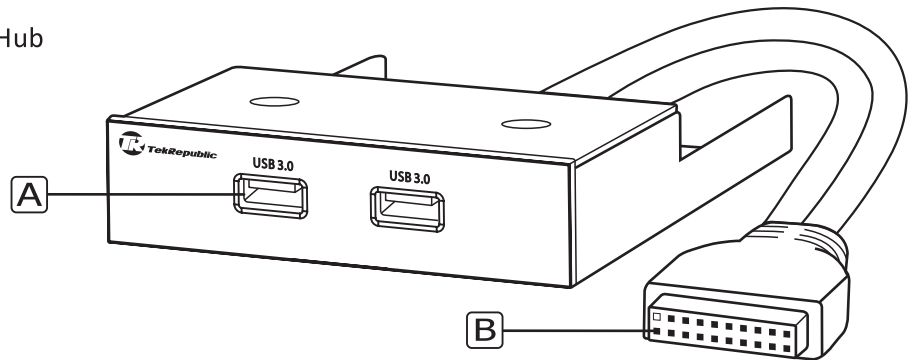


User Manual

TIU-3000 3.5 Internal USB 3.0 2 Port Hub

- A. USB Port
- B. USB 19-Pin connector



Specifications

Spec

Interface	USB 3.0
Data Transfer Speed	Up to 5Gbps Via USB 3.0
Power Requirement	USB Power
Connection	19pin USB 3.0 Port at the main board
Cable Length	2 ft

Physical Characteristics

Dimensions	4.86 x 4 x 0.98"
Weight	2.2 Oz

Package

Package Contents	TIU-3000
------------------	----------

LIMITED WARRANTY

Tek Republic provides a one year limited warranty for all of its products against defects in material and workmanship. During this period, Tek Republic will repair or replace any product which proves to be defective. However, Tek Republic will not warranty any product which has been subject to improper freight handling, shipping abuse, neglect, improper installation or unauthorized repair. The warranty will not cover products installed with components not approved by Tek Republic and products where the sealed assembly trace has been broken.

If you discover a defect, Tek Republic will, at its option, repair or replace the product at no charge to you provided you return it during the warranty period with freight charges pre-paid to Tek Republic. Before returning any product, you must obtain a Return Merchandise Authorization number (RMA). This RMA # must be clearly marked on the outside of the package you are returning for warranty service. Be certain to also include your name, shipping address (no PO Boxes), telephone number, and a copy of the invoice showing proof of purchase in the package.