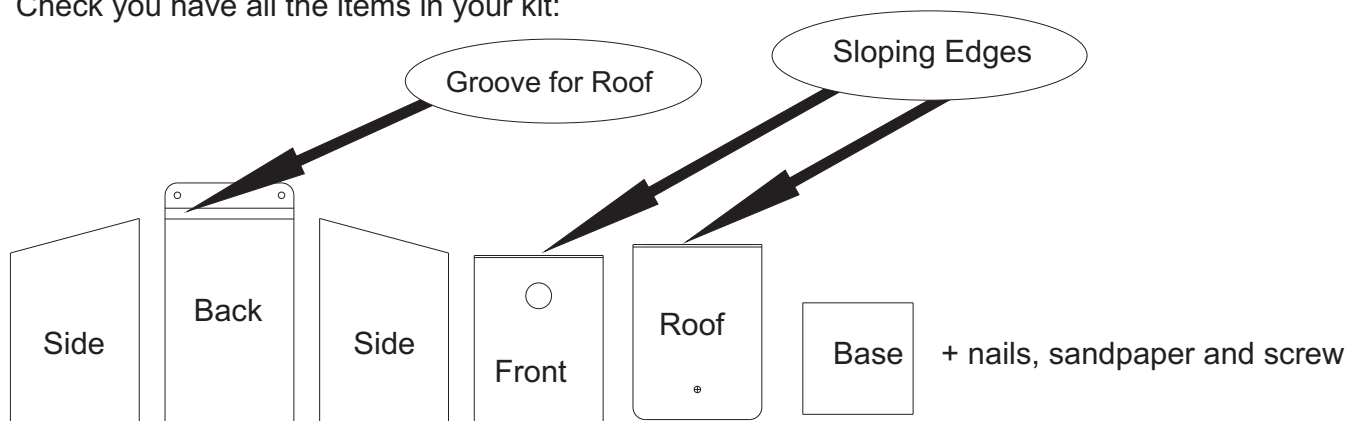


Assembly Instructions: Bird Box Kit (with Entrance Hole)

1. Check you have all the items in your kit:

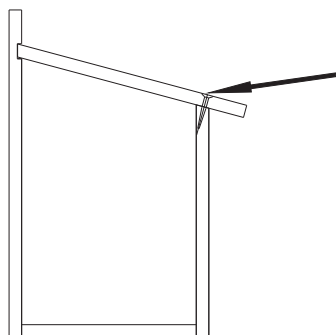
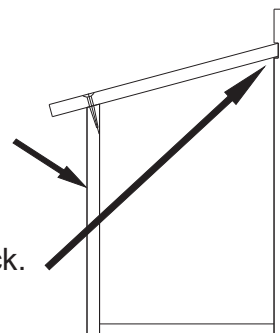


2. From the rear of the Back (ie the side without the groove), nail it to the 2 Sides

3. Position the Base between the 2 Sides and the Back, and nail it in place.

4. Fit the Front in front of the 2 sides and Base. Ensure that the sloping top is in line with the slope on the Sides. Nail the Front in place.

5. Without using nails, fit the top edge of the Roof into the groove in the Back.



6. Using the screw provided, screw the Roof down to the Front, using the hole already made in the Roof, and being careful that the screw goes into the edge of the plywood Front panel, and does not split it. If it shows signs of splitting, it is a good idea to drill a small hole into the top edge of the Front panel.

7. Your box should now look like this:
Using the sandpaper provided, smooth off all the edges.
You can use the box as it is (it is made from external grade plywood) or apply a light coat of water based wood preservative.

