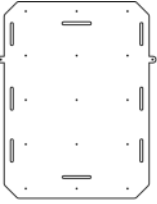
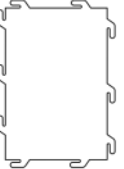

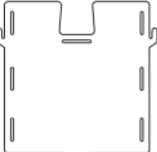








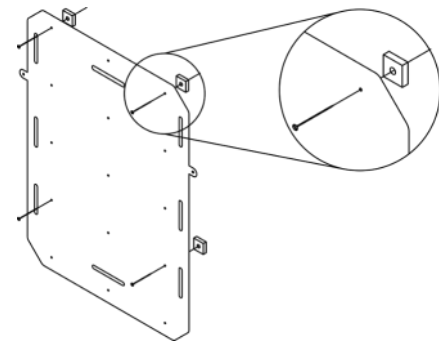


Interior Barn Owl Nest Box

Instructions

Check that you have all the parts for your barn owl box:

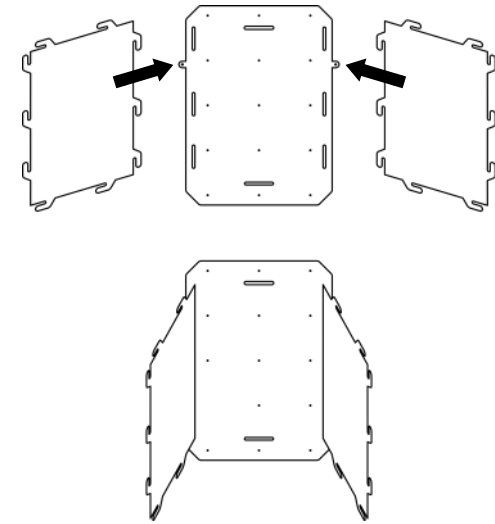
		Back
	X 2	Side
		Base
		Front
		Roof
	X 2	Platform Bracket
		Platform
		Platform Front Fence
	X 3	Security Clip
	X 4	Spacer



Stage 1.

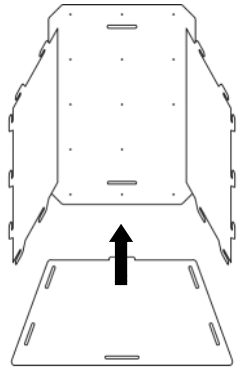
The first stage is to mount the **Back** panel. The Back panel has a variety of mounting holes to enable it to be mounted in a range of positions on joists, beams, walls etc. We suggest its fixed with a minimum of 3 fixing screws spaced out to ensure it is securely mounted.

When fixing the Back panel it is important to use the **Spacers** between the wall/beam/joist and the Back panel. This ensures there is clearance for the hooks on the Side panels which slot through the Back panel.



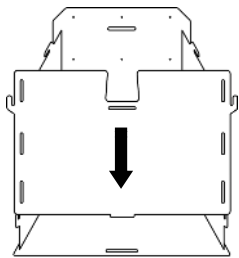
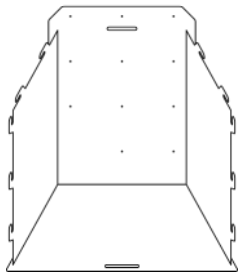
Stage 2.

Take the two **Side** panels and attach them to the Back panel. To do this push the hooks on the side panels through the slots on the Back panel, then slide the Side panels down.



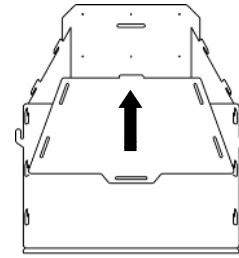
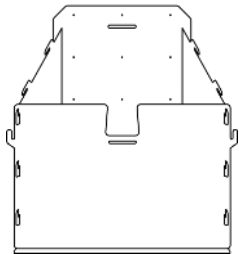
Stage 3.

Slide the **Base** panel onto the hooks at the bottom of the Sides and push it back until the tab on the Base panel fits into the slot at the bottom of the Back panel.



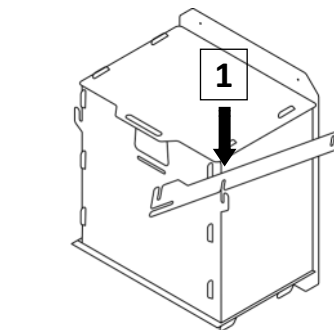
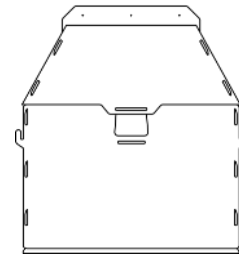
Stage 4.

Take the **Front** panel and slide the slots onto the hooks on the Side panels. Then slide the Front down so that the tab on the bottom of the Front panel fits into the slot in the Base panel.



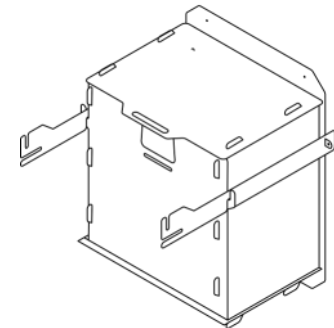
Stage 5.

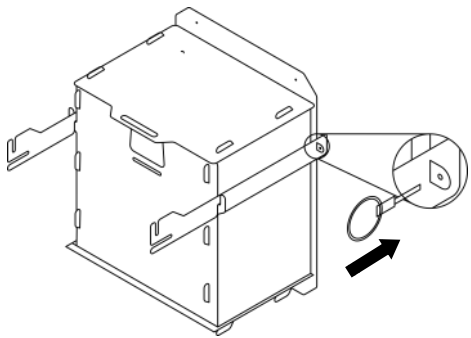
Take the **Roof** panel and drop it down onto the hooks on the Side panels so they pass through the slots in the Roof panel. Then slide the Roof panel towards the wall so that the tab on the far edge of the Roof slides through the slot at the top of the Back panel.



Stage 6.

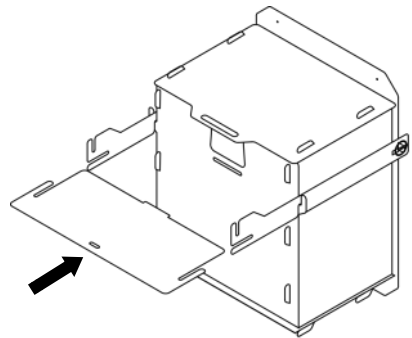
The next stage is to fit the **Platform Brackets**. Each one fits onto the hook and tab on one Side of the box. Slot the bracket down onto the hook at the front and then push the back of the bracket onto the tab at the back of the box.





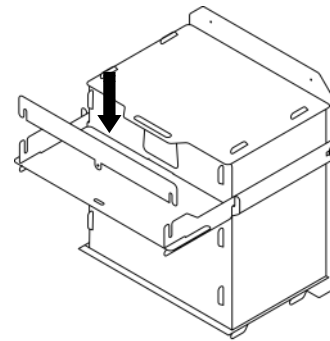
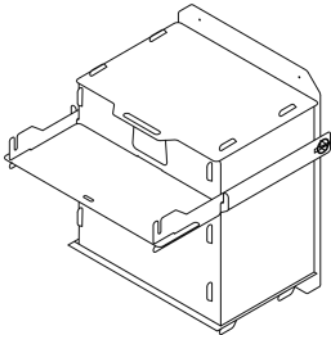
Stage 7.

To secure the Platform Brackets in place push the pin of a **Security Clip** through the hole in the tab, and then flip the ring over the tab to secure the Clip in place.



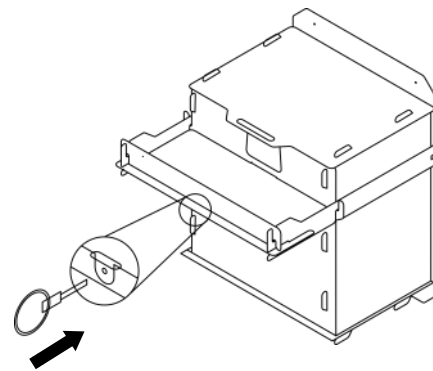
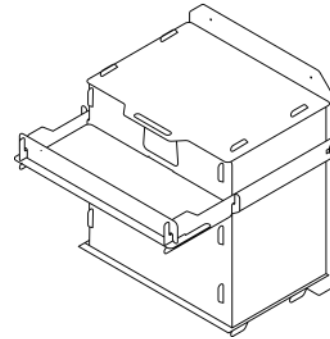
Stage 8.

The **Platform** now slides onto the Platform Brackets. The tab on the Platform fits into the slot beneath the entrance hole on the Front panel



Stage 9.

Fit the **Platform Front Fence** in place by dropping it vertically at the front of the Platform, so it engages with the hooks at the front of the Platform Brackets, and the tab passes through the slot at the front of the Platform.



Stage 10.

The final stage is to lock the Platform in place. To do this push the pin of a **Security Clip** through the hole in the tab on the Platform Front Fence and then flip the ring over the tab to secure the Clip in place.