

Eco Rocket Bat Box

SKU:B1ERBZZZZ

Construction: Recycled plastic shell; FSC® wood OSB roost chamber

Options: Cavity or crevice roost chamber
4m, 5m or 6m pole

Usage: Provides bats with a roost site when there is no suitable building or tree on which to mount a bat box. Ideal for use in mitigation projects.

Crevice roost chamber provides roost space for crevice dwelling bats such as Common Pipistrelle, Soprano Pipistrelle and Barbastelle's. Cavity roost chamber suitable for cavity-dwelling bats including Brown Long-Eared, Daubenton's, Natterer's, Bechstein's, Grey Long-Eared, Whiskered, Brandt's and Nathusius' Pipistrelle bats.

Maintenance: Eco Rocket Bat Box is maintenance free as droppings fall out of base. Recycled plastic shell is UV stabilized requiring no treatment.

Installation: Pole and base plate set into concrete /hardcore to a suitable depth depending on ground conditions.

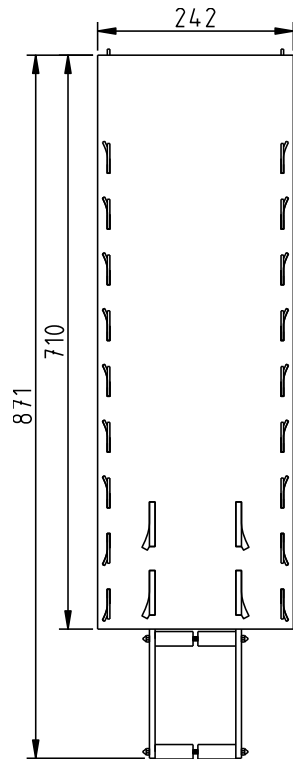


Corporate Member
Bat Conservation Trust

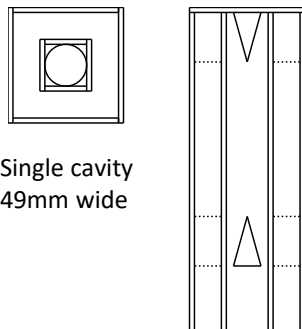


Certified FSC® Mix
NC-COC-005535GC

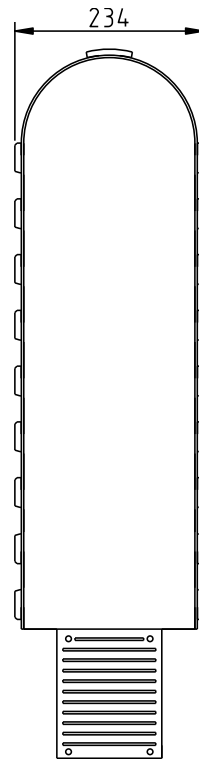
© The Nestbox Company Ltd. 2019



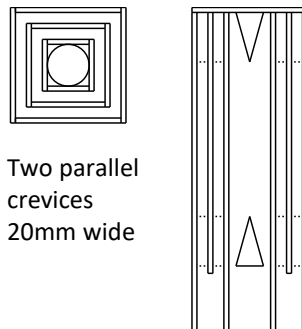
Cavity roost chamber



Single cavity
49mm wide



Crevice roost chamber



Two parallel
crevices
20mm wide

4m, 5m or 6m pole
O.D. 76mm

Pole and base plate set in
concrete/hardcore footings.
Depth dependent on ground
conditions.

