

### Where to site your box

Your eco barn owl box is suitable for use inside a building such as a barn, or outside, fixed to a tree etc. When fitting inside, ideally it should be mounted high up (>3 metres if possible). Near the apex of a roof is ideal, providing there is enough ventilation to avoid overheating when the sun shines on the roof. The owls must have permanent access to the roof space, and the entrance to the box should be visible to any passing owls. For siting outside we recommend that the box is at least 4.5 metres high. To minimise the risk of overheating it is best to site the box somewhere shaded that avoids too much direct sunshine (especially in the middle of the day). To reduce rain being blown into the box, if possible face the box away from the prevailing wind. It is also best to choose a location where any passing owls can clearly see the entrance hole (and have a good view from the entrance hole).

### Maintenance

Your box is designed to last for many years. If occupied by barn owls the box should be cleaned out every couple of years to remove accumulated debris. If jackdaws or pigeons use the box they will fill the box with sticks etc this will make it unattractive to barn owls and should be cleared out at the end of the breeding season. The wooden floor is designed to be easily replaced and after 5+ years in an occupied box it may need replacing (replacement floors available from our website)

**Please note that Barn Owls are a Schedule 1 species and an occupied nest box should not be disturbed or inspected by anyone other than a licensed individual.**

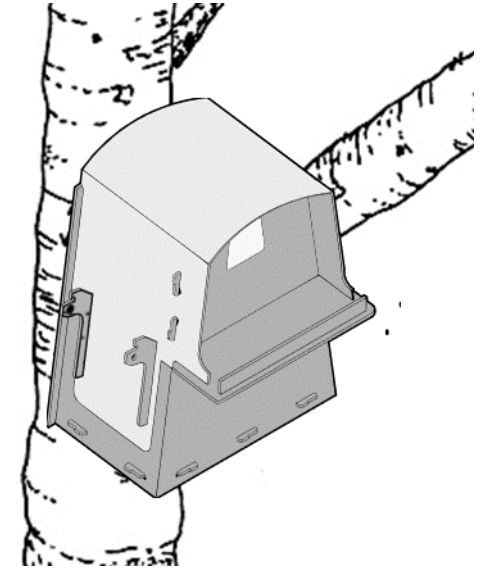
The Nestbox Company Limited

Eastcote House  
Barston Lane  
Eastcote  
Solihull  
B92 0HS UK

+44 (0) 1675 442299  
[www.nestbox.co.uk](http://www.nestbox.co.uk)  
[mail@nestbox.co.uk](mailto:mail@nestbox.co.uk)



## User Guide



## Eco Barn Owl Nest Box

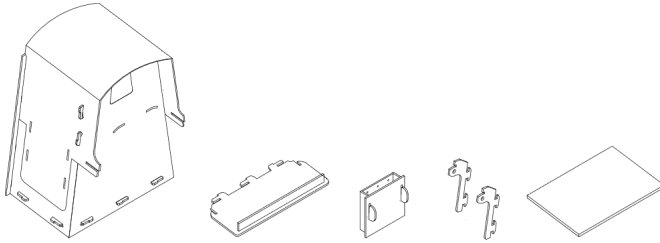
O1BAPZZZZ



Certified FSC® Mix  
C007915

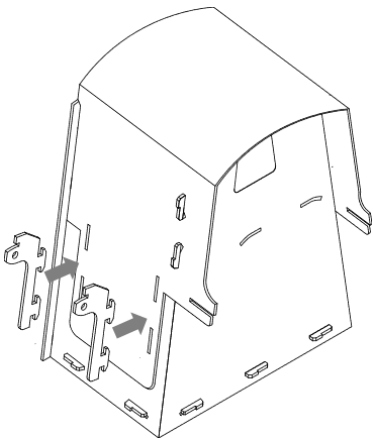
## Assembly instructions

Thanks for purchasing your Eco Barn Owl Nestbox. There are a couple of things to do before putting up your box. First check you have all the parts (please check inside the box as they are sometimes packed in there) :



Assembled Nestbox    Landing Platform    Mounting Bracket    2 x Hatch Closures    Wooden Floor

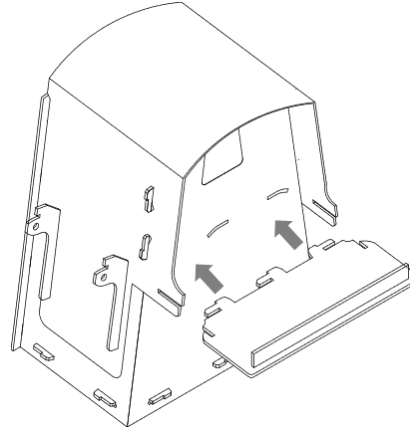
### 1. Fit the hatch closures



To fit the hatch closures, push them through the slots in the side of the nestbox then push them down to fix in position.

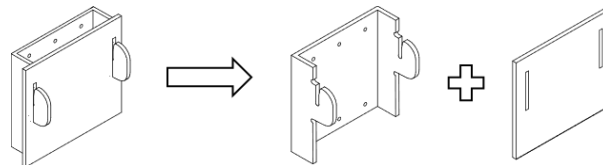
The nestbox has an access hatch for cleaning out unoccupied boxes after the breeding season. It can also be used by suitably licensed individuals to monitor breeding attempts and ring any chicks.

### 2. Fit the landing platform



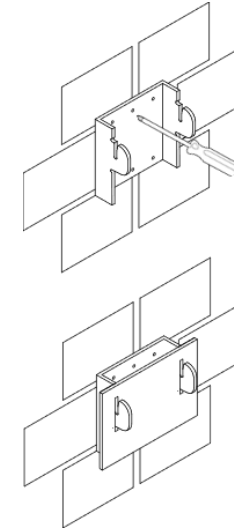
To fit the platform onto the front of the box is straightforward and does not require any tools. Bend the 3 tabs on the back edge of the platform down (i.e. away from the fence already fitted to the top near the front edge) by about 25 Degrees, and then push the platform onto the front of the box, so that the tags go through the curved slots in the front of the nest box, and the slots in the sides of the platform line up with the slots in the sides of the roof. Putting your hand inside the box, bend the tags straight again to hold the platform in place.

### 3. Mounting the box



Before mounting the box, take the mounting bracket and separate the two parts. The back of the mounting bracket is attached to the tree or wall.

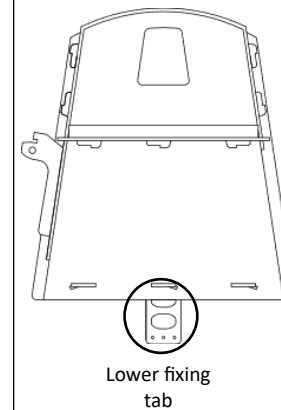
### 3. Mounting the box—cont.



At your chosen location fix the back of the mounting bracket with screws or nails as appropriate (making sure the hooks face upwards).

Once the back of the mounting bracket is securely mounted, fit the front of it back on, pushing it fully back so that the hooks are exposed.

You are now ready to hang the nestbox off the mounting bracket. The nestbox has two elongated keyholes in the back of the box which enable the box to be securely hung from the hooks on the mounting bracket. Hook the box on to the bracket then pull it down so it is securely held.



The box has a lower fixing tab to further secure the box and ensure it stays in a vertical position. This should be bent so it is flat on the surface of the wall or tree then fixed with screws or nails. Placing a block of wood or similar may also help to keep the box vertical.

Finally fit the floor—it simply rests in the box on the plastic edges at the base of the nest box.