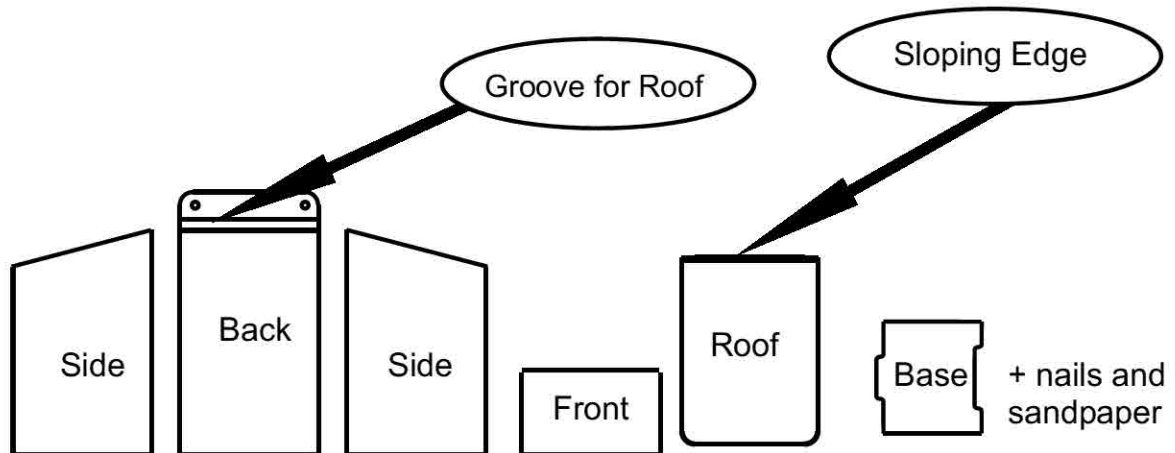


## Assembly Instructions: Bird Box Kit (Open Front)

1. Check you have all the items in your kit:

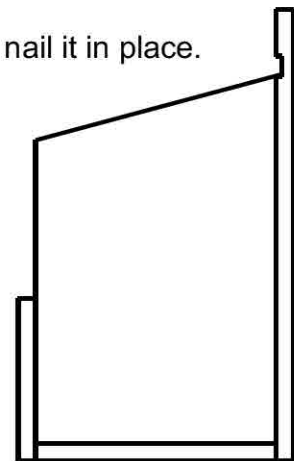
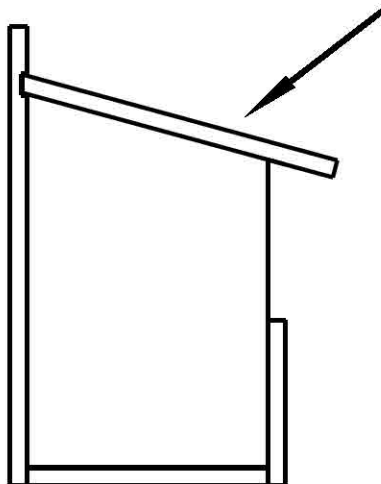


2. From the rear of the Back (ie the side without the groove), nail it to the 2 Sides

3. Position the Base between the 2 Sides and the Back, and nail it in place.

4. Fit the Front in front of the 2 sides and Base. Nail the Front in place.

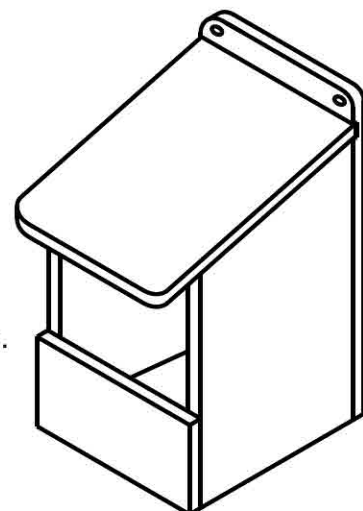
5. Fit the Roof with its sloping edge into the groove at the top of the Back panel, and nail it onto the two Side panels.



6. Your box is now built and should now look like this:

Using the sandpaper provided, smooth off all the edges.

You can use the box as it is (it is made from external grade plywood) or apply a coat of water based wood treatment, paint etc. We suggest you don't use too bright a colour, as many birds don't like to draw the attention of predators to their nests.



## Siting the Nest Box

There are 2 mounting holes in the top corners of the nest box. The box can be fitted using screws or nails through these holes, or alternatively passing string, twine or wire through one hole and back through the other one, and then round a tree or pole.

Your box can be mounted onto a tree, pole, stake, wall or fence. If you would like to attract robins, it is best sited less than 1 metre high and hidden in bushes etc so cats and other predators would find it difficult to reach. Otherwise, we would recommend siting it at least 2 metres high. It is best to fit it so that it doesn't face into the prevailing winds, to avoid driving rain coming in the entrance hole. It is also better to locate the box so that it is sheltered from strong direct sunlight, so it does not get overheated. To keep the inside dry, mount the box upright or sloping slightly down.

When mounting the box higher up, it is good to ensure a clear area in front of the box, so that the nesting birds have an easily visible flight path in and out, and to make it more difficult for any predators to get at the box.

It is not a good idea to put nest boxes up near to a feeding station, as nesting birds prefer it quieter.

**NB If you need to climb a ladder to site your nest box, please remember that working at heights can be dangerous, and have regard for your personal safety.**

## Maintenance of the Nest Box

The wood this nest box is made from will last longer if you apply an initial coat of paint or wood treatment. This could be renewed every few years.

We suggest the box should be taken down annually and any nesting debris removed and disposed of. To reduce the chance of parasites remaining, the box could be washed out with boiling water. The best time to do this is after nesting has finished, between November and January.

With a little maintenance, your box should last years.

**NB Boiling water and dusty debris are potentially hazardous. Please take due care of your personal safety when doing this.**

## Which Birds Will Use this Box?

This nest box is designed for the small birds which nest in an open nest. You may attract robins, pied wagtails, wrens or spotted flycatchers.



All our  
wooden  
products  
are  
certified  
FSC® Mix

The mark of  
responsible  
forestry  
FSC® C007915