

# WARDROBE LOCKER WITH 4 DOORS

## Assembly Instructions



THIS MANUAL CONTAINS IMPORTANT INFORMATION REGARDING SAFETY, OPERATION, MAINTENANCE AND STORAGE OF THIS PRODUCT. BEFORE USE, READ CAREFULLY AND UNDERSTAND ALL CAUTIONS, WARNINGS, INSTRUCTIONS AND PRODUCT LABELS. FAILURE TO DO SO COULD RESULT IN SERIOUS PERSONAL INJURY AND/OR PROPERTY DAMAGE.

IF YOU SHOULD HAVE ANY QUESTIONS OR EXPERIENCE A PROBLEM WITH YOUR ALLTRADE<sup>®</sup> PRODUCT, DO NOT RETURN THIS PRODUCT TO THE STORE. PLEASE CALL OUR CUSTOMER SERVICE DEPARTMENT AT **1-800-423-3598**. BEFORE YOU CALL, HAVE THE FOLLOWING INFORMATION AVAILABLE: MODEL No., DATE PURCHASED AND STORE LOCATION. AN ALLTRADE REPRESENTATIVE CAN RESOLVE YOUR PROBLEM OVER THE PHONE. IF YOU WOULD LIKE TO MAKE A SUGGESTION OR COMMENT, GIVE US A CALL OR EMAIL US AT: [INFO@ALLTRADETOOLS.COM](mailto:INFO@ALLTRADETOOLS.COM). YOUR FEEDBACK IS VITAL TO US.

## WARNING

- READ ALL INSTRUCTIONS BEFORE ASSEMBLY. Follow all warnings and safety precautions. If the installation is not performed correctly, the unit could fall off the wall and cause serious injury or death.
- Always use appropriate safety equipment when using power and hand tools. Failure to do so may cause personal injury or product damage.
- Use adequate manpower when assembling this unit. Failure to do so may cause personal injury or product damage.
- DO NOT alter this product in any manner.
- Secure to the wall with supplied hanging bracket.
- Make sure that the wood screws are screwed at least 1-1/2 inches deep into solid wood or framing material or into at least 1/2 inch thick wallboard using wall anchors. Failure to do so could result in the wall unit falling off the wall.
- Know the location of all utility lines before drilling. Serious injury or even death may occur if you accidentally drill into a utility connection (gas, water, electric). Make sure you shut off the power to all electrical lines and outlets that you may come into contact with during installation by shutting off the circuit breaker/fuse at the electrical panel. Use a circuit tester to make sure the power is off.
- DO NOT overload top lockers to reduce risk of tipping.
- Place heavier items on bottom lockers.

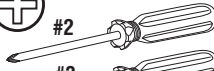
## Tools Needed



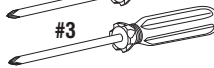
40 Min



#2



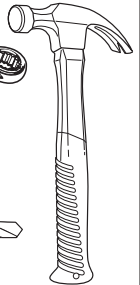
#3



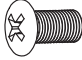
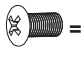

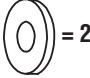

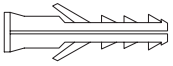
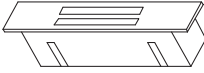
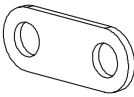
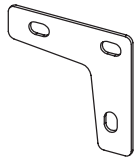
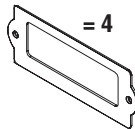
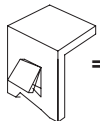
10 mm

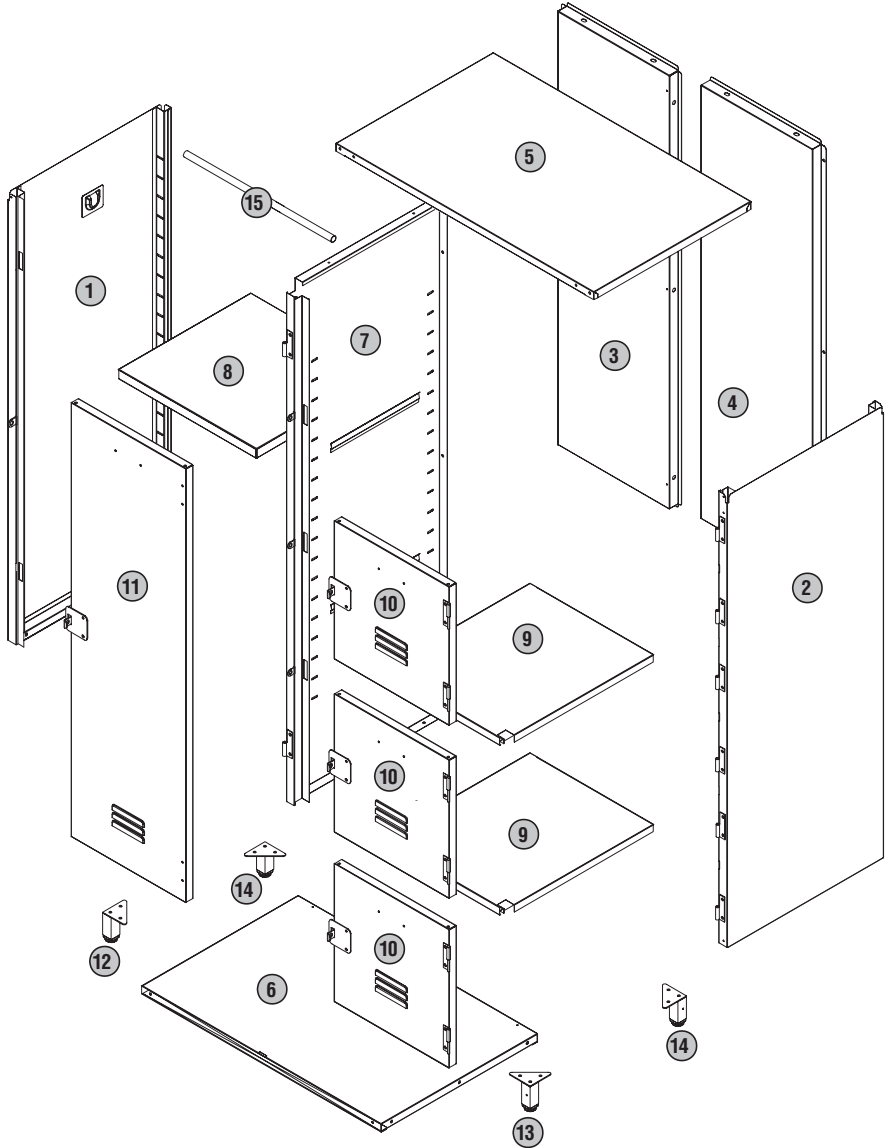


8mm



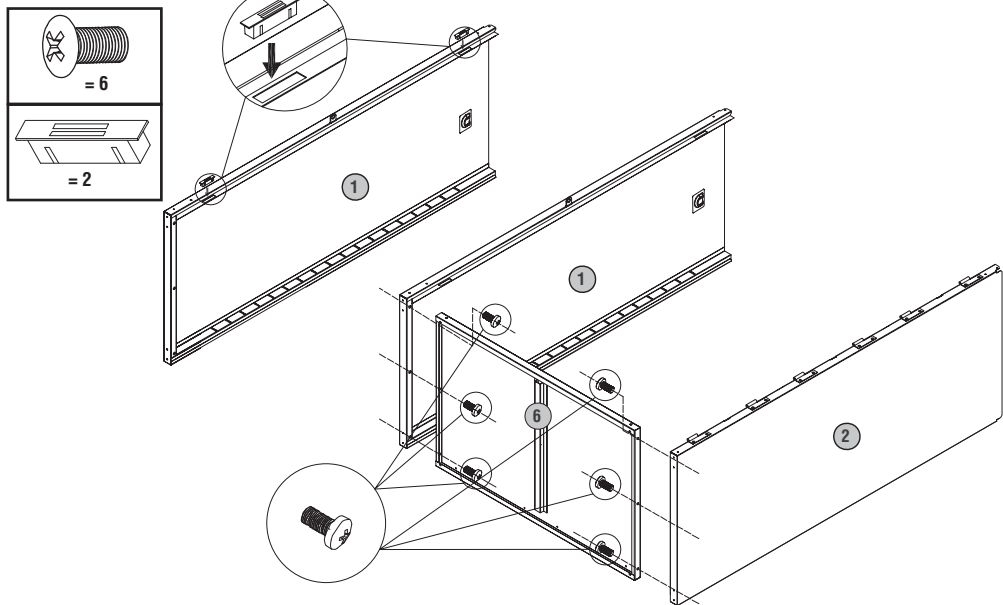
# Parts

 = 8	 = 47	 = 8	 = 2	 X 2	 X 2
 = 5	 = 2	 = 4	 = 4	 = 4	

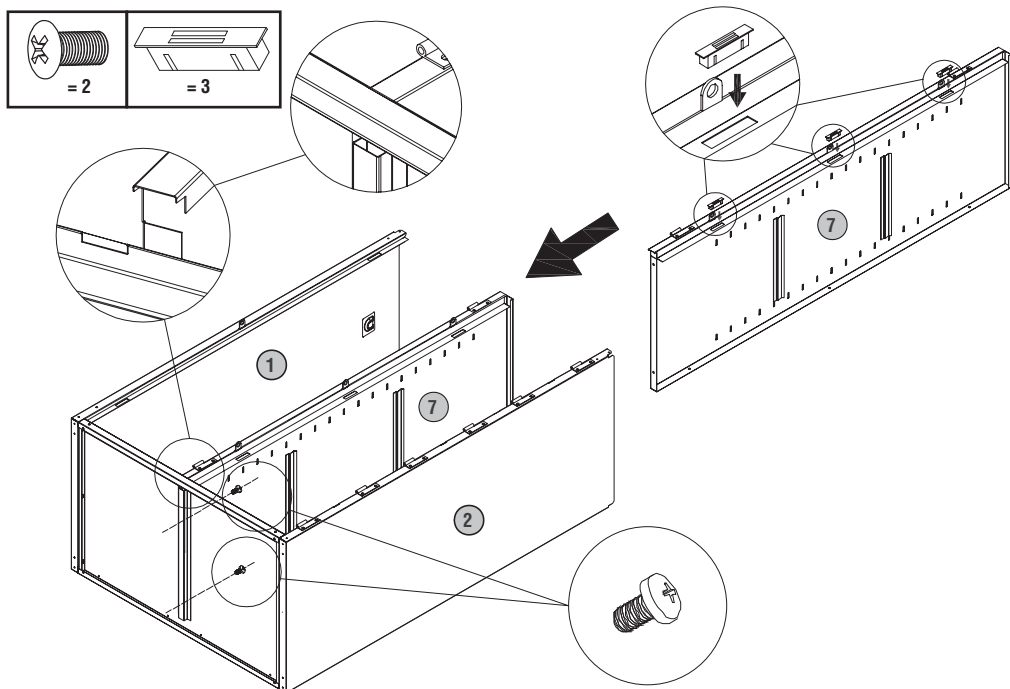


# Assembly

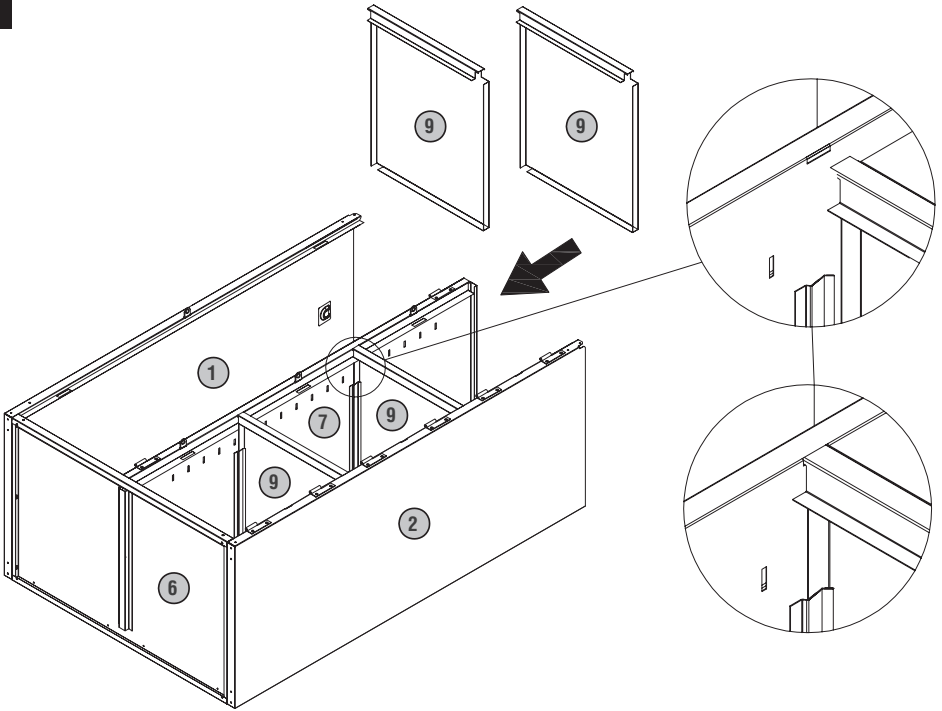
1



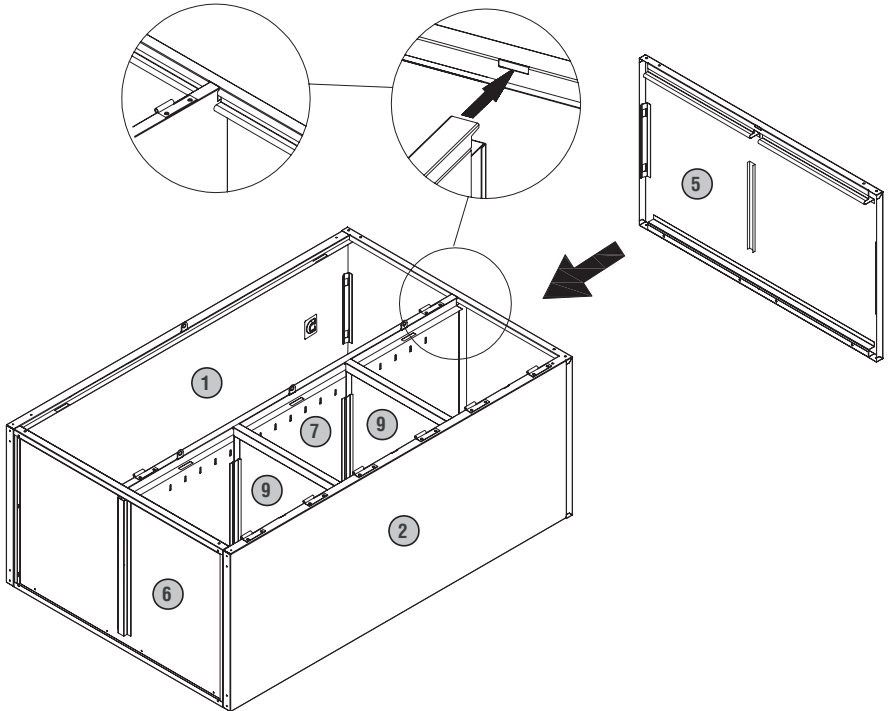
2



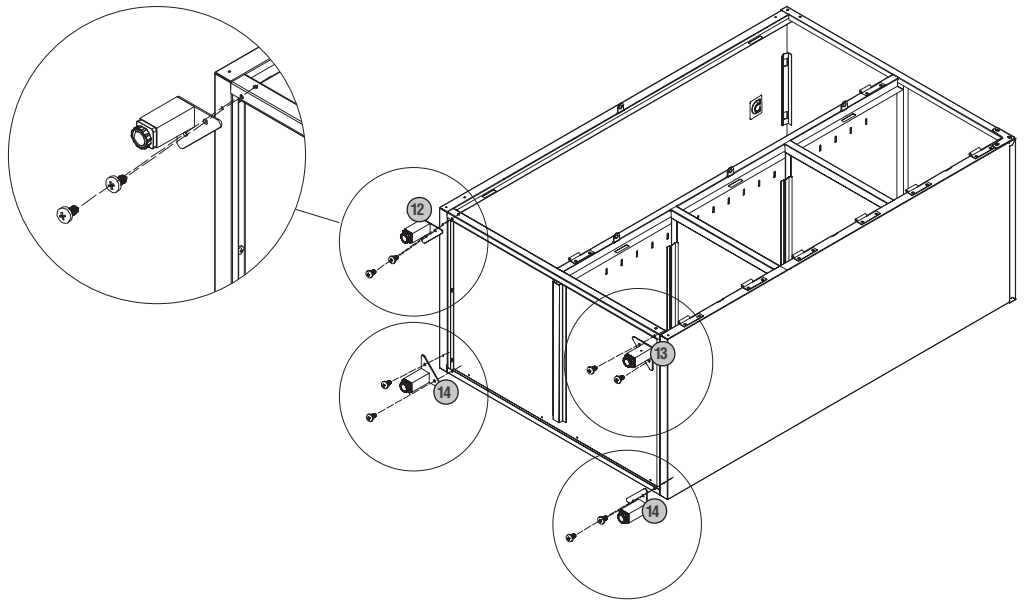
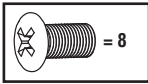
3



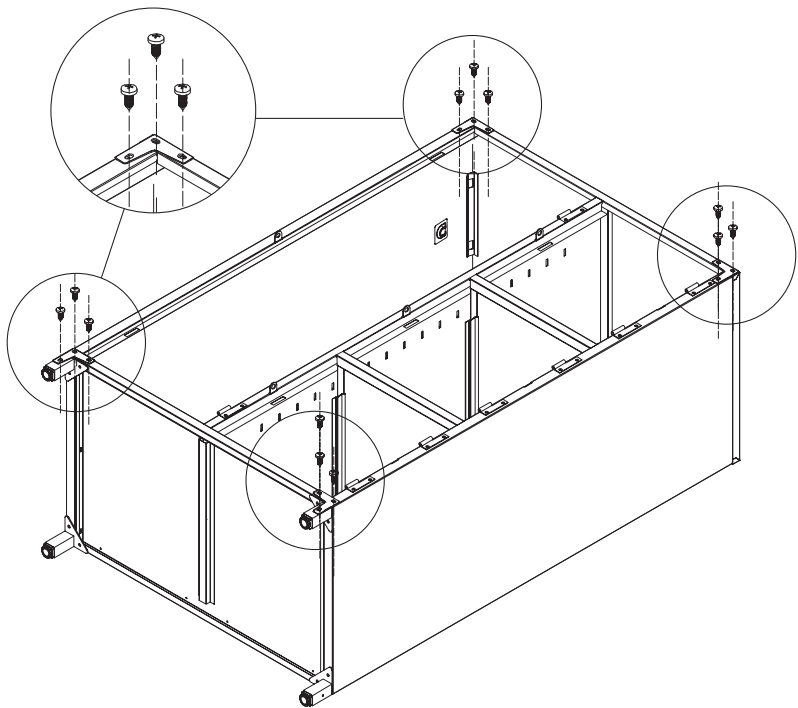
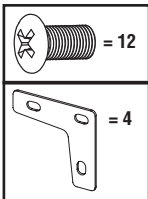
4



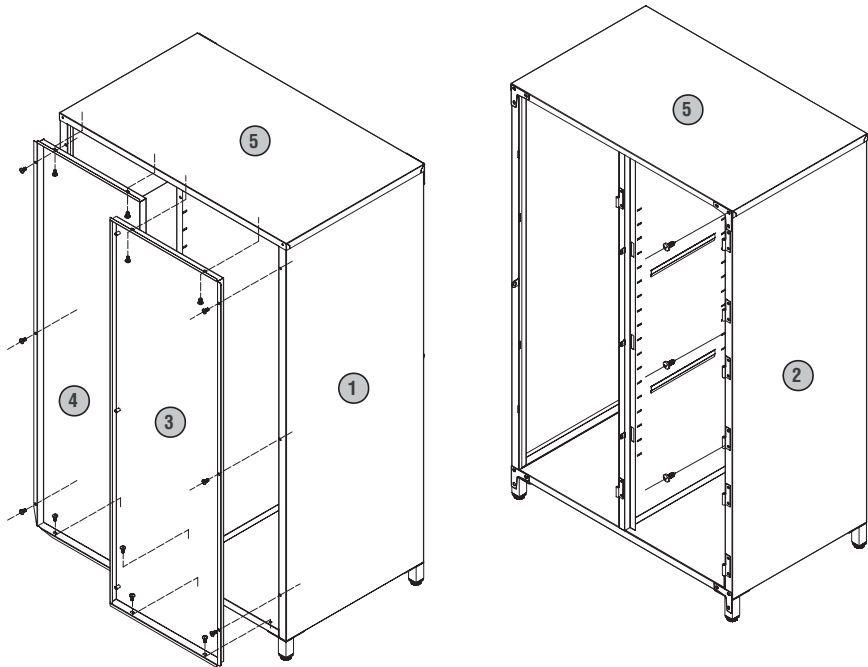
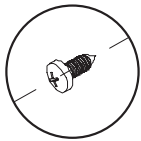
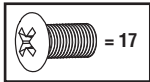
5



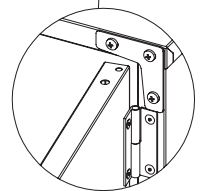
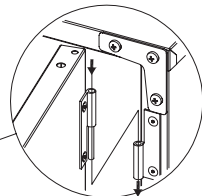
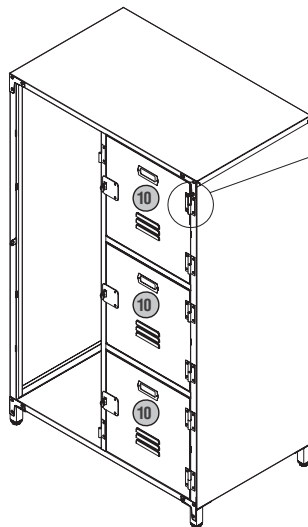
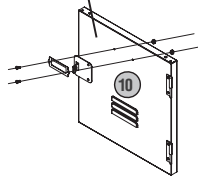
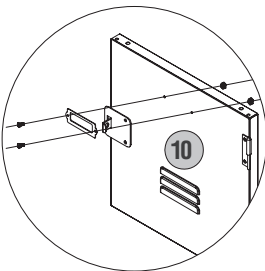
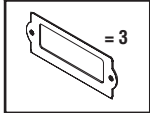
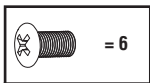
6

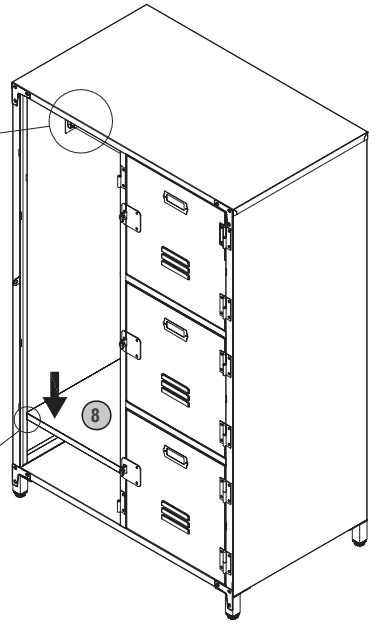
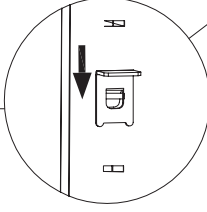
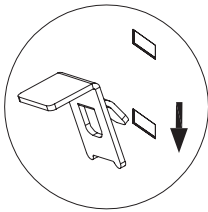
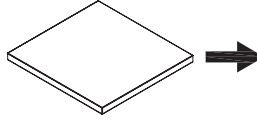
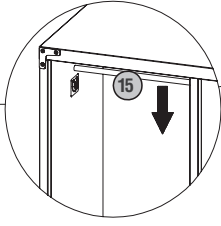
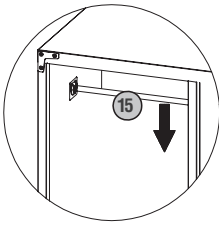
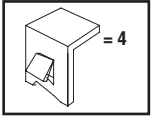
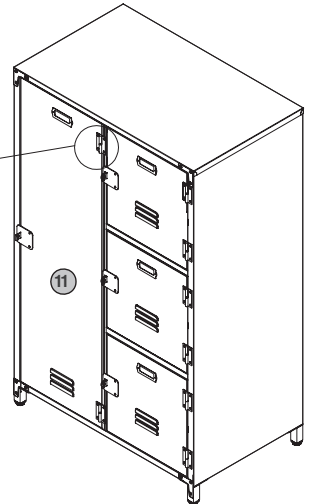
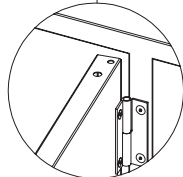
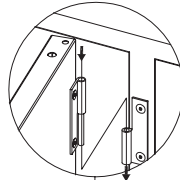
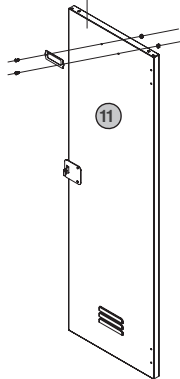
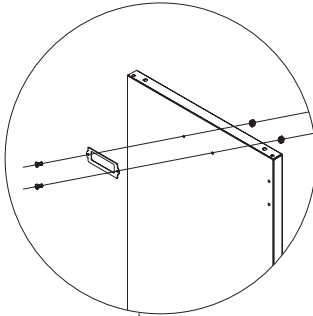
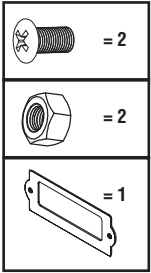


# 7



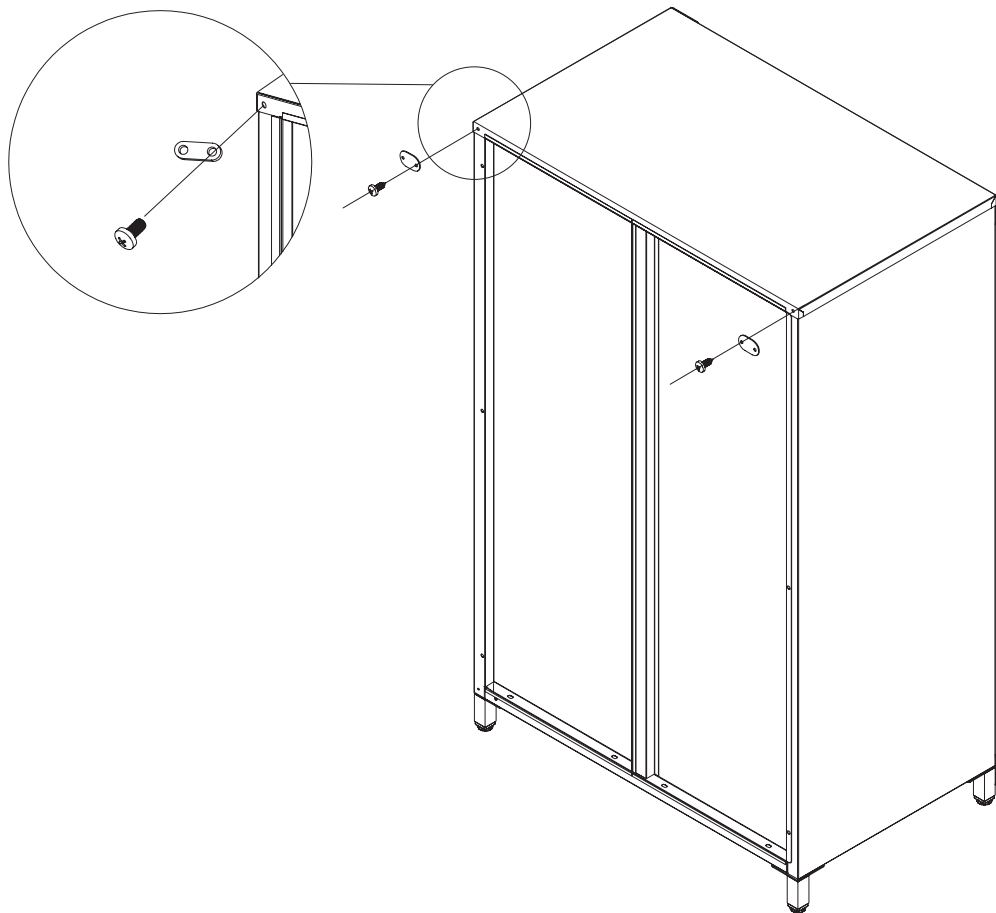
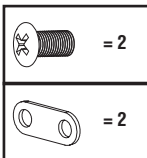
# 8



**9****10**

8





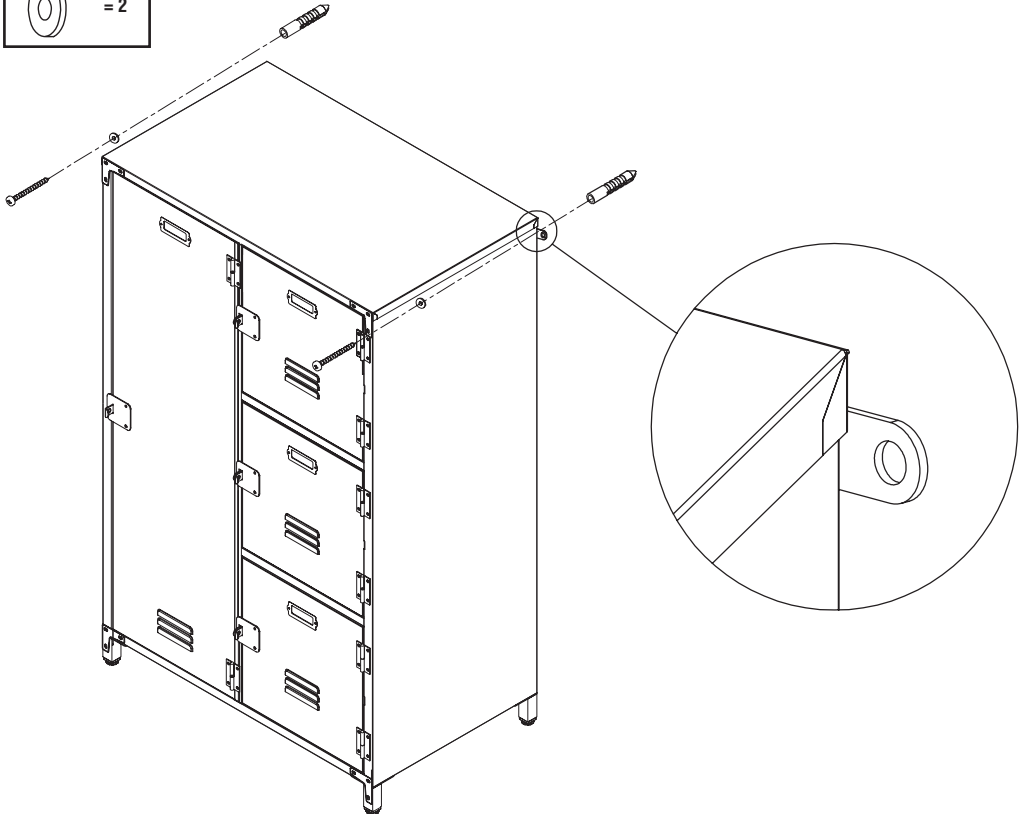
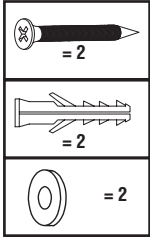
# Securing Locker

## IMPORTANT!

Locker must be secured to a wall to prevent from tipping over. Failure to do so may cause serious injury.  
Locker is not meant to hang on wall.

Make sure that the wood screws are screwed at least 1-1/2 inches deep into solid wood or framing material or into at least 1/2 inch thick wallboard using wall anchors. Failure to do so could result in the wall unit falling off the wall.

## Drywall Mount





---

**FOR WARRANTY / SERVICE**

**1-800-423-3598**

Printed in China



**Distribution & Returns**

©2018, Alltrade Tools, LLC

Reno, NV 89508

---

**[www.allspacehome.com](http://www.allspacehome.com)**

**MADE IN CHINA**