

Aqualin

Electrical Water Timer

User Guide

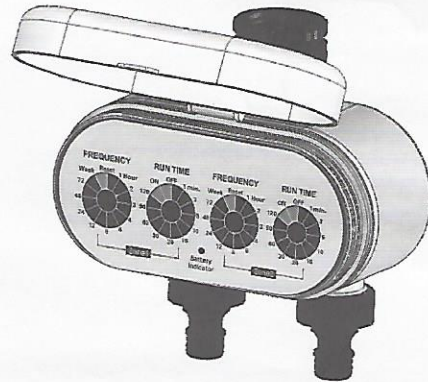
Used for garden watering applications

With a Aqualin Water Timer, your garden will be reliably and conveniently irrigated – even when you are not home.

You win more free time and have a lush, green garden and beautiful, healthy plants.

Key Features :

- Easy to install and program
- Attaches directly to garden tap
- Manual On feature from 1 to 120 minutes
- Low battery indicator
- Run on DC 3V (2xAA) batteries
- Fits 3/4" and 1" taps



Programming

1. Turn the knobs to set up the FREQUENCY TIME in hours and the RUN TIME in minutes. NOTE: The first time you program the timer, it will not begin watering until after the time delay. The time delay is the number of hours to which you set the FREQUENCY knob.
2. Make a record of the date you programmed the timer, the FREQUENCY, and the RUN TIME settings. You can use the "ON/OFF" functions at any time without interrupting the FREQUENCY setting. Just turn the RUN TIME knob to the "ON" position. When finished turn to "OFF" for five seconds then return the RUN TIME knob to your desired setting.
3. REPLACE THE WATERPROOF COVER AFTER PROGRAMMING, ENSURING THAT IT IS TIGHTLY SCREWED ONTO THE TIMER.

Repeat steps 1 through 3 if you attach a 2nd hose

Example settings

- A. You want to water every morning at 6:00 AM and every evening at 6:00 PM for 10 minutes each watering:
You must program your timer at either 6:00 am or 6:00 pm (the hour that you want to begin watering). At 6:00 AM OR 6:00 PM set the FREQUENCY knob to 12 (hours) and the RUN TIME knob to 10 (minutes). AFTER 12 HOURS, the timer will begin its first program and run for 10 minutes. 12 hours is the time delay before the timer begins its first program.

The timer will now water every day at 6:00 AM and 6:00 PM for 10 minutes until you change it.

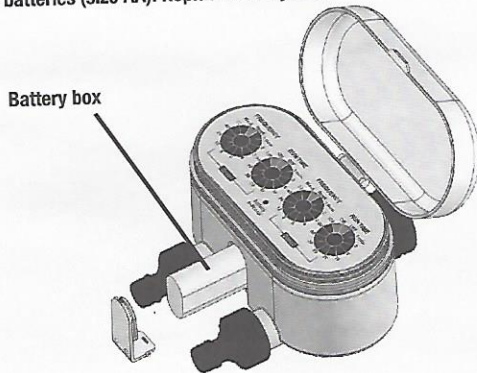
- B. You want to water every morning at 7:00 AM for 30 minutes:
At 7:00 AM, set the FREQUENCY knob to 24 (hours) and the RUN TIME knob to 30 (minutes). The timer will not begin its program until THE NEXT DAY AT 7:00 AM when it will water for 30 minutes. The timer will now water every day at 7:00 AM for 30 minutes until you change it.
- C. You want to water just one time for 10 minutes. (No programmed watering)
At this time, you just want to water the garden for a period of time, set the FREQUENCY knob to RESET and the RUN TIME knob to 10 (minutes). The timer will start watering immediately and last 10 (minutes).

Notes

1. The timer starts keeping time when you set it. You MUST set the timer at the hour you want it to run. For example, as in Sample Program B above, if you want the timer to come on at 7:00 AM you must physically set it at 7:00 AM.
2. You may change frequencies and run time at any time by just turning the Frequency knob or the Run Time knob to a new setting.
3. To STOP the timer and cancel the frequency setting, turn the RUN TIME knob to OFF. All watering will stop. To reactivate, you must reprogram the timer.

Installation

1. Unscrew and remove waterproof cover. Slowly slide out the battery box from its compartment located on the front of the timer. Install two new 1.5V alkaline batteries (size AA). Replace battery box.



2. Test the unit by turning the RUN TIME knob from the "OFF" to "ON" position. You should hear the sound of the motor within 30 seconds. You will be setting the program momentarily.

If you do not hear the motor, check to be sure the batteries are correctly installed.

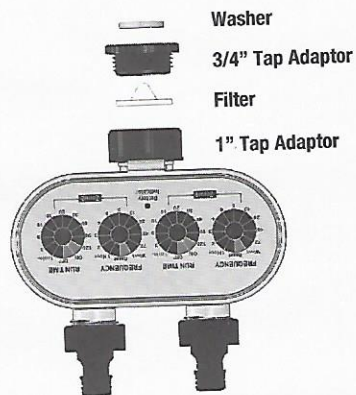
Trouble Shooting Guide

If the water does not come on, please check the following:

1. Make sure the faucet/tap is turned on.
2. Check to be sure the batteries are in good condition and are installed correctly.
3. Check to be certain that the frequency and run times are the same as your record.
4. Make sure that the frequency setting is longer than the run time. For example, you cannot set the frequency at the 1 hour setting and have the run time set for anything over 60 minutes.

Caution

Protect the timer and its parts from freezing. Prior to the first frost or freeze, remove the timer from the faucet and store it indoors until spring. Remember to remove the batteries from the battery compartment.



3. Hold the unit steady. Loosen the LARGE LOCKING COLLAR RING located in the top of the timer until the inner BLACK FAUCET COLLAR is loose. Screw the BLACK FAUCET COLLAR onto the faucet/tap until it is hand tight, and then hand tighten the LARGE LOCKING COLLAR RING. Turn on the faucet/tap to open the flow of water.

DO NOT USE WRENCHES OR PLIERS TO TIGHTEN THE COLLARS.