



# FRENCHIE CHAIR

ARM

## DIMENSIONS

23" W • 26" D • 38" H • 19.5" SW • 19" SH • 25.5" AH

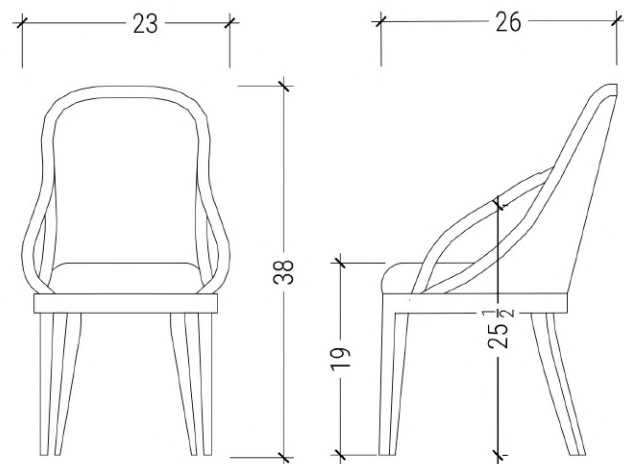
## RETAIL PRICE

\$1,300.00

## FINISHES

OR PAINTED A COLOR OF YOUR CHOICE

- INCREDIBLE WHITE
- MINDFUL GRAY
- GRAYS HARBOR
- BUNGLEHOUSE BLUE
- PEPPERY
- NATURAL OAK
- CERUSED OAK



## COM / COL REQUIRED

FABRIC - 3.5 YDS  
LEATHER - 63 SF

## LEAD TIME

8-10 WEEKS

DOWEL