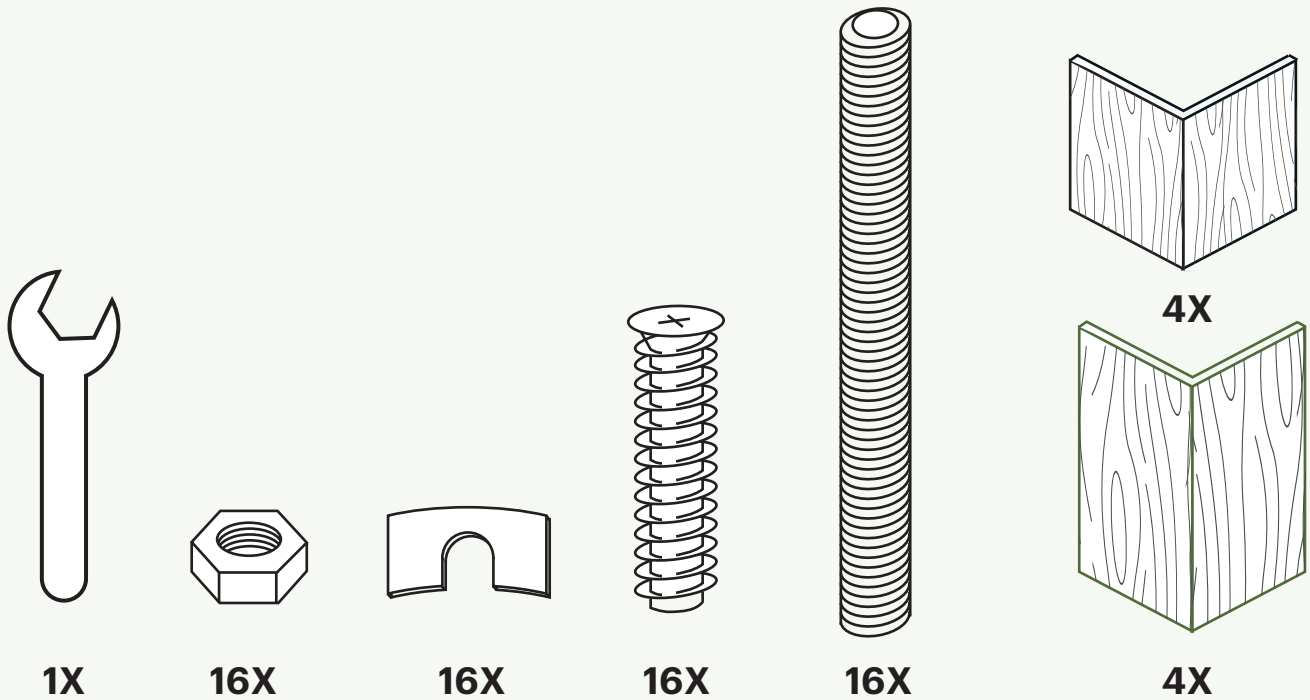
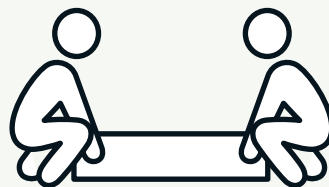
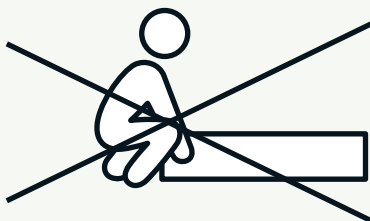


# YOSEMITE TABLE



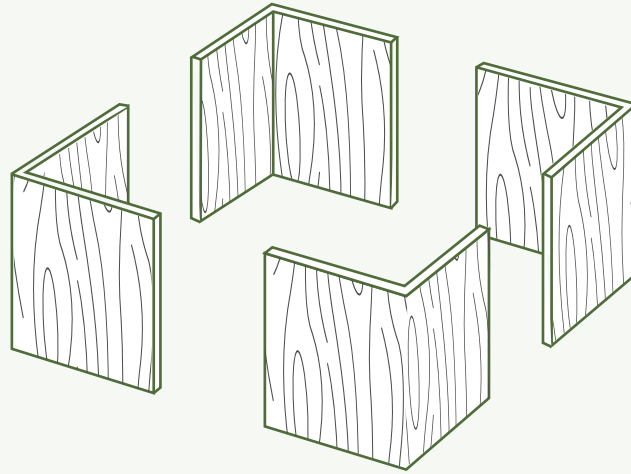
ALL DRAWINGS ARE NOT TO SCALE



REQUIRE TWO PEOPLE FOR TABLE ASSEMBLY

1.

Lay the taller L brackets on the ground spread wide enough where the table top can rest on it.

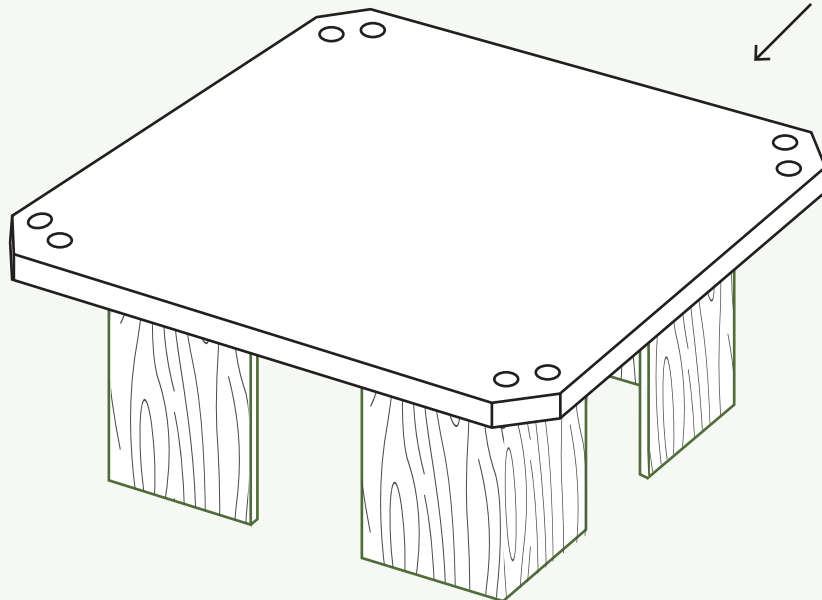


**TALLER L BRACKETS**



2.

Lay one of the table tops bottom side up on it. The bottom side is the one with the circular holes in the edges.

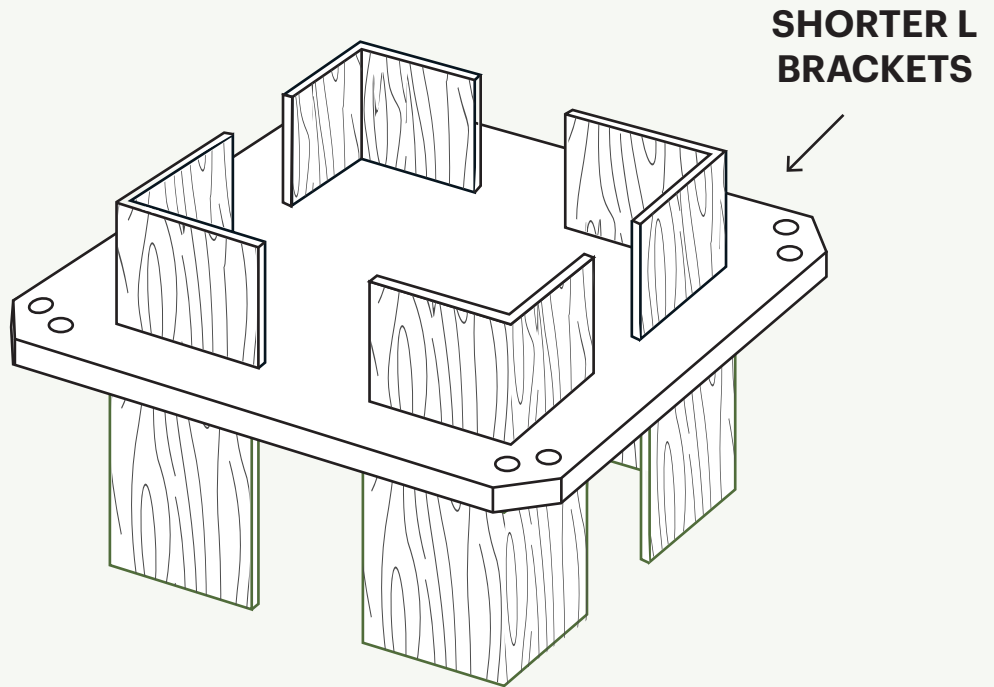


**TABLE TOPS  
BOTTOM SIDE UP**



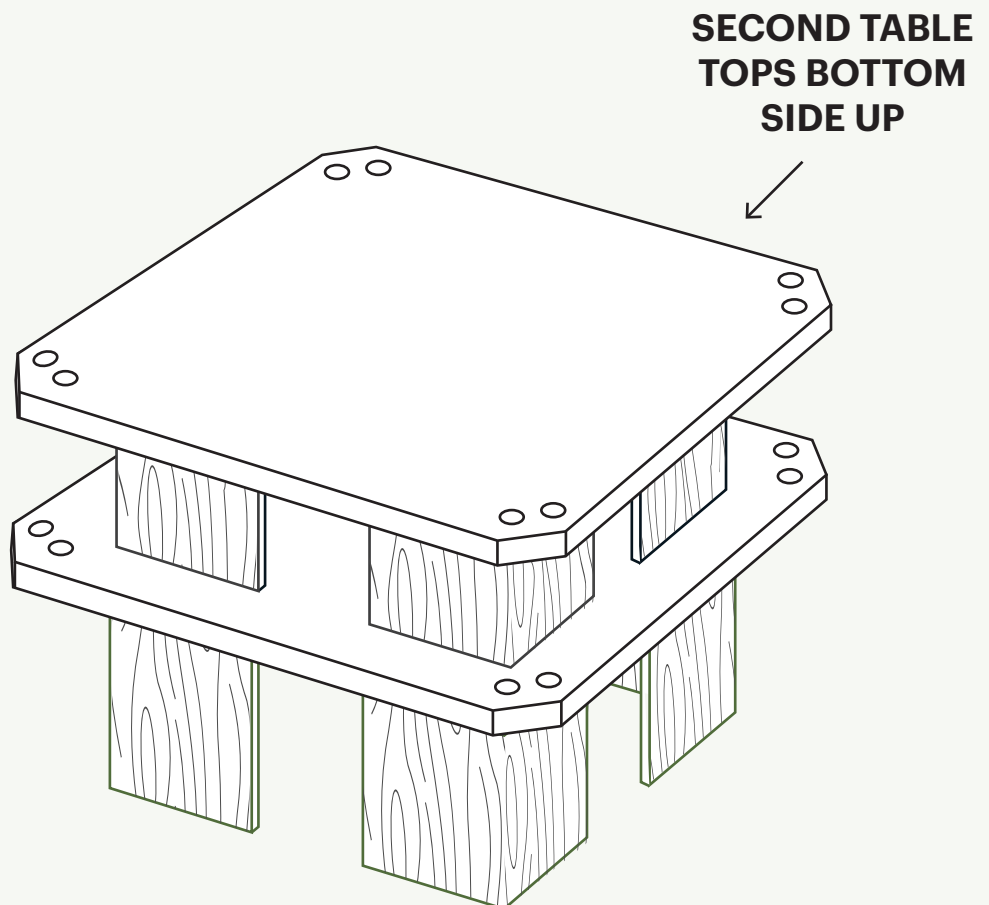
3.

Lay the shorter L brackets on top of the table top.



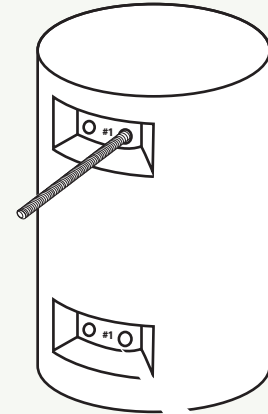
4.

Lay the second table top bottom side up on top of the second set of brackets



5.  
Prepare each leg with 4  
threaded studs.

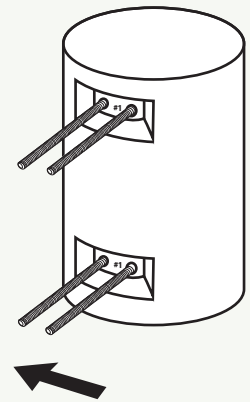
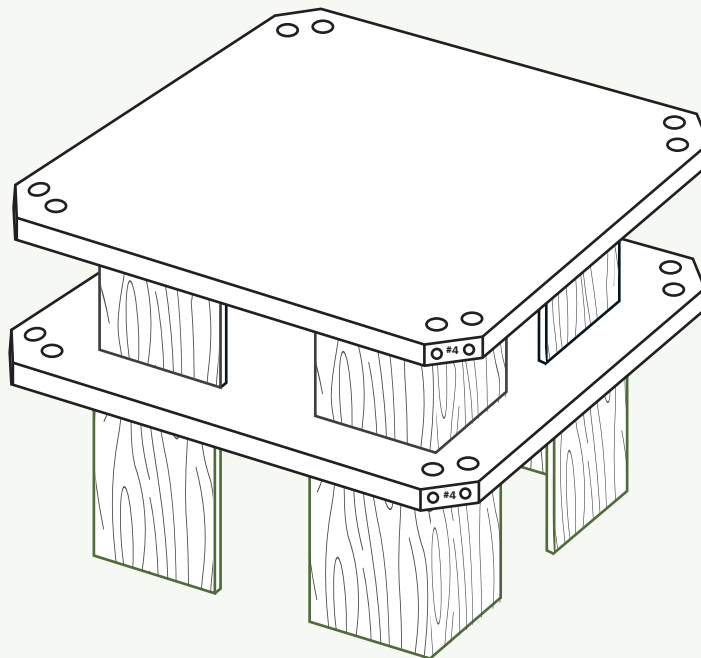
4X  
FOR EACH  
LEGES



LOOK FOR  
NUMBER ON  
THE LEG



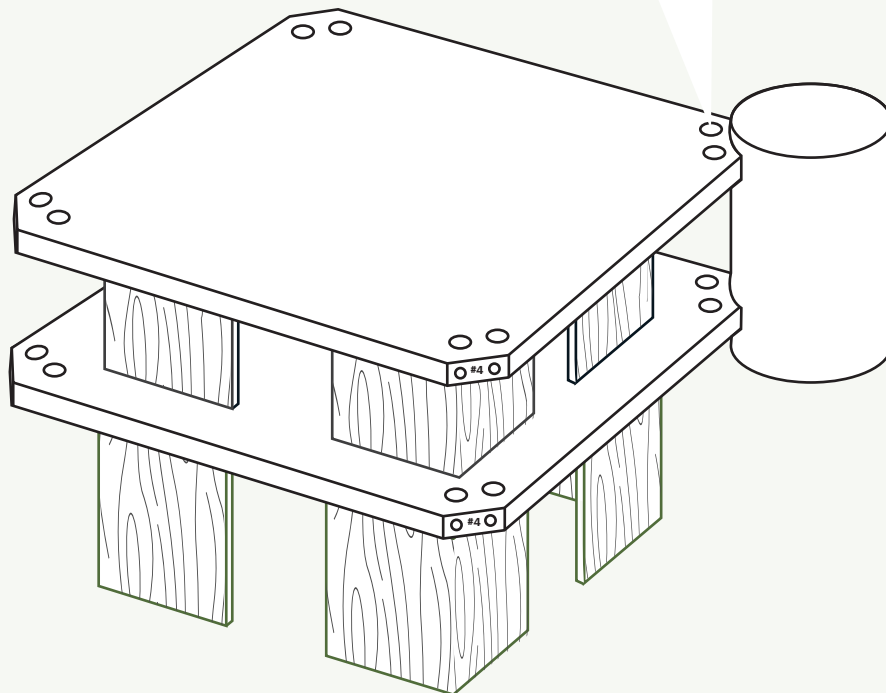
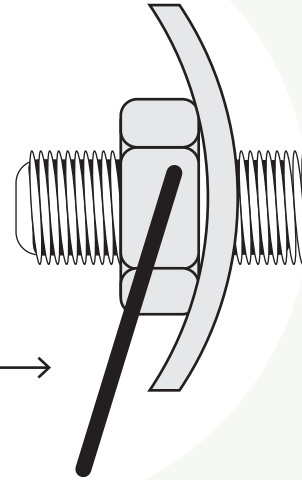
6.  
Match up the numbered  
legs to the numbered sides  
and slide each leg into  
place by matching up the  
dowels and the bolts  
accordingly.



7.

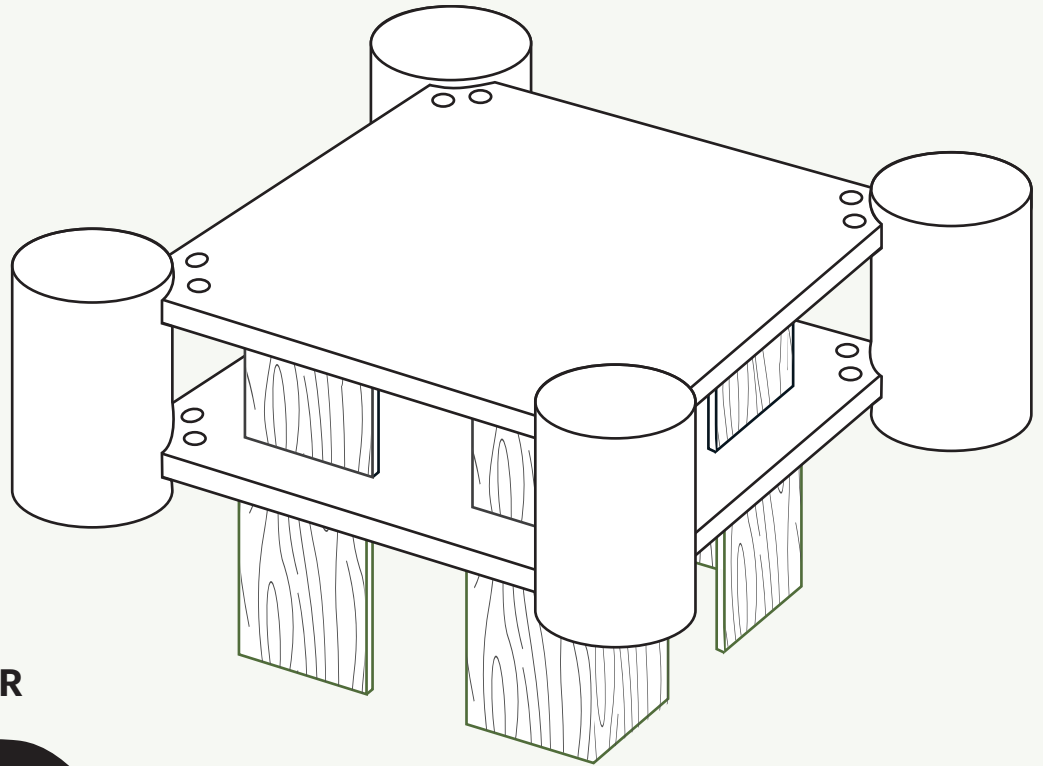
Once lined up, take the wrench that came with it or if you own a socket wrench, please use that. Take each of the nuts and half moon washers and lock in each bolt.

**USE  
WRENCH AT  
AN ANGLE**

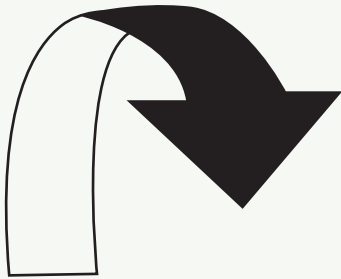


8.

Attached all the legs,  
make sure all legs are  
safely secured.



**FLIP THE  
TABLE OVER**



9.

Slowly flip the table over  
and lift and place to your  
desired position.

