

**MOVO**  
Creators Wanted



USB DESKTOP  
MICROPHONE  
MANUAL

WebMic

**Instruction Manual**

Thanks for choosing Movo!

The Movo WebMic is a desktop USB microphone built for PC/Mac computers. With a cardioid pickup pattern, the WebMic is designed to capture sound in front of the microphone and effectively reduce unwanted background noise. It is ideal for home-studio recording, podcasting, vocal performance, and more. The WebMic features built-in controls for gain, headphone volume, and muting, and the 3.5mm headphone jack enables real-time monitoring. An adjustable desktop stand allows you to place your microphone at the angle that's right for you.

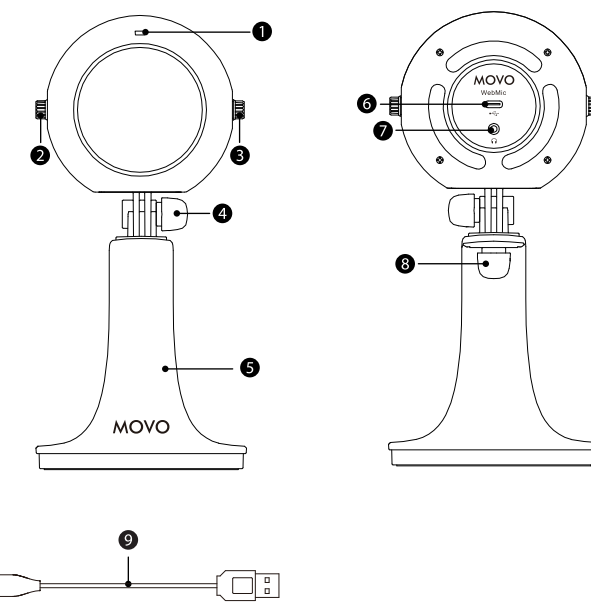
**Package contents**

- WebMic Microphone
- Detachable Desktop Stand
- USB to USB-C Cable

**Caution**

If you do not intend to use the microphone for a long period of time, please remove the USB cable.  
Do not touch the microphone while recording, as this will cause noise to be recorded. Do not let the microphone close to high-voltage equipment or to devices that emit strong electromagnetic fields, otherwise it may cause the noise to be recorded.  
Do not use or leave the microphone in hot, humid places.

**Product Structure**



**1. Power indicator**

Mode	Indicator
Power on	Solid blue light
Power off	Light off
Mute on	Solid red light

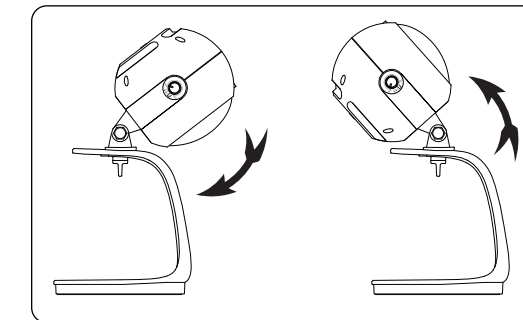
**2. Gain control**

- Turn the knob to adjust gain for microphone input level.

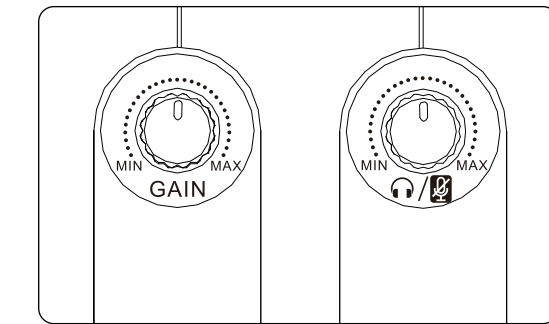
- 3. Headphone volume/mute control
- Turn the knob to adjust headphone volume.
- Press the knob to mute/unmute the microphone.
- 4. Locking knob for angle adjustment
- 5. Desktop stand
- 6. USB-C audio output
- 7. 3.5mm headphone output
- 8. Locking knob for stand
- 9. 52" USB to USB-C audio output cable

**How to Use**

- 1. Loosen the locking knob, adjust the microphone to the desired angle, then tighten the knob to secure.



- 2. Turn the gain control and the volume control knobs halfway towards max before recording.

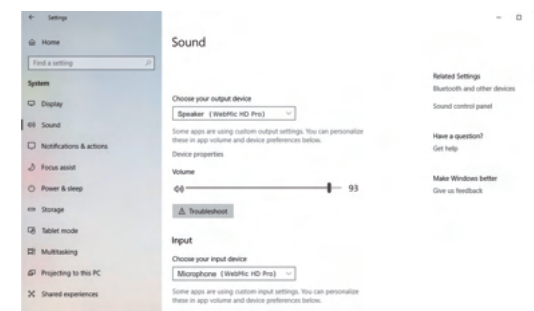


**Note:** 50% levels are recommended. Please turn up/down according to your needs.

- 3. Connect the microphone to a computer with the supplied cable.
- 4. Connect your headphone to the 3.5mm headphone jack for real-time monitoring.

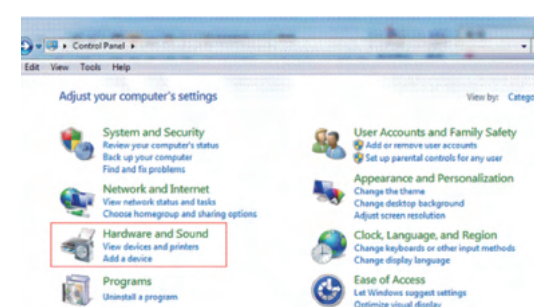
**Setup for Windows 10**

1. Connect the microphone to your computer using the supplied cable.
2. Go to "Settings", choose "Sound" as shown.
3. Select "Speaker WebMic" as the output device.
4. Select "Microphone WebMic" as the input device.



**Setup for Windows 7**

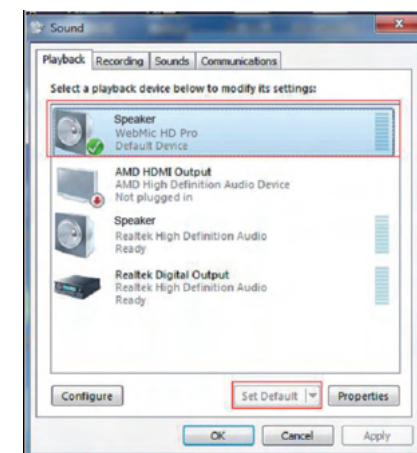
1. Connect the microphone to your computer using the supplied cable.
2. From the "Settings Menu", select the "Control Panel".
3. Go to the "Control Panel"; select "Hardware and Sound"



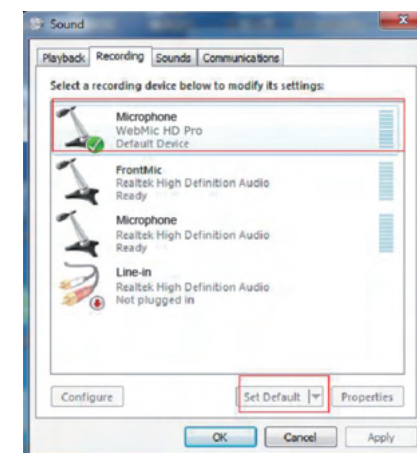
4. Select "Sound"



5. Select "Speaker WebMic" as the default device in "Sound", under the "Playback" menu.



6. Select "Microphone WebMic" as the default device in "Sound", under the "Recording" menu.

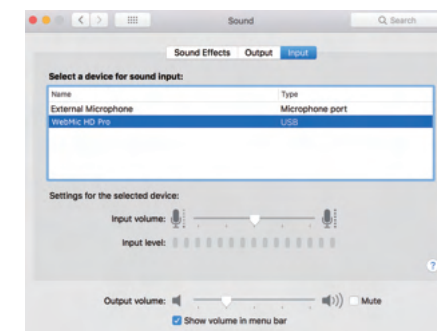


**Setup for Apple System**

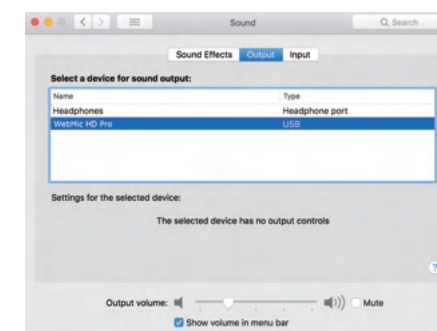
1. Connect the microphone to your computer using the supplied cable.
2. Go to Apple Icon-->System Preferences-->Sound Icon.



3. Select "WebMic" under the "Input" tab.



4. Select "WebMic" under the "Output" tab.



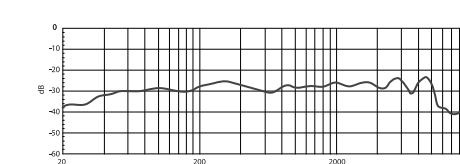
**Features**

- High-quality desktop USB microphone
- Ideal for home-studio recording, podcasting, vocal performance, etc
- Compatible with PC/Mac computers
- Gain control, headphone volume control, and mute function
- 3.5mm headphone jack for real-time monitoring
- Cardioid polar pattern
- Durable detachable microphone desktop stand

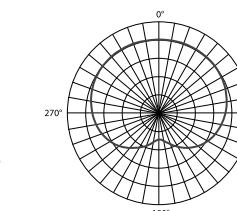
**Specifications**

Polar Pattern	Cardioid
Frequency Response	20Hz-20kHz
Sensitivity	-45dB (0dB=1V/Pa, 1kHz 1Pa)
Power Consumption	5V/120mA
Signal to Noise Ratio	75dB
Maximum SPL	110dB
Mic Gain	38dB
Sample Rate	48kHz
Bit Depth	16bit/24bit
Audio Output Connector	3.5mm headphone output
	USB-C
Dimensions	249.6x114.9x118.8mm (9.9x4.5x4.7")
Weight	556g (19.6 oz)

**Frequency Response**



**Polar Pattern**



**HAPPY? LET US KNOW!**

Share your experience with others by reviewing your product on Amazon. Scan the QR code below or visit: [amazon.com/review/review-your-purchases/](https://www.amazon.com/review/review-your-purchases/)



**Act Now!**

This product includes a 1 year limited warranty. If you register the product within 30 days of purchase, you'll receive an additional 1-year warranty extension for a total of two years of protection.

To register your product and for full details on the warranty, visit [www.movophoto.com/warranty](http://www.movophoto.com/warranty) or scan QR code:



**NOT HAPPY? LET US HELP!**

Our friendly and responsive customer service wants to make sure you have the best experience possible!

Call us at 1-800-354-1739 (US)

Email us at support@movophoto.com

Monday-Friday: 9 am - 4 pm (PST)

Live chat us at [www.movophoto.com](http://www.movophoto.com)



Facebook & Youtube: /movophotogroup  
Twitter & Instagram: @movophoto

Movo  
[www.movophoto.com](http://www.movophoto.com)  
support@movophoto.com