

VGC-30

18" Ring Light Kit Manual



MOVO
Creators Wanted

Introduction

Thank you for choosing the VGC-30 Ring Light from Movo!

The VGC-30 is an LED ring light with an 18" diameter. Its 432 bulbs provide 26 different color modes, each of which can be adjusted for brightness.

The accompanying tripod stand extends up to 7 feet high. Its head can be tilted to various angles and features a cold shoe mount on the light control panel.

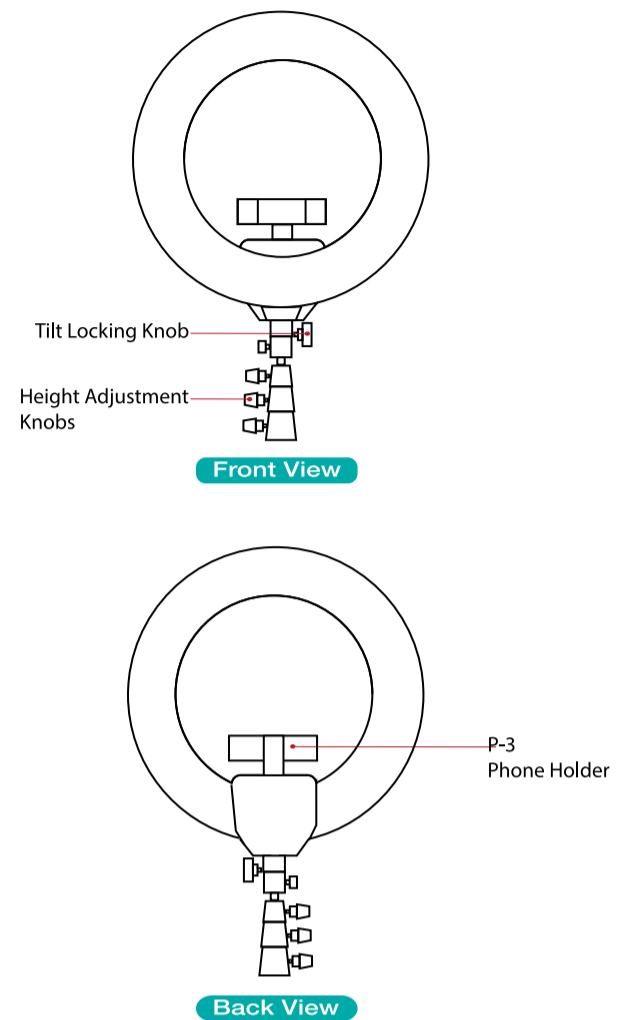
The phone holder allows you to mount your smartphone device in the center of the ring, perfect for recording vlogs, referencing notes, and more.

Specifications

Working voltage	AC100-240V
Input power	White/Warm 40W RGB 30W
LED Bulb Count	192 Bulbs White Lamp 192 Bulbs Warm Lamp 48 Bulbs RGB Lamp
Color Temperature	3200-6500K
Color Modes	4 Daily Light Modes 22 RGB Scene Modes
CRI	>95
Remote range	10 Meters
Lumens	4000LUX
Brightness	0-100% Adjustable
LED Beam Angle	120°

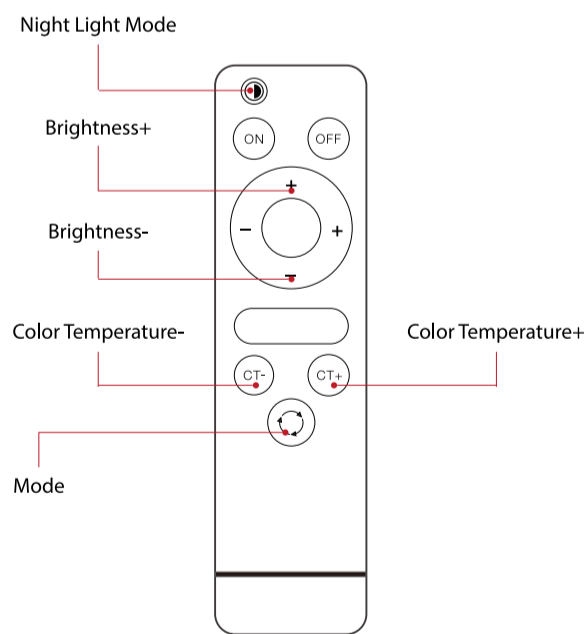
1

Components



2

Remote Guide



Wireless Remote

3

Includes

- VGC-30 Ring Light
- AC Power Adapter
- IR Remote
- Adjustable Tripod Stand
- Built-in Phone Mount
- P-3 Phone Mount
- Ring Light Carry Bag

Notes and Disclaimers

- Keep in a dry, ventilated environment that is safe from rain or moisture to avoid short-circuiting the device.
- To prevent unnecessary power consumption, leave device unplugged if it is not being used for an extended period of time.
- For your safety, do not disassemble the ring light. In the event of a malfunction, contact Movo customer service or a qualified technician to repair your product.

4

HAPPY? LET US KNOW!

We love to hear from customers!
Share your experience with others by reviewing your product on Amazon. Scan the QR code below or visit:
amazon.com/review/review-your-purchases/



Act Now!
This product includes a 1 year limited warranty. If you register the product within 30 days of purchase, you'll receive an additional 1-year warranty extension for a total of two years of protection.



To register your product and for full details on the warranty, visit www.movophoto.com/warranty or scan QR code:

NOT HAPPY? LET US HELP!

Have any questions or concerns?
Our friendly and responsive customer service wants to make sure you have the best experience possible!

Call us at 1-800-354-1739 (US)

Monday-Friday: 9 am - 4 pm (PST)

Email us at support@movophoto.com

Live chat us at www.movophoto.com



Facebook & Youtube: /movophotogroup
Twitter & Instagram: @movophoto

Movo Photo Group
www.movophoto.com
support@movophoto.com