

# DoubleMic Di

Dual-capsule Condenser Microphone Manual



**MOVO**  
Creators Wanted

## Instruction Manual

Thank you for choosing MOVO!

The DoubleMic Di is a dual-capsule cardioid microphone, capturing high-quality sound from both front and rear sides.

With an MFi-certificated Lightning connector, the DoubleMic Di is compatible with iOS devices, such as the iPhone and iPad.

In addition to the two microphone heads, the DoubleMic Di features a 3.5mm jack for headphone monitoring, a +5dB/0dB/-5dB switch, and a Front/Stereo/Back switch.

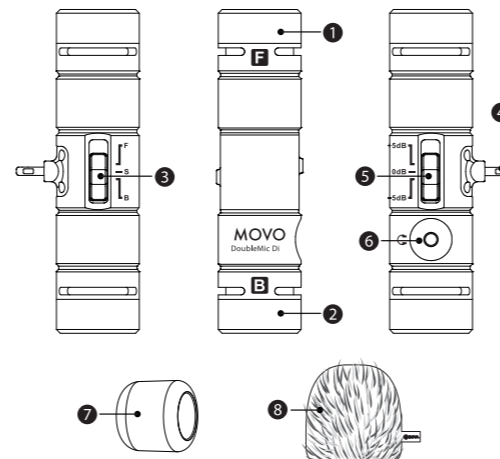
The DoubleMic Di provides a great audio recording solution for two-person podcasts, vlogs, interviews, and much more.

### Package Contents

- DoubleMic Di Microphone
- Carrying Case
- Fur Windscreen (2)
- Foam Windscreen (2)
- User Manual
- Warranty Card

1

## Product Structure



1. Front Microphone Capsule
2. Back Microphone Capsule
3. Front(F)/Stereo(S)/Back(B) Switch
4. MFi-Certificated Lightning Connector
5. +5dB/0dB/-5dB Switch
  - Adjust the audio input level according to your needs.
6. 3.5mm Headphone Output Jack
  - Connect headphones to monitor audio.
7. Foam Windscreen
8. Fur Windscreen

2



- Please read these instructions thoroughly before you use this equipment for the first time. They contain everything you need to know in order to avoid damage to persons or property.
- Strictly follow all notes on safety in these instructions.
- Keep these instructions for use in a safe place. If you sell your equipment or pass it on to someone else, you should also pass on these instructions.



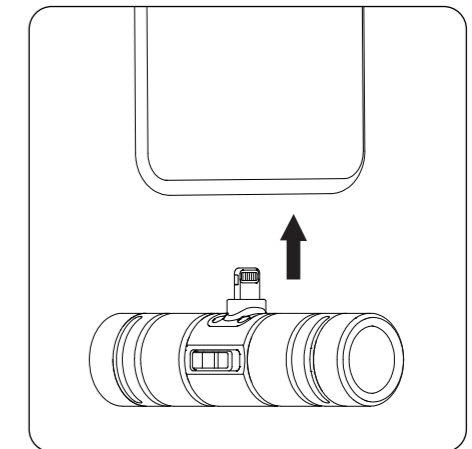
### Waste disposal and protection of the environment.

Electric and electronic appliances as well as batteries must not be disposed of together with domestic waste. The user is legally obliged to return electric and electronic appliances as well as batteries to specially set up public collecting points or the sales outlet once they have reached the end of their service life. Details are regulated by national law. The symbol on the product, the instructions for use or the packaging refers to these provisions. The recycling, the material-sensitive recycling or any other form of recycling of waste equipment/batteries is an important contribution to the protection of our environment.

3

## Operation Guide

### 1. Attach the microphone to your smartphone

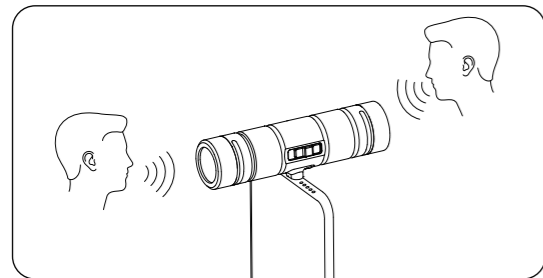


### 2. Set the F/S/B switch according to your needs.

- F (Front): Only the front microphone records sound.
- S (Stereo): Both the front and the back microphones record sound.
- B (Back): Only the back microphone records sound.

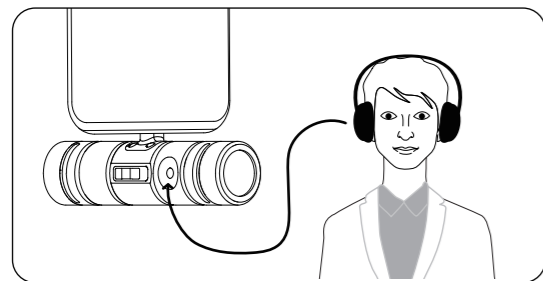
4

### 3. Open the audio/video capture app on your phone and record



### 4. Connect headphones to monitor the audio if necessary

- The headphone jack supports real-time monitoring and playback monitoring when using a third party audio/video capture app.



### 5. Set the +5dB/0dB/-5dB switch according to your needs.

5

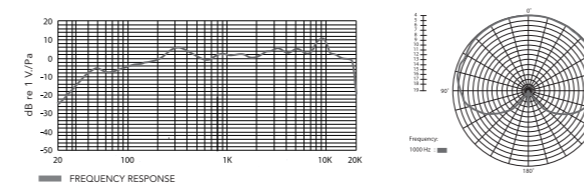
## Features

- Dual-capsule cardioid microphone built for iOS devices
- Ideal for vlogging, mobile journalism, livestreaming, and more
- Delivers high-quality and intelligible sound
- Plug-and-play design, no batteries required
- Durable metal body
- Front/Stereo/Back modes designed for varying demands
- Supports real-time and playback headphone monitoring
- Foam and fur windscreens included

6

## Specifications

Output Connector	MFi-Certificated Lightning Connector
Sensitivity	-36+/-3dB(0dB=1V/Pa,at 1KHz)
Polar Pattern	Cardioid
Signal to Noise Ratio	80dB
Frequency Response	45Hz-20kHz
Gain	25dB; 30dB; 35dB
Sampling Frequency	44.1 kHz / 48 kHz
Bitrate	16Bit / 24Bit
Power Requirement	Supplied by iOS device
Weight	47g
Dimensions	86.0x22.9x32.6 mm



7

## HAPPY? LET US KNOW!



### We love to hear from customers!

Share your experience with others by reviewing your product on Amazon. Scan the QR code below or visit: [amazon.com/review/review-your-purchases#](https://amazon.com/review/review-your-purchases#).



### Act Now!

This product includes a 1 year limited warranty. If you register the product within 30 days of purchase, you'll receive an additional 1-year warranty extension for a total of two years of protection.

To register your product and for full details on the warranty, visit [www.movophoto.com/warranty](https://www.movophoto.com/warranty) or scan QR code:



## NOT HAPPY? LET US HELP!



**Have any questions or concerns?** Our friendly and responsive customer service wants to make sure you have the best experience possible!



Call us at  
1-800-354-1739 (US)



Email us at  
[support@movophoto.com](mailto:support@movophoto.com)



Monday-Friday:  
9 am - 4 pm (PST)



Live chat us at  
[www.movophoto.com](https://www.movophoto.com)



Facebook & Youtube: /movophotogroup  
Twitter & Instagram: @movophoto

Movophoto Inc  
[www.movophoto.com](https://www.movophoto.com)  
[support@movophoto.com](mailto:support@movophoto.com)