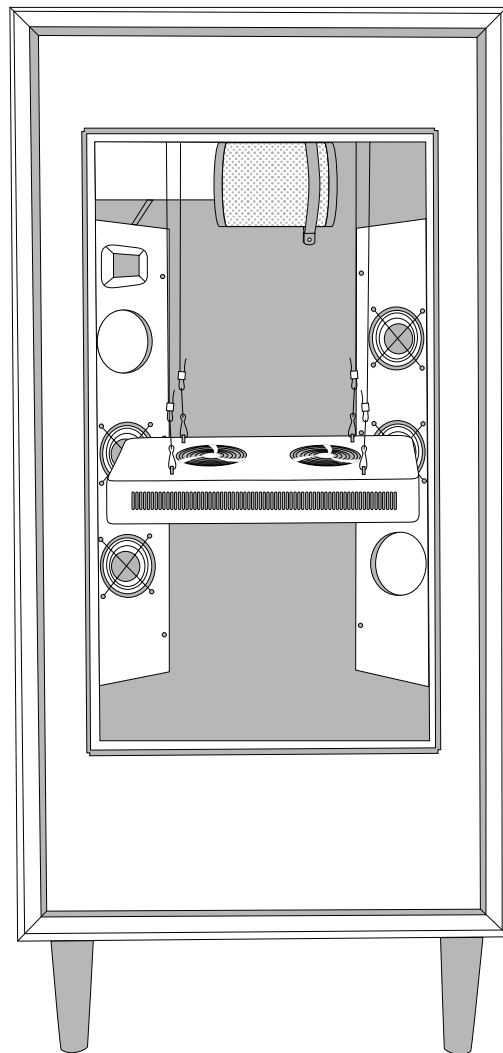
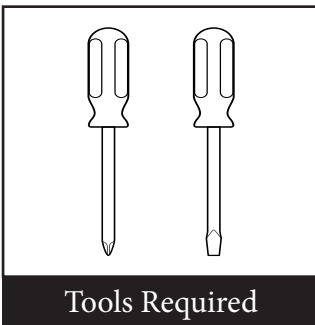
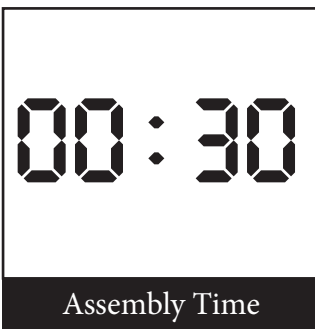


# *The* **ARMOIRE**

## Quick Start Guide

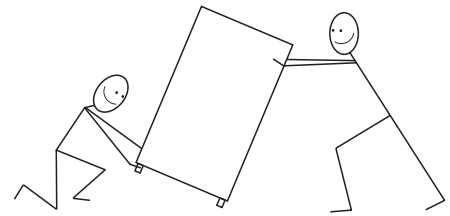


**Customer Service**  
3 Charlesview Road, Unit C  
Hopedale, MA 01747  
(617) 765-2334 x102

# Introduction

## Welcome

Thank you for trusting Green Goddess Supply with your personal home grow needs!

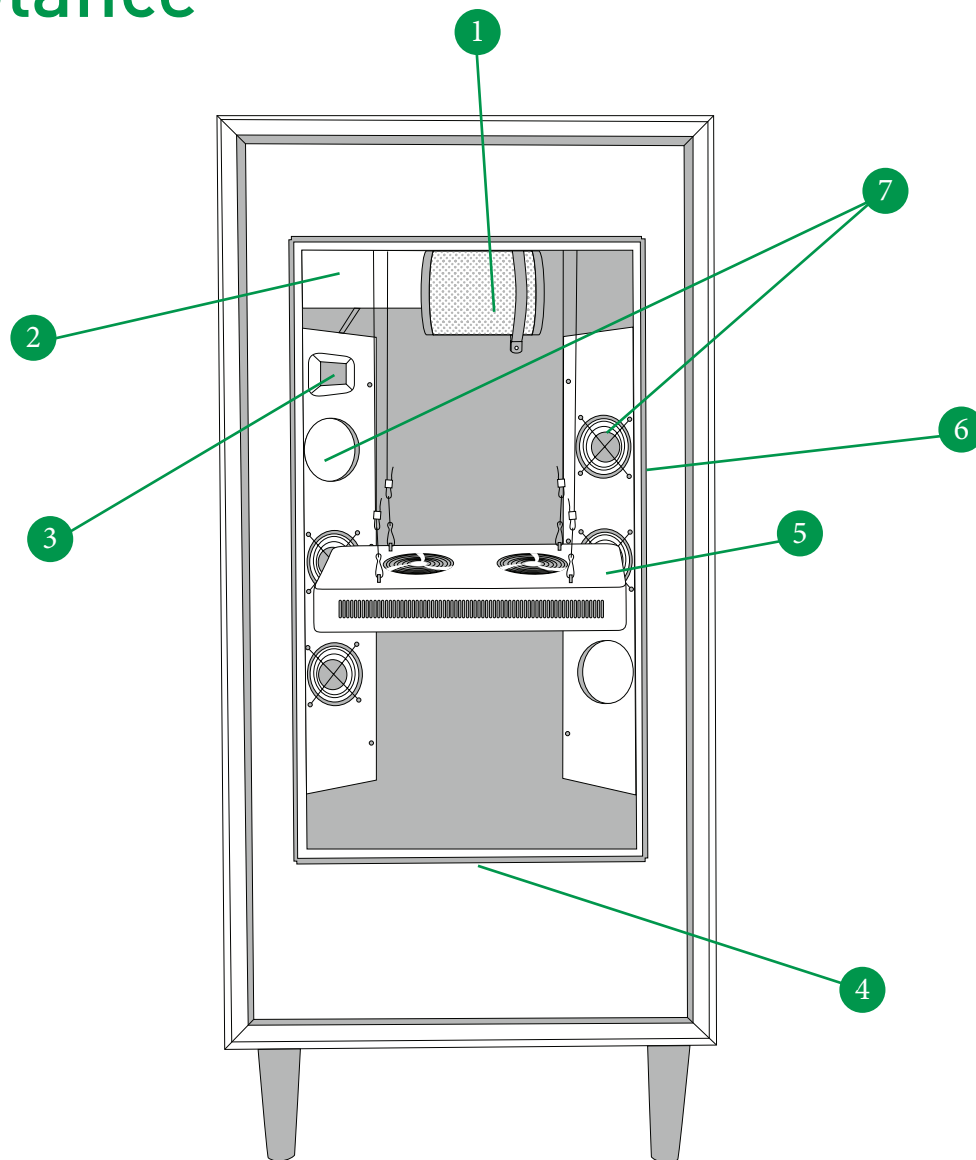


Don't move it alone, get a friend...

## What's in the Box

- Four Legs, 2 Door Handles
- Exhaust Fan Assembly with Controller Module
- 100W Proprietary LED Light
- Carbon Scrubber
- Remote View WiFi Camera
- Silent Light Timer
- Accessories include: moisture meter, cloth pot, water collection saucer, LED sunglasses, starter bamboo “sticks” for stress training, surge protector, child proof lock activator “knob”, 4 winch ropes, and a hoseclamp.

# At a Glance



- 1 Carbon Scrubber
- 2 Exhaust Fan Assembly
- 3 Fan Controller Module
- 4 French Cleat (bottom door frame)
- 5 Proprietary LED Grow Light
- 6 Childproof Magnetic Lock
- 7 Internal Fan Assemblies (x2)

# Important

## Read First

**Note:** Beware of live houseplants! Houseplants can have little critters in/on them that can migrate to the Armoire if placed in proximity. If you have any houseplants, do not place any directly on top of or next to the Armoire for aesthetics. If you have them elsewhere in the house, inspect for aphids or other “critters” — you do not want to accidentally introduce any pests into the system at any time! The system is designed to keep pests out (and even repel them) but we don’t need to tempt fate by practically putting them in the Armoire!

Make sure your hands are clean and clothes have not been exposed to a garden or field-like environment. We recommend wearing thin gloves when working with the system but some people don’t like to wear gloves at all. In that case, scrub like a surgeon before each significant interaction with your plant. Again, you don’t want to be out doing yard work (gardening, cutting the grass, etc.) and then come inside and work in The Armoire -- you could introduce microscopic pests hitching a ride in your clothing when you open the door to the Armoire.

## Importance of Location

To regulate the temperature inside the chamber, do not set up in front of a window (direct sunlight). In addition, the ambient room temperature should be no cooler than 65F and no higher than 77F. The internal temperature is usually between 75-80 degrees F after the system has been running for a few hours. The plants can thrive in temps as high as 82 degrees F, but you will have greater success if you can keep the internal temperature between 75-78 degrees F.

A Note about synthetic wood veneers: Every man made device or furniture is subject to slight flaws in appearance. Think guitar wood grain for example. Although synthetic, it is an expensive and time consuming process to apply veneer. You may find minor bubbling

and or uneven surfaces. This is normal. And over time, the chamber will “settle in” to your environment. Clean it with a soft cloth and dust as you would normal furniture. Do not use harsh chemicals. A little dishwashing soap and water or all around/all purpose glass cleaner without ammonia is recommended.

Over 4 years of prototyping and testing has gone into The Armoire and it will provide you with years of service. Your success will only get better with each grow cycle. Of course, if things go wrong, we are here to help. Our website has a growing FAQ section with many tips and information, or you can contact us directly through our website [www.GreenGoddessSupply.com](http://www.GreenGoddessSupply.com)

# Getting Started

## Setup & Protocol

The next few pages will show you how to setup your unit and get it ready for your first grow! This will be a one-time process to get The Armoire system up and running -- installing the door handles and feet, hanging the light, etc.

From that point forward, and on an ongoing basis, you will want to follow our unique growing protocol that yields amazing results, even for the first-time beginner!

We have documented the entire protocol on our website in the Armoire sub-section.

Simply navigate to “The Armoire” menu option on our website, and then select the “Help Center / FAQ” option from the drop-down menu. The entire step-by-step protocol is listed, in plain English and is easy to follow and searchable as well. We also have a PDF version of the full protocol in a downloadable “User Manual” for those who prefer to print a physical copy.

Make sure to join our Facebook Group for Armoire owners too! You can search for “The Armoire VIPs” or link to:

[facebook.com/groups/thearmoirevips](https://facebook.com/groups/thearmoirevips)

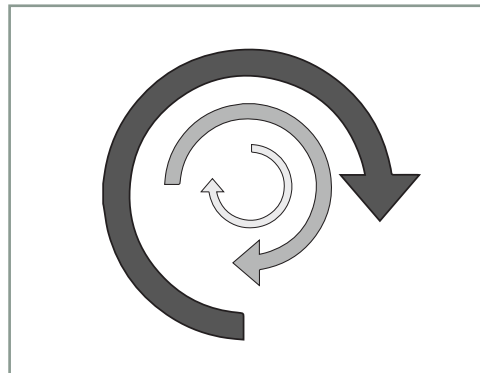
## Basic Armoire Assembly

### 1 Attach the Four Legs

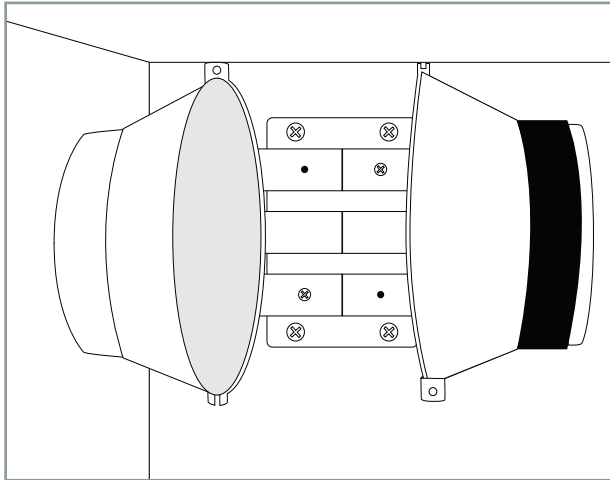
When you remove The Armoire from the packaging, it's easiest to gently lay the box on its side and gently slide it out by gripping the open air-intake holes on the bottom. Attach the feet while its still laying on its side and you have full access to the bottom.

The four legs screw in clockwise. Turn them until snug. Do not over tighten.

Note that if the threads are short and don't “grab”, you can extend them - the main body (the round cylinder) actually screws up/down on the bolt that goes all the way through.



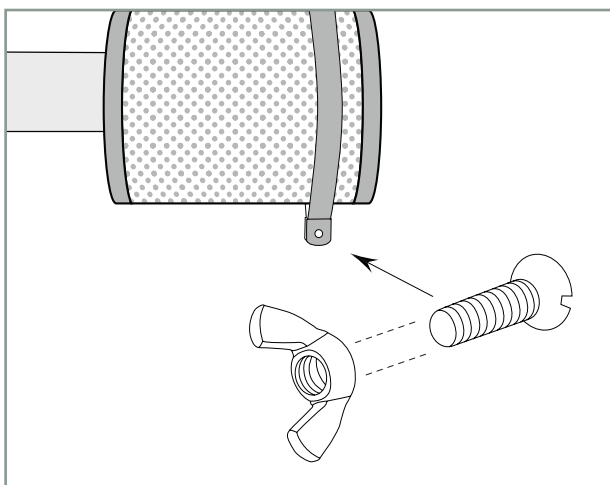
While The Armoire is still on its side and you have full access to the bottom, it's a good time to slide in the two filters for the air-intake holes on the bottom of the unit. These are roughly 4" square plastic pieces with fine mesh screens. They slide easily into the pre-installed holders located on the bottom of the unit.



## 2 Install the Fan Assembly

The empty mounting bracket for the fan will be pre-installed into the cabinet. We leave the actual fan/motor section out for shipping. Simply slide the fan into the empty middle area of the bracket with the power cord extending straight down, and secure it in place with the plastic straps and black plastic clips. The straps are circular and secure the edge of the fan with the edge of the bracket - one on the left, and one on the right. Each strap has a small black clip that snaps in-place to secure the opposite ends of the strap together. The arrow on the fan will point to the left (same direction as the arrow printed on the bracket). Air should flow left, out of the unit.

Next, connect the thin white cord coming out of the fan to the fan controller unit. The small, square digital fan controller unit is pre-installed on the top of the left quarter panel above the internal fans.



## 3 Attach Carbon Scrubber

Now that the fan assembly is in place, slide a 4" diameter ring clamp loosely over the exhaust pipe (left side) of the carbon scrubber, and then slide the scrubber over the right end of the fan assembly to connect them in place. (The activated carbon is already loaded inside). Tighten the clamp to keep the carbon scrubber connected to the fan, but don't over-tighten since the fan is plastic. Now secure the carbon scrubber with the metal strap as illustrated. It may be easier to remove the wing nut entirely to put the scrubber in place, then put it back.

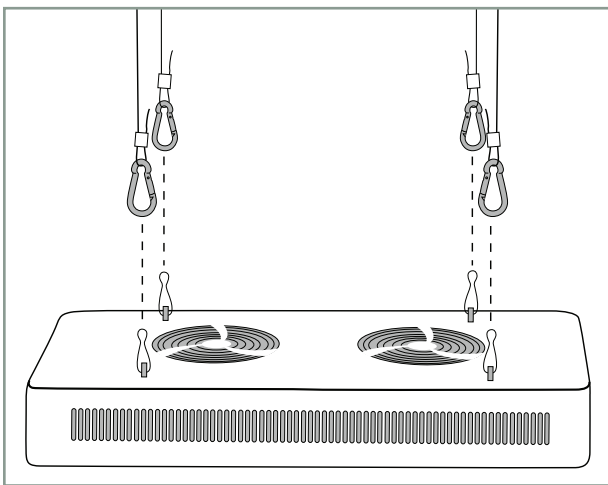
The optional white cotton sheath can be left off for better air flow / cooling.

## 4 Placement in Room

Ambient room temperature no colder than 65 degrees Fahrenheit and no warmer than 77 degrees Fahrenheit.

This is a good time to attach the door handles with the four screws provided.

65°-77°F



## 5 Hang the LED Light

Remove the LED from the accessory box put it on the floor of the box, clip it, then winch it up using the four winch System.

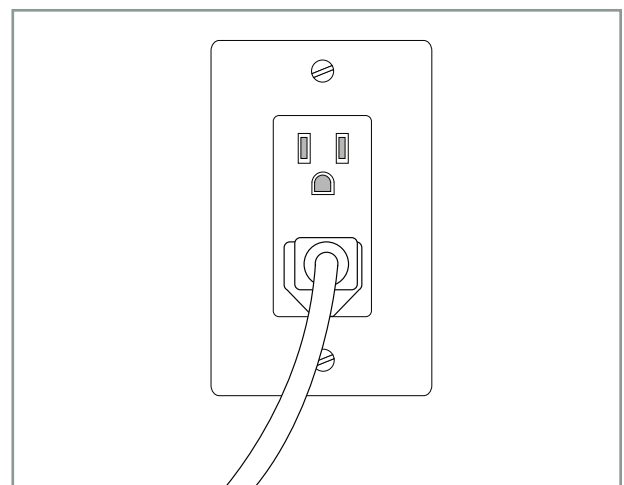
The winch ropes are long so we have included small plastic hangers/hooks that can be installed in the upper FRONT left and right corners of the cabinet to provide a convenient place to hang the excess rope and keep it tucked neatly out of the way.

## 6 Assemble and Attach Electric Cords

All electrical cords go out the back thru the grommet. The light will plug into the timer module, which in turn plugs into the Surge Protector (power string), and all other cords plug directly into the Surge Protector.

Having a standard 110V outlet directly behind the chamber is recommended.

**NOTE:** Make sure all cords for the light and fans exit the box and plug into the included power strip (surge suppressor) OUTSIDE the box. Do not assemble inside the unit - you may spill water in the unit when watering your plant!



**NOTE: Please use the Concierge Service!** Call when you're ready to plant. It's free for your first grow! We will walk you through planting, stress training and more. Don't struggle, call!



GREEN GODDESS<sup>®</sup>  
S U P P L Y

3 Charlesview Road, Unit C  
Hopedale, MA 01747

[www.GreenGoddessSupply.com](http://www.GreenGoddessSupply.com)

(617) 765-2334

Conceierge Service: x102

Sales: x100

Join our Facebook Community!  
[facebook.com/groups/thearmoirevips](https://facebook.com/groups/thearmoirevips)