





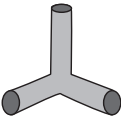
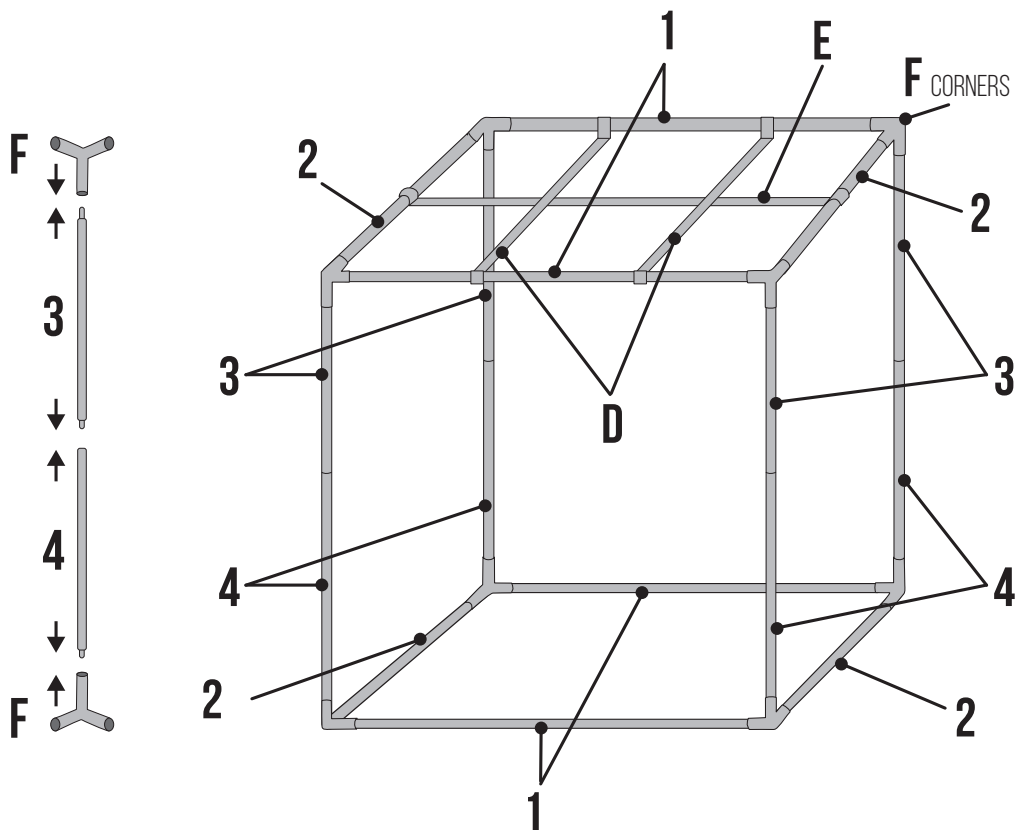


# STEP 1 • PARTS LIST & FRAME ASSEMBLY

## FRAME PARTS LIST

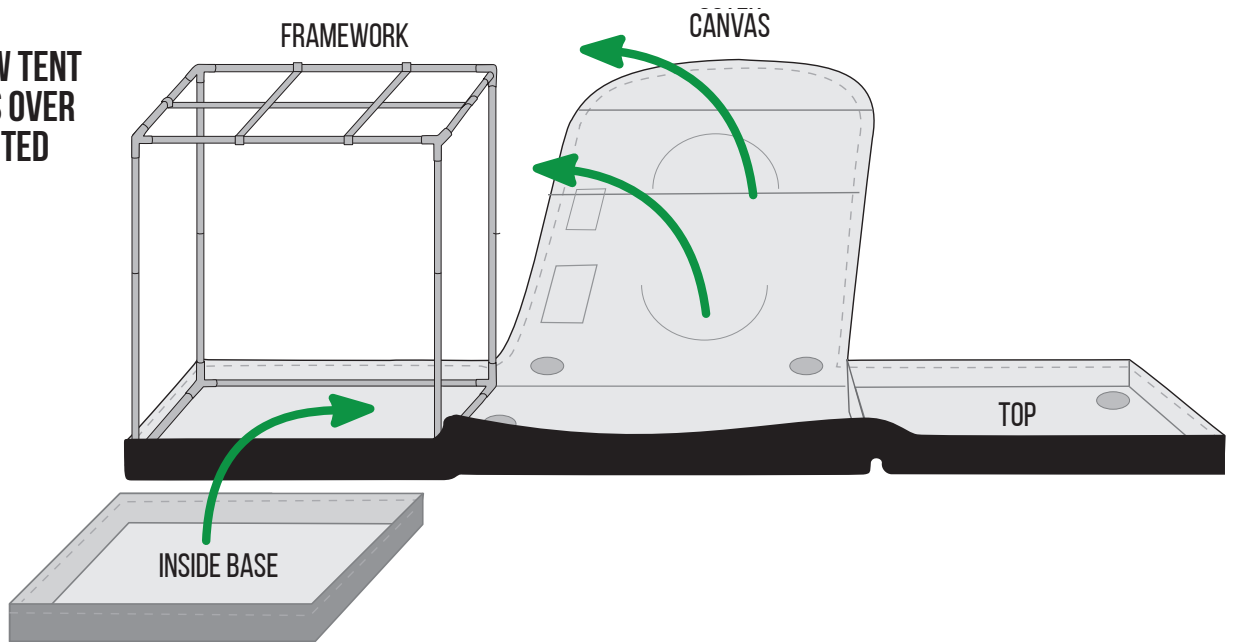
- 1  X4 LONGER TOP/BOTTOM BARS
- 2  X4 SHORTER TOP/BOTTOM BARS
- 3  X4 SHORTER SIDE BARS (MALE)
- 4  X4 SHORTER SIDE BARS (FEMALE)
- D  X2 SHORTER TOP BARS
- E  X1 LONG MIDDLE TOP BAR
- F  X8 CORNERS

## STEP 1 ASSEMBLE FRAME AS SHOWN

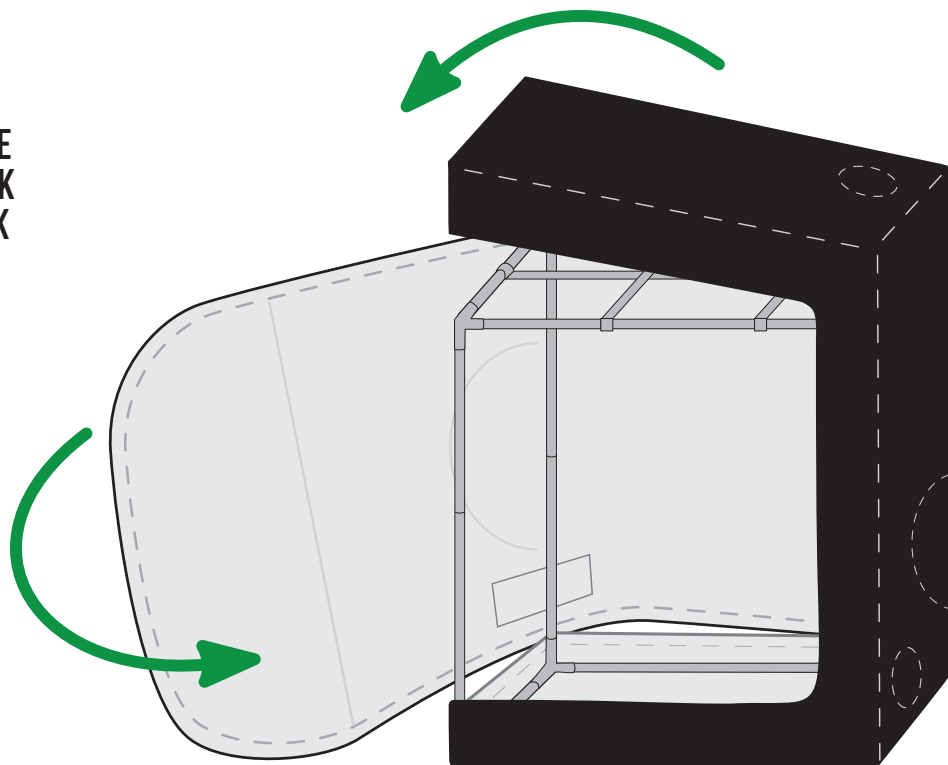


# STEPS 2 & 3

**STEP 2**  
PULL THE GROW TENT  
OUTER CANVAS OVER  
THE CONSTRUCTED  
FRAMEWORK



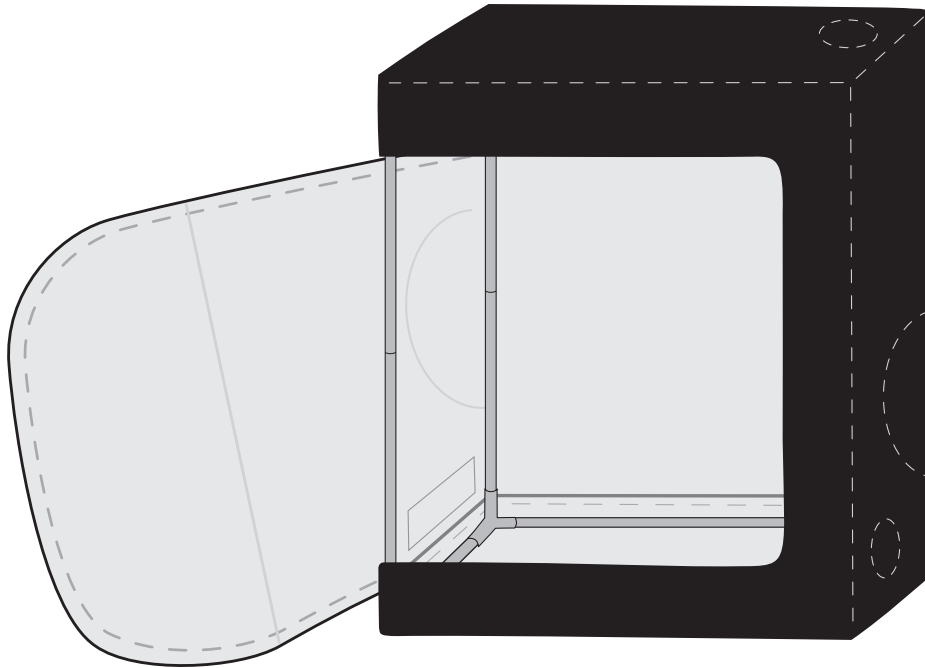
**STEP 3**  
WRAP THE OUTER  
CANVAS AROUND THE  
RIGHT, TOP AND BACK  
SIDE OF FRAMEWORK



**STEP 4 & 5 ON BACKSIDE**

# STEPS 4 & 5

**STEP 4**  
CONTINUE TO WRAP  
THE OUTER CANVAS  
AROUND LEFT SIDE  
OF FRAMEWORK



**STEP 5**  
WRAP FRONT SIDE  
AROUND FRAMEWORK  
TO COMPLETE ASSEMBLY

