

Double or single bed in brass tubular OT63, section cm 3x3. Inside supporting structure in tubular steel and roll up orthopaedic bed base made of 16 slatted in multilayered beech and pvc side band. The bed can be completed with headboard art **slim** in varnished metal plate and with the headbord art **free**, padded pannel wall hanging, customizable sizes and shapes by project, finishing available in the samples collection.

Items matching: coffee tables, rugs, pouf, cupboards...

*Measurements:*

ASHABRASS BASIC bed structure	bed base cm 90x200
	total dimension cm 97x207
	bed base cm 160x200
	total dimension cm 167x207
	bed base cm 180x200
	total dimension cm 187x207

*Structure finishes:* bronzed, satined, polished and raw/natural (finishes have not uniforme shades, lighter or darker, due to the value of still crafted workmanship, most of all bronzed finishing)

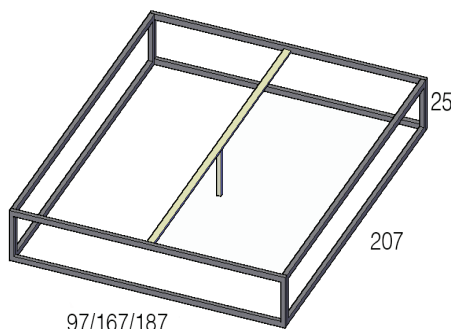
*Maintenance:* clean with soft cloth

*Designer:* xam project studio

*Year of production:* 2017

*Packaging data:*

cm 90x200_disassembled_total kg 53_mc 0,34
n° 2 cardboard boxes: cm 215x100x14 (structure)_cm 97x27x17 (base)
cm 160x200_disassembled_total kg 65_mc 0,69
n° 2 cardboard boxes: cm 215x203x14 (structure)_cm 170x27x17 (base)
cm 180x200_disassembled_total kg 70mc 0,70
n° 2 cardboard boxes: cm 215x203x14 (structure)_cm 180x27x17 (base)



100% made in Italy