

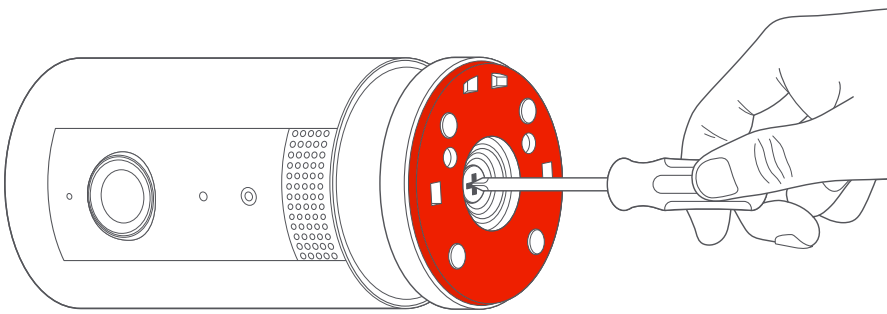
RING CAMERA MOUNT

TO USE YOUR NEW MOUNT YOU WILL NEED TO REPOSITION THE BASE OF YOUR RING CAMERA

Reposition Base & Remove Mounting Bracket

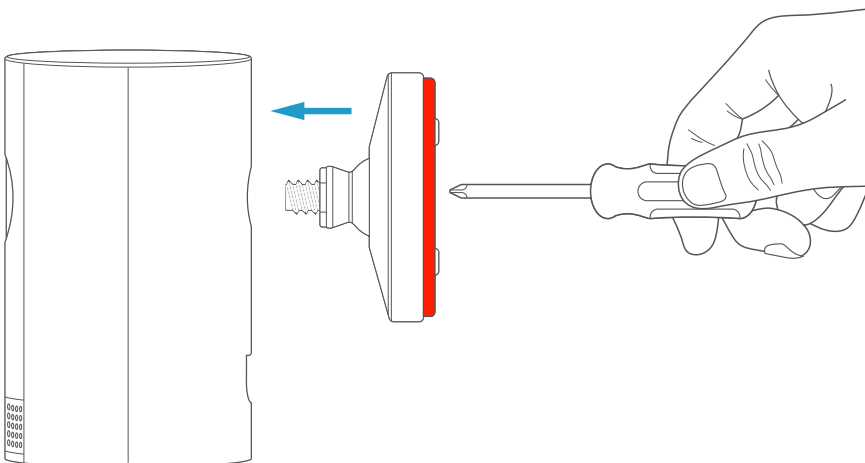
1 Remove the base

Unscrew the base using a standard Phillips-head screwdriver (not included).



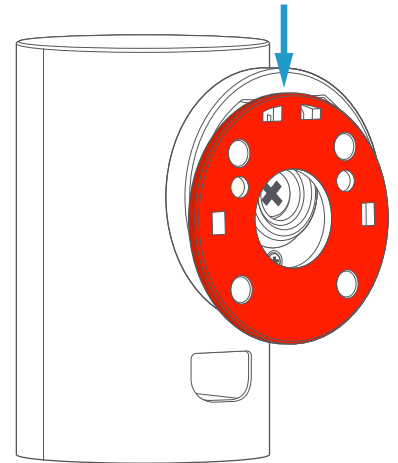
2 Re-attach the base

Screw it into the back of your camera with the "UP" arrow on the bracket pointing upwards.



3 Remove mounting bracket

Push down and slide off the original wall mounting bracket



4 Insert the camera

Now simply slide the camera into the opening of the mount

