


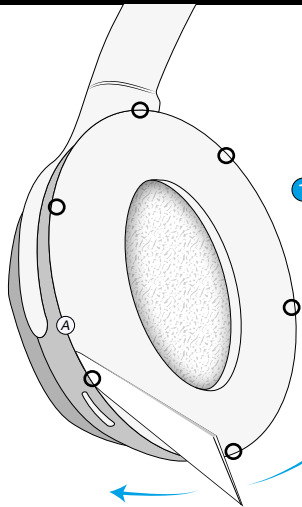
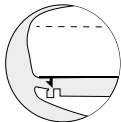
BRAINWAVZ[®]

EARPADS FOR SONY WH1000x M3 QUICK INSTALL GUIDE


Remove Old Pads

NOTE

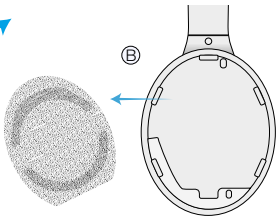
Pads are secured via 6 click-in tabs 



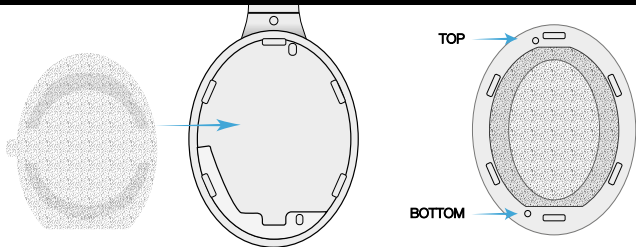
- 1 Gently insert a flat, blunt tool between the earpad and headphone body (A)
- 2 Carefully twist your tool back and forth until the pad starts to break loose, repeat around the pad until it comes free.

 (Use a blunt knife, metal ruler or credit card as a removal tool)

- 3 Gently pull out the original foam pad (B) from inside the earcup and v.



Install Replacement Scrim (Dust Protection)

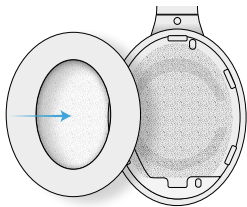


4 Place the fresh foam pad into the earcup.

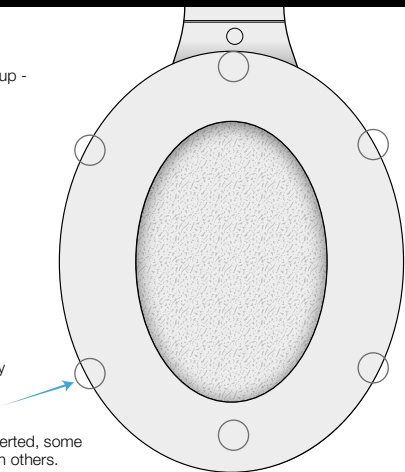
5 *Ensure you orientate the earpad correctly before installing.*

Install Replacement Earpad

6 Place the earpad onto the earcup - ensure correct orientation



7 Push down on the earpad firmly in all 6 locations - a small click may be heard when in place.



Ensure all tabs are correctly inserted, some may take a little more force than others.