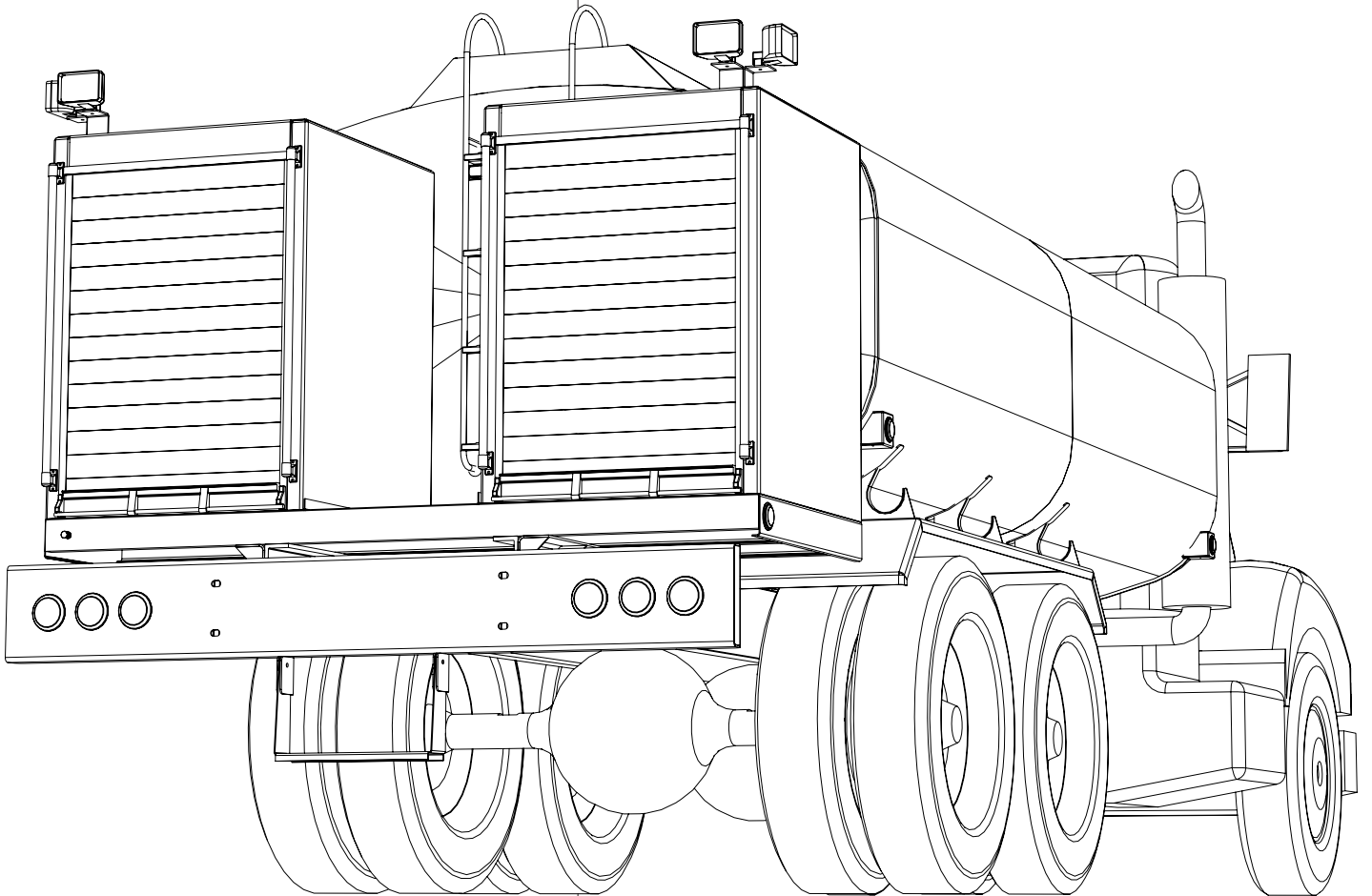




Operations Maintenance Technical Data Parts List

MANUAL FT - REV B JUL 2013



NIECE EQUIPMENT FUEL TRUCK

FT2000, FT4000

CONTENTS

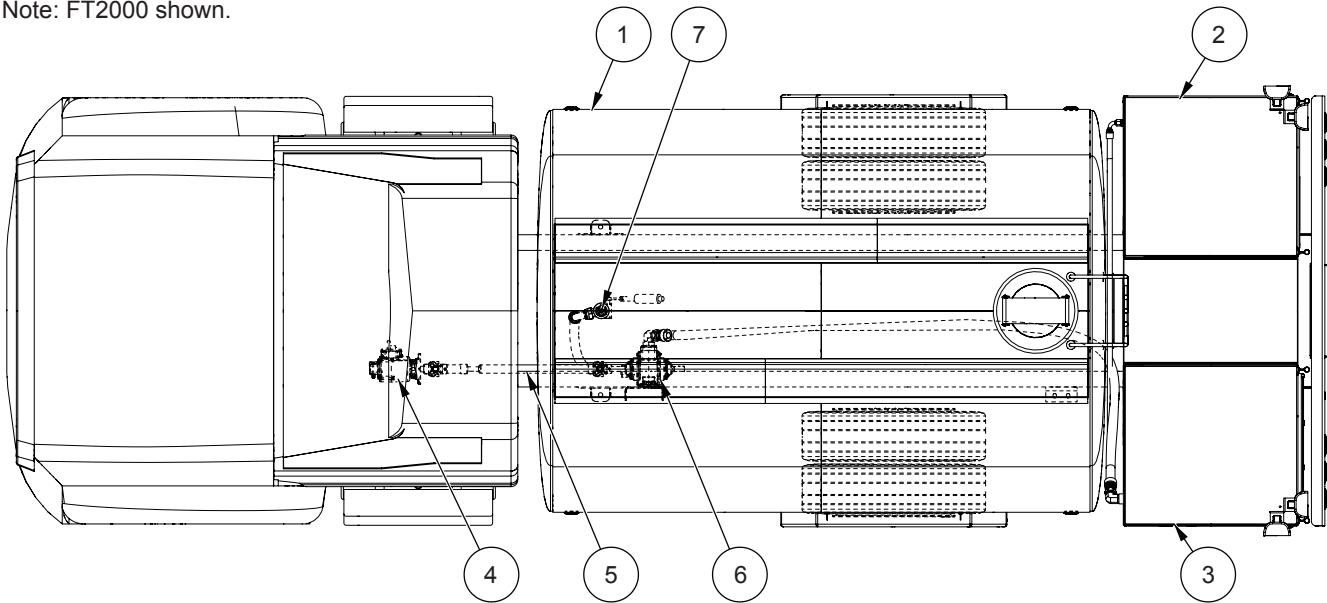
General Information	4
Operations	7
Parts	8
Maintenance	11
Troubleshooting	12
Fuel Truck Schematic	A1
ROM Shutter Series OEM Manual	A2
Blackmer Pump OEM Manual	A3
Muncie PTO OEM Manual	A4
Reelcraft OEM Manuals	A5
GPI Fuel Meter OEM Manual	A6

Thank you for purchasing a Niece Equipment Fuel Truck. Please read through this manual carefully to ensure you get the best results from your equipment and operate it safely. If a problem should arise or if you have any questions, please contact us at 512.252.3808. This manual should be considered a permanent part of the truck and should remain with it at all times.

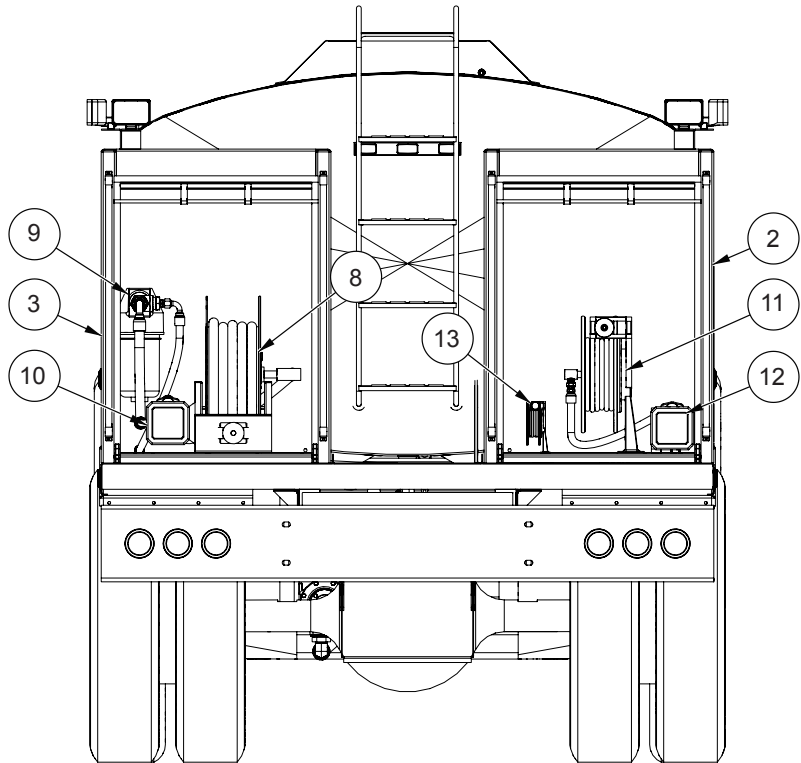
GENERAL INFORMATION - TRUCK OVERVIEW

TRUCK COMPONENTS OVERVIEW

Note: FT2000 shown.

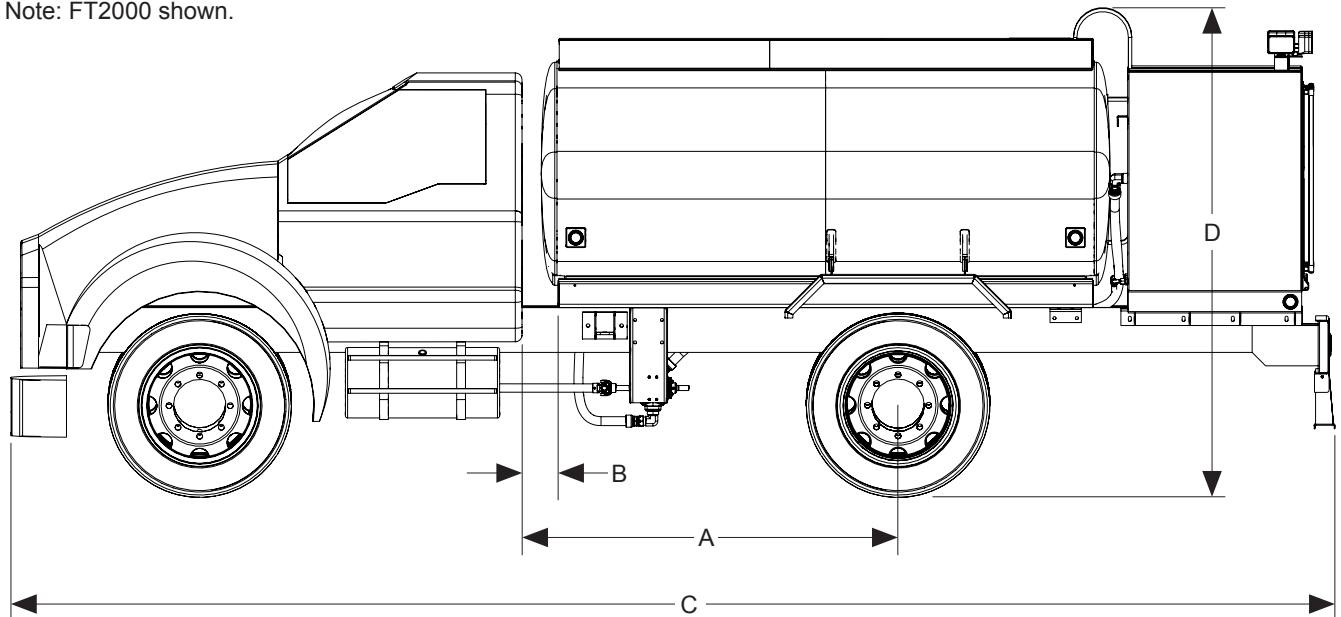


- 1. Diesel Tank
- 2. Curb Side Reel Cage
- 3. Street Side Reel Cage
- 4. Power Take Off
- 5. Driveline
- 6. Blackmer Pump
- 7. Emergency Valve Assembly
- 8. 1" Fuel Reel
- 9. Filter Assembly
- 10. 1" Fuel Meter
- 11. 3/4" Fuel Reel
- 12. 3/4" Fuel Meter
- 13. Grounding Reel



TRUCK DIMENSIONS

Note: FT2000 shown.



DIM	FT2000	FT4000
A	120" (CA)	156" (CT)
B	8"	8"
C*	296"	372"
D*	109"	119"

*Dimensions for reference only.

TRUCK HARDWARE

SIZE	PLAIN	ZINC PL.
1/2-13	106	96
5/8-11	212	191
3/4-10	376	339

Recommended Assembly
Torques (ft./lbs.)

Niece Trucks are built with Production Grade 8 coarse thread matched system components (bolts, nuts, washers) with ultimate tensile strength of 150,000 PSI minimum.

Niece Equipment uses both plain-dry (Plain) and zinc plated (Zinc Pl.) hardware.

Note: the recommended assembly torque values in the table to the left are offered as a guide only.

Note: all torque values are based upon using matched system components and have been tightened from the nut.

Note: subsequent variables such as oil or other lubricants may appreciably alter these values and must be taken into consideration.

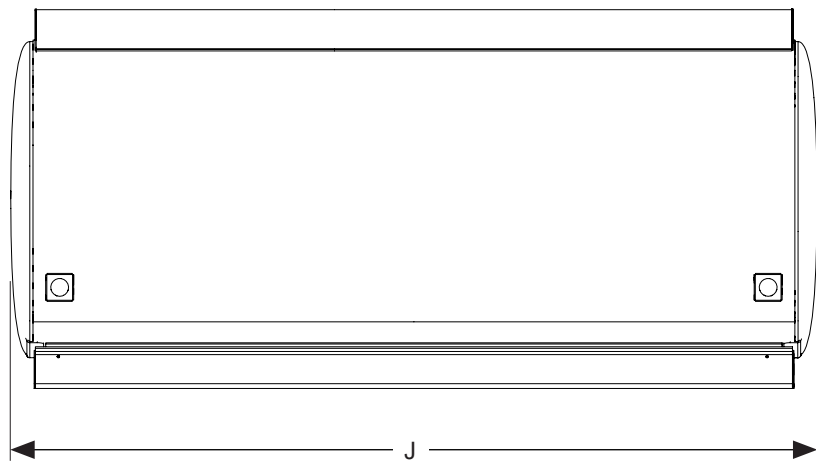
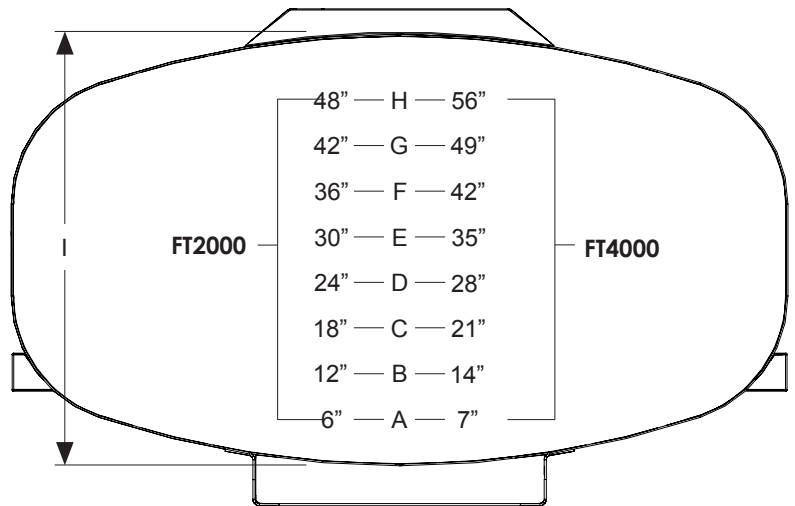
WARNING! It is imperative that all bed and tank mounting bolts are inspected regularly.

GENERAL INFORMATION - FUEL TRUCK TANK FILL PROFILES

FUEL TRUCK TANK FILL PROFILES

Note: 2000 gallon fuel tank shown.

DIM	FT2000	FT4000
A	150 gal	305 gal
B	390 gal	810 gal
C	670 gal	1360 gal
D	965 gal	1915 gal
E	1255 gal	2470 gal
F	1540 gal	3025 gal
G	1805 gal	3560 gal
H	2000 gal	4000 gal
I	50"	60"
J	127"	199 3/4"



ENGAGING THE PTO

Note: Operator is required to have a valid and proper driver's license to operate equipment as mandated by state law.

1. Stop truck and secure parking brake. Shift transmission into neutral.
2. With the engine at an idle, depress clutch and flip the PTO switch to the ON position - the red indicator light will illuminate.
3. When the PTO is fully engaged, you can start operating the fuel system.

WARNING! Never try to engage the PTO without depressing the clutch. Severe damage to the PTO will result.

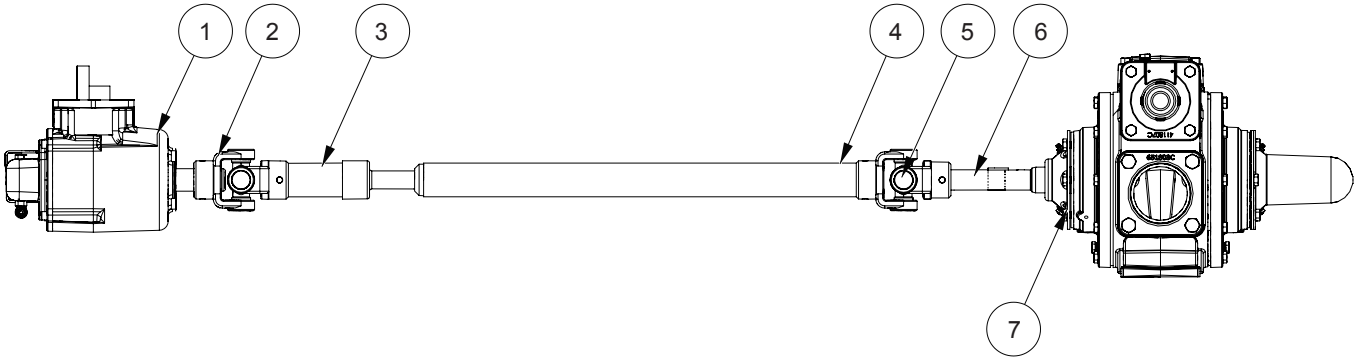
WARNING! Let engine RPM drop before turning switches to OFF. Failure to do so can result in damage to pumps, PTO and/or drive line.

WARNING! Avoid shifting gears with system engaged. Shifting may cause damage to PTO, pumps and/or drive line.

WARNING! Never repair, inspect or maintain system while PTO system is engaged or truck is running. Severe injury or death may result.

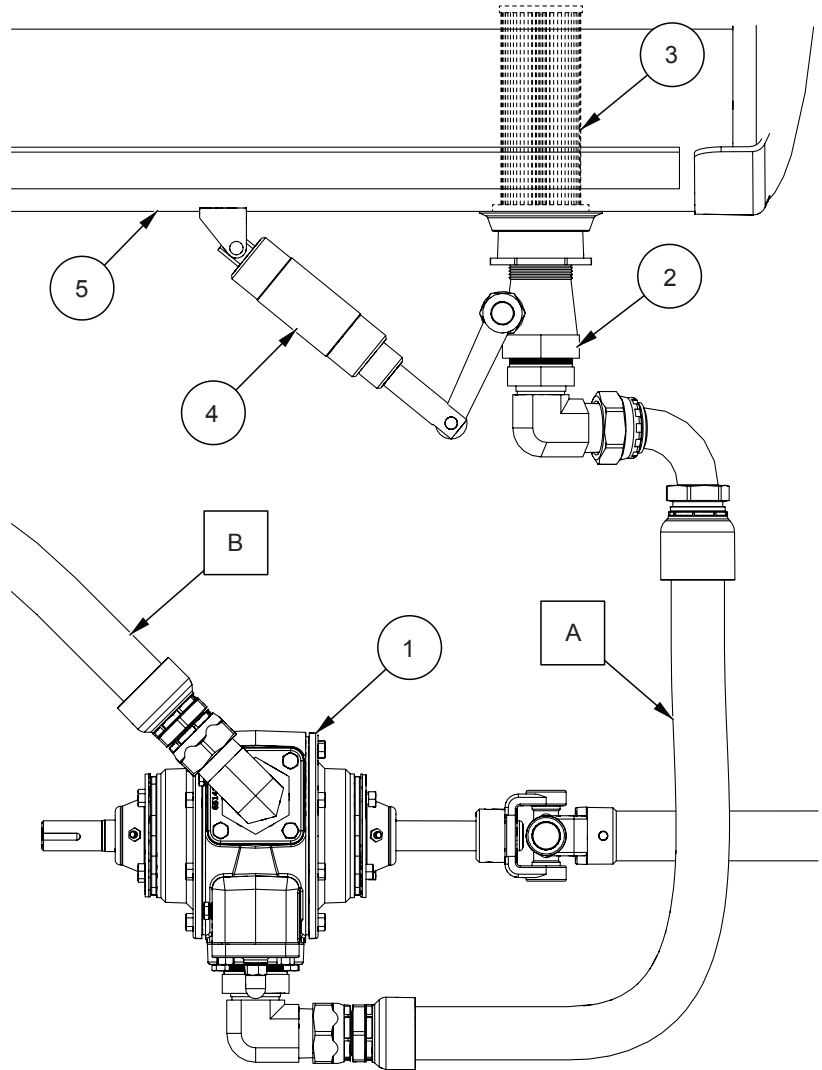
PARTS - PTO/PISTON PUMP, HYDRAULIC RESERVOIR

PTO, DRIVELINE, BLACKMER PUMP



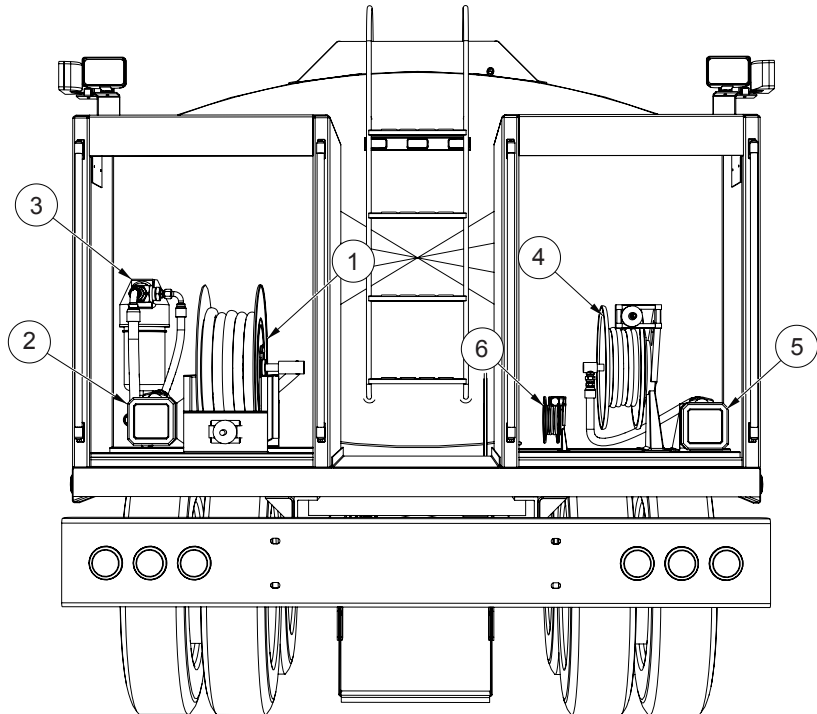
REF.	DESCRIPTION	QTY.	PART #
1	Power Take Off	1	Varies
2	1 1/4" Yoke	1	NI95
3	Slip Yoke	1	NI113
4	1310 Driveline Kit	1	NI97
5	U-Joint	2	NI98
6	1 1/8" Yoke	1	NI96
7	Blackmer Pump	1	35000TXD2A

**FUEL SYSTEM - BLACKMER PUMP,
 EMERGENCY VALVE**



REF.	DESCRIPTION	QTY.	PART #
1	Blackmer Pump	1	35000TXD2A
2	2" Emergency Valve Vitron Seal	1	NI103
3	3" Suction Strainer	1	NI107
4	Clippard Air Cylinder w/ Clevis Bracket	1	NI173
5	Fuel Tank	1	n/a
6	Fuel - Tank to Pump	1	FL TP
7	Fuel - Pump to Reel Cage Bulkhead	1	FL PBH

HOSE REELS, FUEL METERS



REF.	DESCRIPTION	QTY.	PART #
1	Reelcraft FE9450 Hose Reel	1	FE9450
2	GPI MR-530 Fuel Meter	1	2100901
3	Fuel Filter	1	BIO-TEK
4	Reelcraft E83050LP Hose Reel	1	E83050LP
5	GPI MR-530 Fuel Meter	1	2100901
6	Reelcraft Grounding Reel	1	NIG3050N

WARNING! Failure to follow service instructions listed in this manual can lead to permanent damage and/or void factory warranties.

WARNING! In cold weather climates, following maintenance instructions is extremely important.

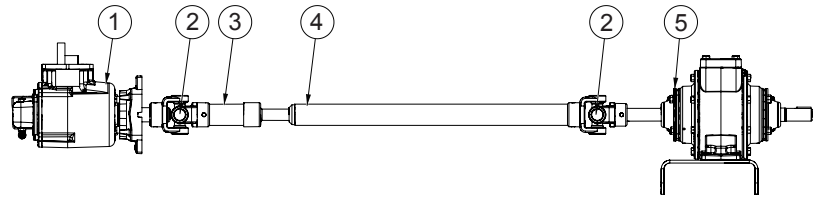


Fig. 1. PTO, Drive line, Pump

TRUCK CAB AND CHASSIS

PUMP AND PTO

WARNING! Never inspect, adjust or repair the pump or PTO while the truck is running.

1. Change the fuel filter every 30,000 gallons.

1. Read and follow pump (Fig. 1 - 5) and PTO (Fig. 1 - 1) maintenance instructions as provided in the Blackmer manual beginning at page 18 and Muncie PTO manual section 2.4.
2. Adjust as instructed in Muncie PTO manual section 2.4.

Note: for pump and PTO maintenance, a grease pump is required.

DRIVELINE

WARNING! Never inspect, adjust or repair the drive line while truck is running.

1. Inspect u-joints (Fig. 1 - 2) and spline shaft (Fig. 1 - 4) for wear weekly.
2. Grease u-joints and slip yoke (Fig. 1 - 3) weekly.

BLACKMER FUEL PUMP

1. Change the fuel filter every 30,000 gallons.
2. Check the pump daily for improper operation such as: chattering, whining, leaking, overheating, running too fast or if it will not stop running.

TANK MOUNTS

WARNING! It is imperative that tank and bed mounts are inspected regularly.

1. Visually inspect the tank mounting bolts daily as part of the DOT pre-trip inspection.
2. Inspect the tank mounts (Fig. 2) weekly to make sure they have not come loose.
3. Check the tank springs to see if they are loose or have too much travel, up and down.

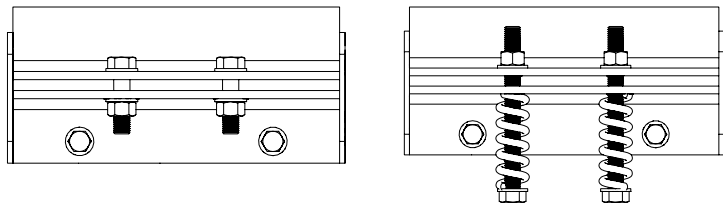


Fig. 2. Tank Mounts (FT4000 mounts shown)

ISSUE

The fuel pump will not pump or is surging off and on.

SOLUTIONS

1. Check if either of the two Emergency Shut Off Switches (Fig. 3-1, Fig. 4-1) are in the closed position.
2. Check both of the Emergency Shut Off Switches for leaks, and if they exhaust when disengaged.
3. Verify that the air supply line (Fig. 5 - 3) is attached to the air cylinder (Fig. 5 - 2) on the Emergency Valve (Fig. 5 - 1) under the fuel tank.
4. Confirm that the fuel tank has fuel.

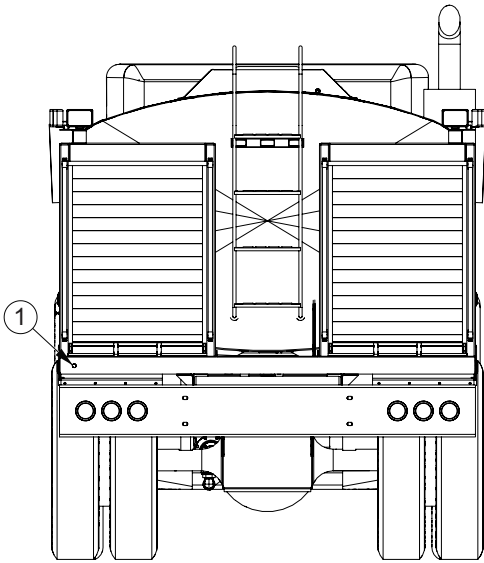


Fig. 3. Rear Emergency Shut Off Switch

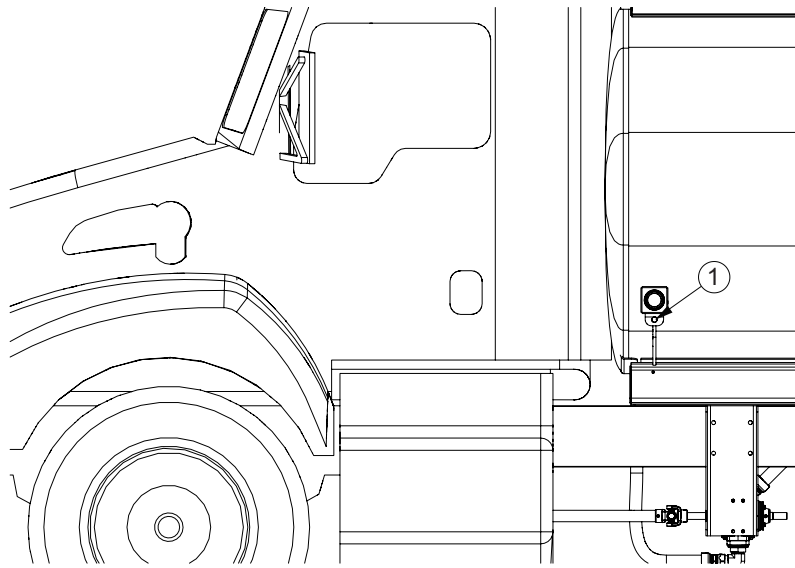


Fig. 4. Driver Side Light Pocket Emergency Shut Off Switch

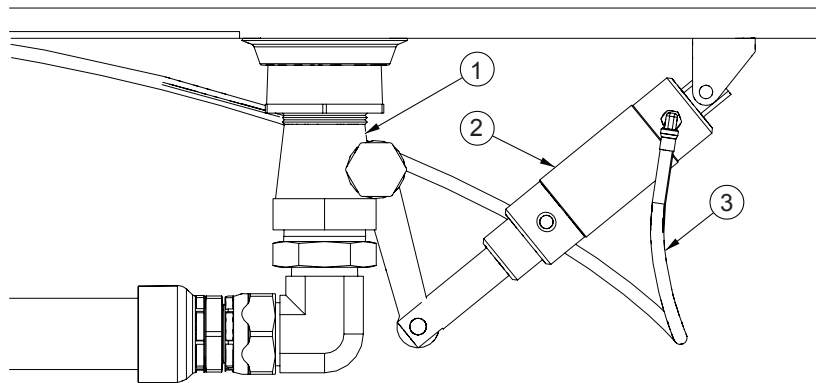


Fig. 5. Fuel Tank Underside - Emergency Valve Assembly



P.O. Box 128, Delle Valle, TX 78617
3039 Hwy 71 E, Delle Valle, TX 78617
512.252.3808 Phone
888.643.2372 Toll Free
512.252.7078 Fax
www.nieceequipment.com

Manual FL - REV A JUL 2013
© 2013 Niece Equipment, LP, all rights reserved



Warranty Statement

Guarantee 12 months Tank - 12 months Discharge

~~~~~

Niece Equipment warrants each new Niece Equipment manufactured tank to be free from defects in materials and workmanship for a period of 12 months after the date of receipt by customer but no longer than 13 months from the date of shipment from Niece Equipment. This warranty is limited to replacement or repair at the manufacture’s plant or authorized service agent, which ever Niece Equipment deems most appropriate to better serve the customer. All warranties are upon inspection of such part or failure item. All freight into the Niece factory or authorized service agent, and back to the customer, shall be the responsibility of the customer.

It is hereby understood that Niece Equipment Inc., warrants only products and accessories manufactured by Niece Equipment. Niece Equipment makes no warranty with respect to engines, motors, gauges or other products not manufactured by Niece Equipment; such being subject to the warranty of their respective manufacturers. Any modifications to the tank, including the interior lining, pump, and other components, without the consent of Niece, will cause this warranty to be null and void. Replacement items shall be genuine Niece Equipment parts.

This warranty does not obligate Niece Equipment Inc. to bear the cost of labor or transportation charges in connection with the replacement or repair of defective parts, nor shall it apply to any product upon which alterations have been made unless authorized by the respective manufacturers.

Using this tank for any other purpose other than the intended purpose at the time of manufacture shall cause this warranty to become null and void.

Niece Equipment Inc. shall be in no event liable for consequential damages or contingent liabilities arising out of the failure of any product or their accessories to operate properly. No expressed or implied or statutory warranty other than herein stated set forth is made or authorized to be made by Niece Equipment Inc.

LIMITATION OF WARRANTY: THE PROVISIONS OF THIS PARAGRAPH ARE THE SELLER’S SOLE WARRANTY. SELLER MAKES NO OTHER WARRANTY OF ANY KIND, EXPRESSED OR IMPLIED, AND ALL IMPLIED WARRANTIES OF MERCHANTABILITY AND FITNESS FOR A PARTICULAR PURPOSE, WHICH EXCEEDS SELLER’S AFORESTATED OBLIGATION, ARE HEREBY DISCLAIMED BY THE SELLER AND EXCLUDED FROM THIS WARRANTY. Seller neither assumes nor authorizes any person to assume for it, any other obligation in connection with the sale of the products. This warranty shall not apply to any product, or parts of products, which (a) have been repaired or altered outside the seller’s factory, or authorized service representative’s control in any manner, or (b) have been subject to misuse, negligence, or accident, or (c) have been used in a manner contrary to seller’s verbal or printed instructions.

***IMPORTANT: Warranty Registration Card must be signed and returned to Niece Equipment for Warranty to be validated.***



**WARRANTY REGISTRATION CARD**

Company Name: \_\_\_\_\_

Product Type: \_\_\_\_\_ Model Number: \_\_\_\_\_

Serial Number: \_\_\_\_\_ VIN: \_\_\_\_\_

*- COPY -  
Keep for your records*

**IMPORTANT**

***This statement must be signed and returned to Niece Equipment to be validated.***

P.O. Box 128 Del Valle, TX 78617

**By signing the purchaser acknowledges that purchaser has Read and Understands the Terms and Conditions of the Warranty Statement.**

Authorized Purchaser's Representative \_\_\_\_\_

Representative's Title \_\_\_\_\_ Date \_\_\_\_\_



**WARRANTY REGISTRATION CARD**

Company Name: \_\_\_\_\_

Product Type: \_\_\_\_\_ Model Number: \_\_\_\_\_

Serial Number: \_\_\_\_\_ VIN: \_\_\_\_\_

**IMPORTANT**

***This statement must be signed and returned to Niece Equipment to be validated.***

P.O. Box 128 Del Valle, TX 78617

**By signing the purchaser acknowledges that purchaser has Read and Understands the Terms and Conditions of the Warranty Statement.**

Authorized Purchaser's Representative \_\_\_\_\_

Representative's Title \_\_\_\_\_ Date \_\_\_\_\_