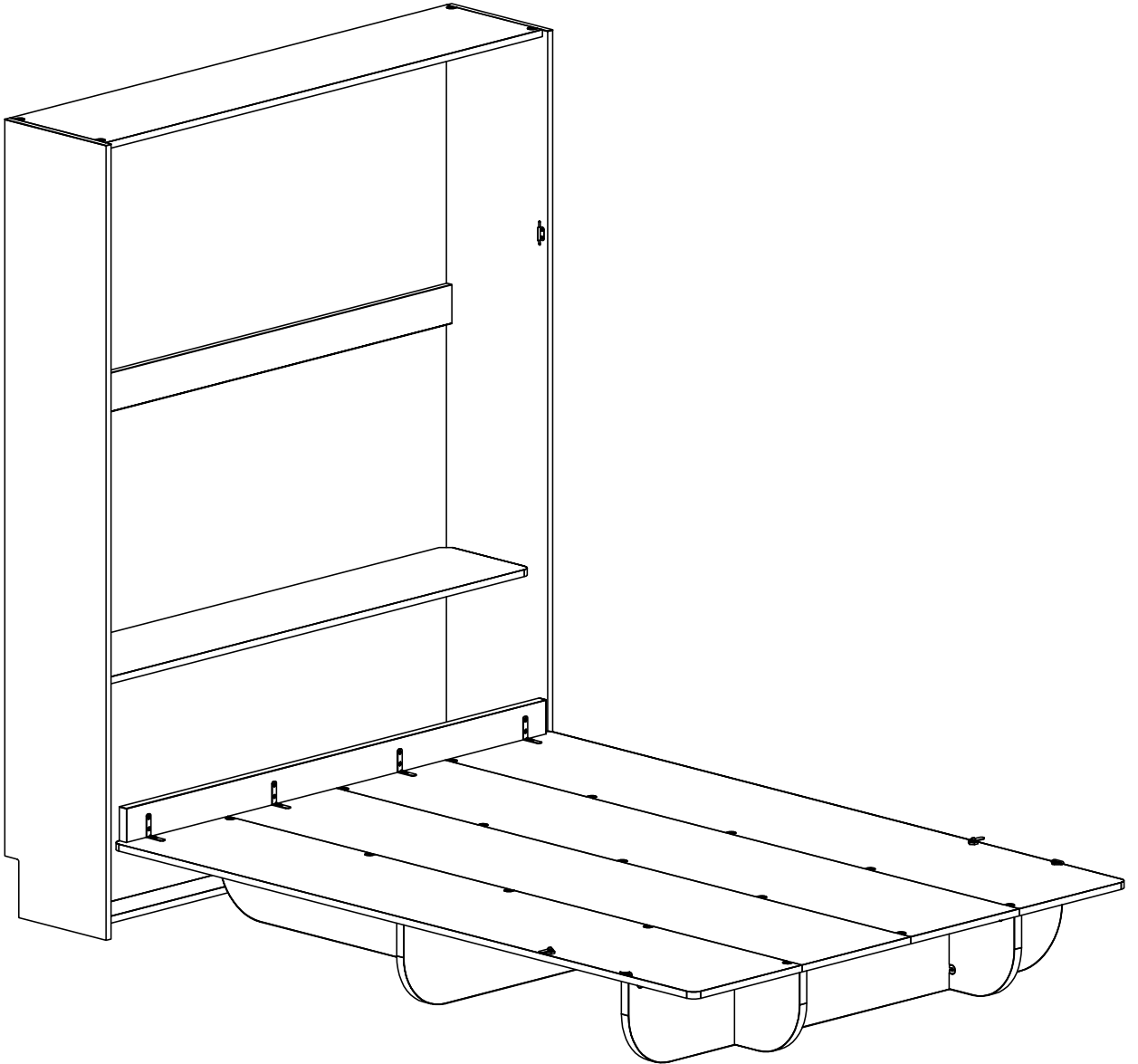


# VERTICAL QUEEN ASSEMBLY INSTRUCTIONS



**LORIBEDS**

# HELLO & WELCOME!

## Hello and Welcome!

Thanks for purchasing a ready-to-build Lori Bed kit. By following the steps outlined in these assembly instructions, you'll be building your own Lori Bed, one of the simplest Murphy beds available. Please read the following information before you get started.

## Safety is Your Responsibility!

The Lori Bed is special because it doesn't use any complicated, expensive lifting mechanisms. This makes it simple to build and install.

But this also presents some unique safety challenges. For one, with no lifting aids, you will be lifting the bed platform using your own body strength. To do this safely, you must lift with your legs, not your back, and keep your core muscles strong and tight. Get some help if you need it, and choose the lightest mattress you can.



**WARNING:** Because there is no lifting mechanism, you must lift and lower the bed platform with your own strength. **THE Lori Bed IS HEAVY, AND LIFTING HEAVY OBJECTS MAY RESULT IN BODILY INJURY.** Be sure to exercise safe lifting techniques, and if you are not able to lift the bed yourself, **DO NOT ATTEMPT TO DO SO WITHOUT ASSISTANCE.**

Second, the Lori Bed is a heavy piece of furniture. This means it will last your family a long time. But it also means that we don't want it opening up into the room unexpectedly. That's why we require you to use locking hardware when the bed is folded, which we have included in the hardware kit.



**WARNING:** **THE Lori Bed IS HEAVY. DROPPING HEAVY OBJECTS ON PEOPLE OR PROPERTY MAY RESULT IN BODILY INJURY OR PROPERTY DAMAGE.** Make sure the area is clear before attempting to raise or lower the bed platform.

Finally, the cabinet part of the bed must be anchored to the wall. You don't want the cabinet falling down on you when you open the bed, and locking hardware only works when the cabinet is fixed to the wall



**WARNING:** **FAILURE TO ANCHOR THE BED TO THE WALL CORRECTLY CAN RESULT IN THE PRODUCT FALLING AND CAUSING BODILY INJURY OR PROPERTY DAMAGE.** Please follow all the instructions in this document to ensure safe use of this product.

Bottom line: safe assembly and use of your Lori Bed is your responsibility. You are choosing to build a Lori Bed and are doing so at your own risk. As such, we cannot be held responsible for accidents during the construction or unsafe use of the Lori Bed.

## Keep Your Boxes:

Be sure to keep the boxes that your Lori Bed arrived in until you are certain that you do not need to return your bed. In order to initiate a return and send your bed back, you will need both of the original boxes intact.

# HELLO & WELCOME!

## **We're Always Looking for Ways to Improve**

Lori designed this bed many years ago to meet her own needs for a simple, affordable do-it yourself wall bed. Since then, we've received lots of feedback from customers and revised the design and instructions.

That said, if you think there is a better way to do something, or you just have a question that isn't clearly answered by the plans, please let us know! Many answers can be found at our site, [www.LoriBeds.com](http://www.LoriBeds.com), or you can send us an email at [info@loribeds.com](mailto:info@loribeds.com). Not only will we help you through the question, but we may revise future editions of these plans based on your feedback. We're very happy to hear from you!

## **Share your Success on Facebook and Instagram!**

We LOVE hearing stories and seeing pictures of our customers' beds. We're constantly amazed by your creativity and really enjoy hearing how the Lori Bed fits into your life.

Please share your photos with us! You can post your bed on Facebook, and tag us @LoriBeds so others can see it. Or, share it on Instagram and mention @LoriBeds in the post. We can't wait to see how yours turns out!

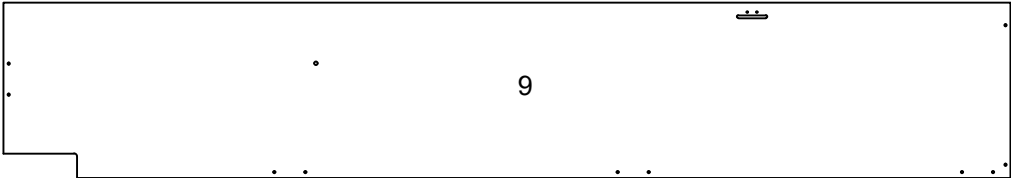
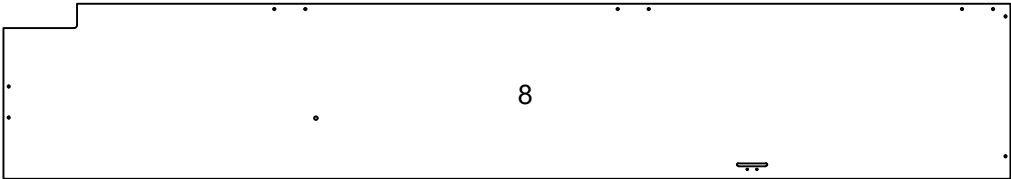
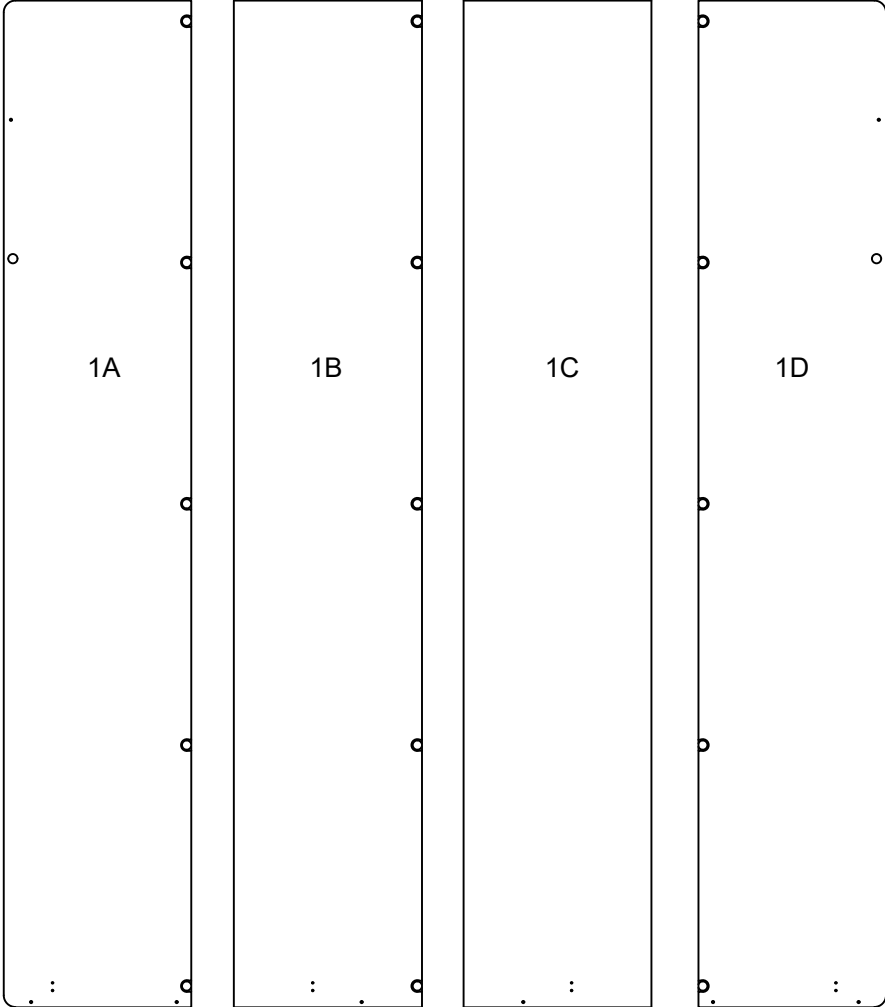
## **Time to Get Building!**

That's it! Now it's time to put your Lori Bed together. Happy building!

-- The Lori Beds Team

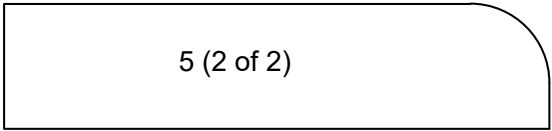
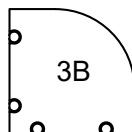
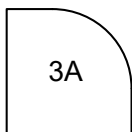
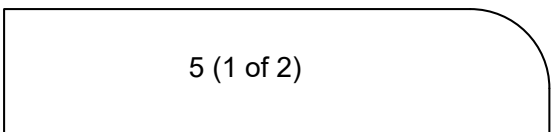
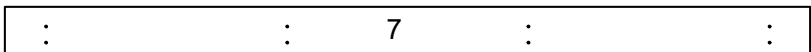
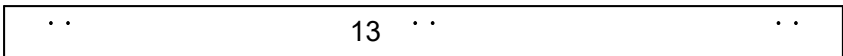
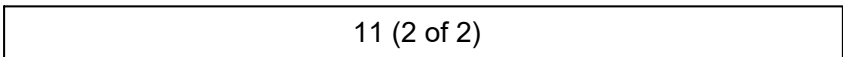
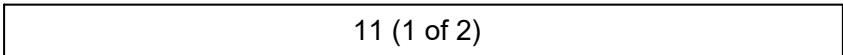
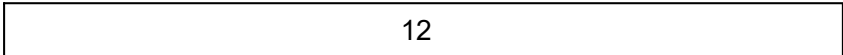
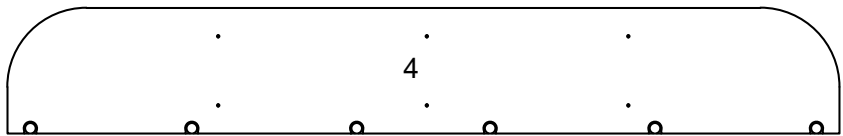
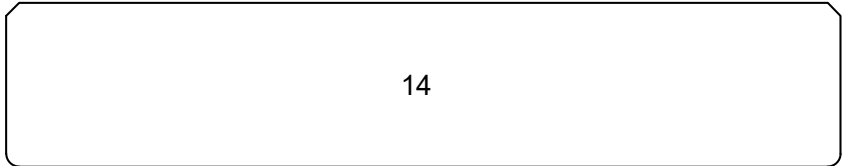
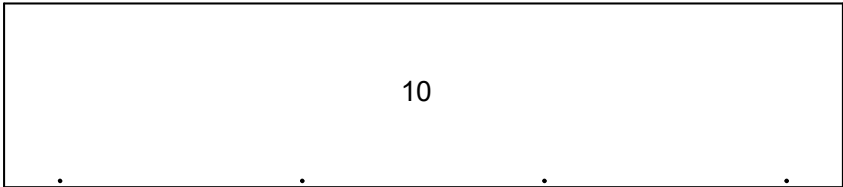
# THE PARTS

## WOOD PARTS - BOX 1



# THE PARTS

## WOOD PARTS - BOX 2

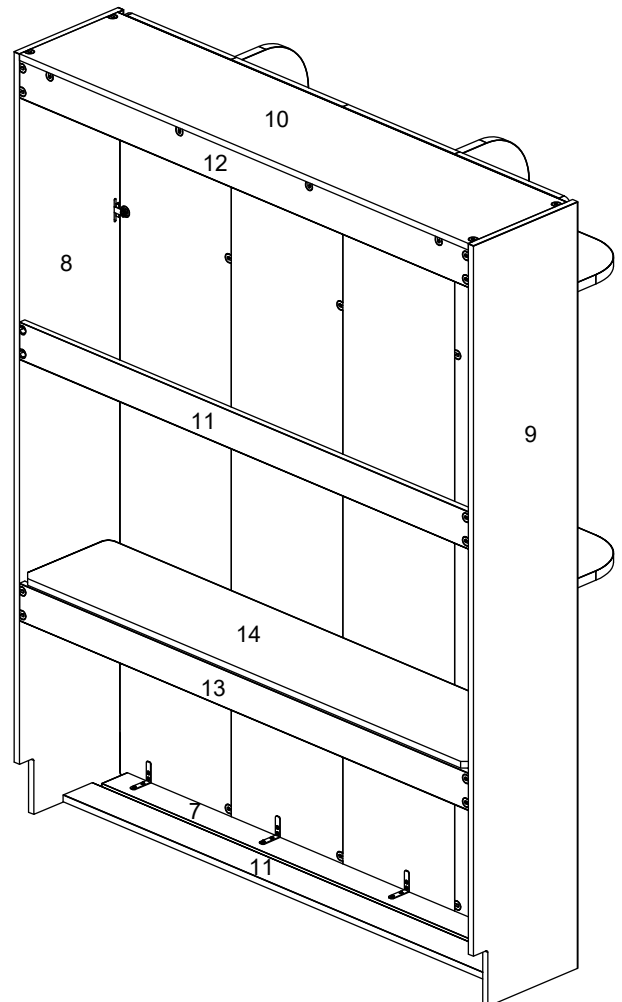
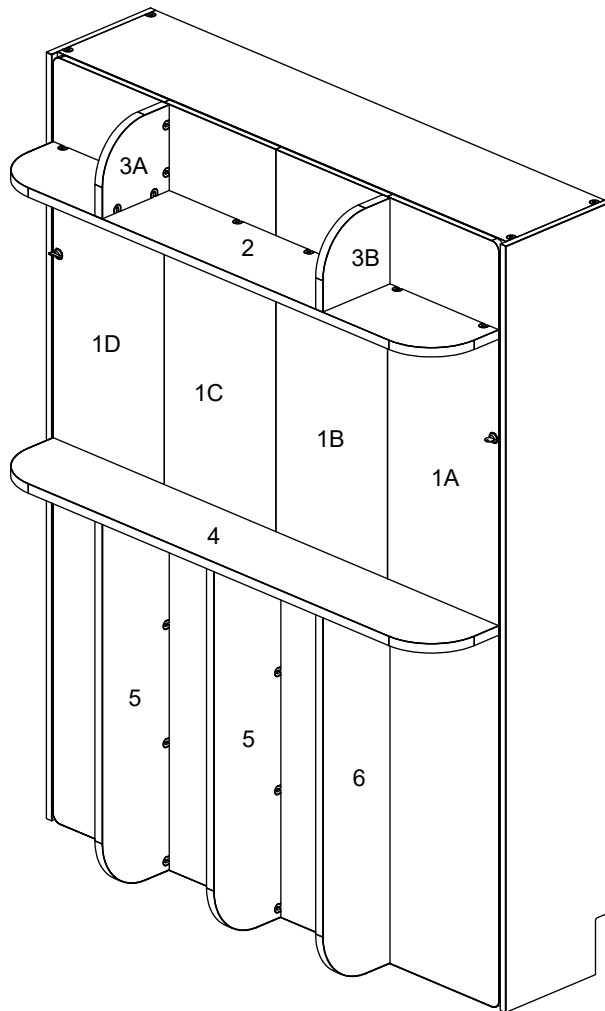


# THE PARTS

## WOOD PARTS

### BOX 1 & 2

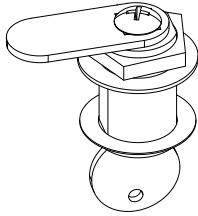
PARTS LIST		
PART NUMBER	DESCRIPTION	QTY
1A	MATTRESS PANEL A	1
1B	MATTRESS PANEL B	1
1C	MATTRESS PANEL C	1
1D	MATTRESS PANEL D	1
02	SHELF UPPER	1
3A	BULLNOSE L	1
3B	BULLNOSE R	1
04	SHELF LOWER	1
05	ROCKER L	2
06	ROCKER R	1
07	MATTRESS REST	1
08	CABINET SIDE R	1
09	CABINET SIDE L	1
10	CABINET TOP	1
11	CABINET BRACE	2
12	CABINET TOP BRACE	1
13	CABINET SHELF BRACE	1
14	HEADBOARD SHELF	1



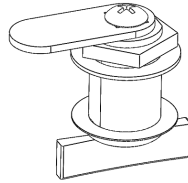
# THE PARTS

## HARDWARE - BOX 2

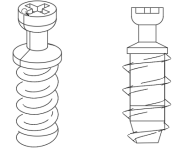
KEYED LOCK x 1



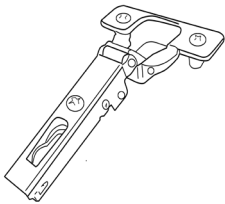
CAM LOCKS x 1



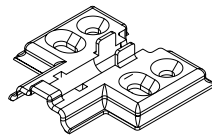
CONNECTOR SCREWS x 83



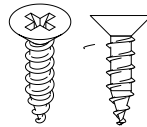
HINGES x 3



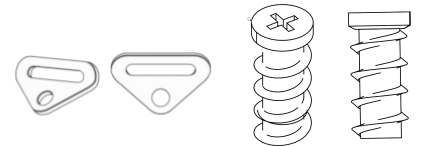
HINGE PLATES x 3



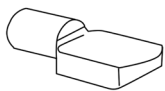
HINGE SCREWS M4 x 18



MATTRESS STRAP ANCHORS (x 2) + ANCHOR SCREWS (x 2)



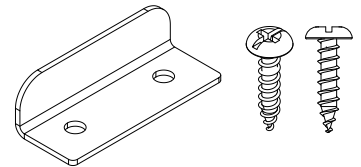
SHELF PINS x 2



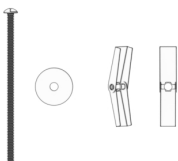
MATTRESS STRAP x 1



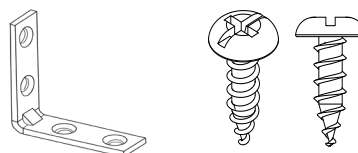
STRIKE PLATES (x 2) + SCREWS M3 (x 4)



ANCHORING HARDWARE x 4



L BRACKETS x(4) + SCREWS M4 (x 16)



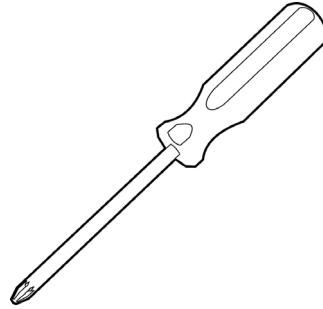
CONNECTOR COVERS x 83



# WHAT YOU NEED

## TOOLS

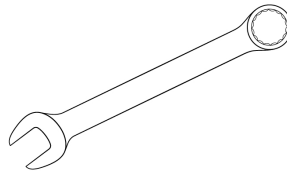
HAND-HELD PHILLIPS HEAD SCREWDRIVER



7/8" WRENCH

OR

ADJUSTABLE WRENCH



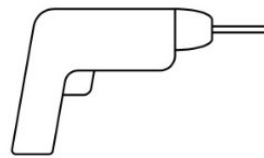
POWER DRILL

AND

1/8" DRILL BIT FOR MOUNTING BED TO STUDS

OR

3/4" DRILL BIT FOR MOUNTING BED TO DRYWALL



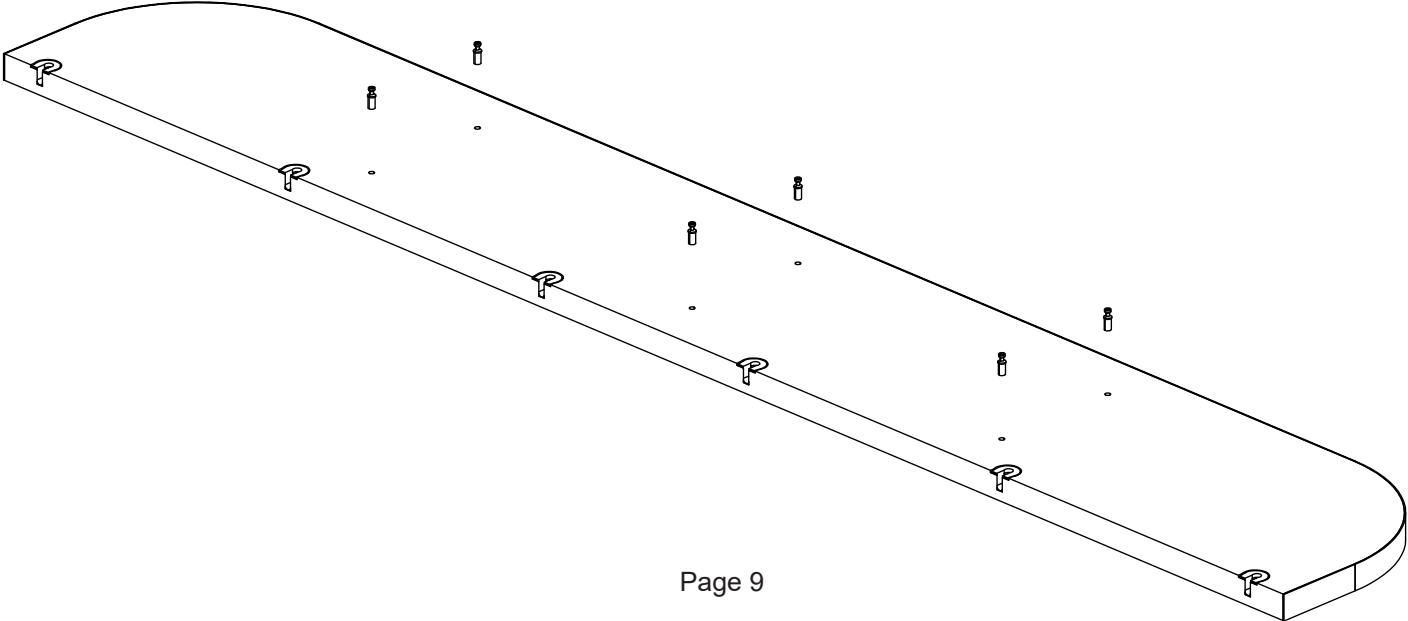
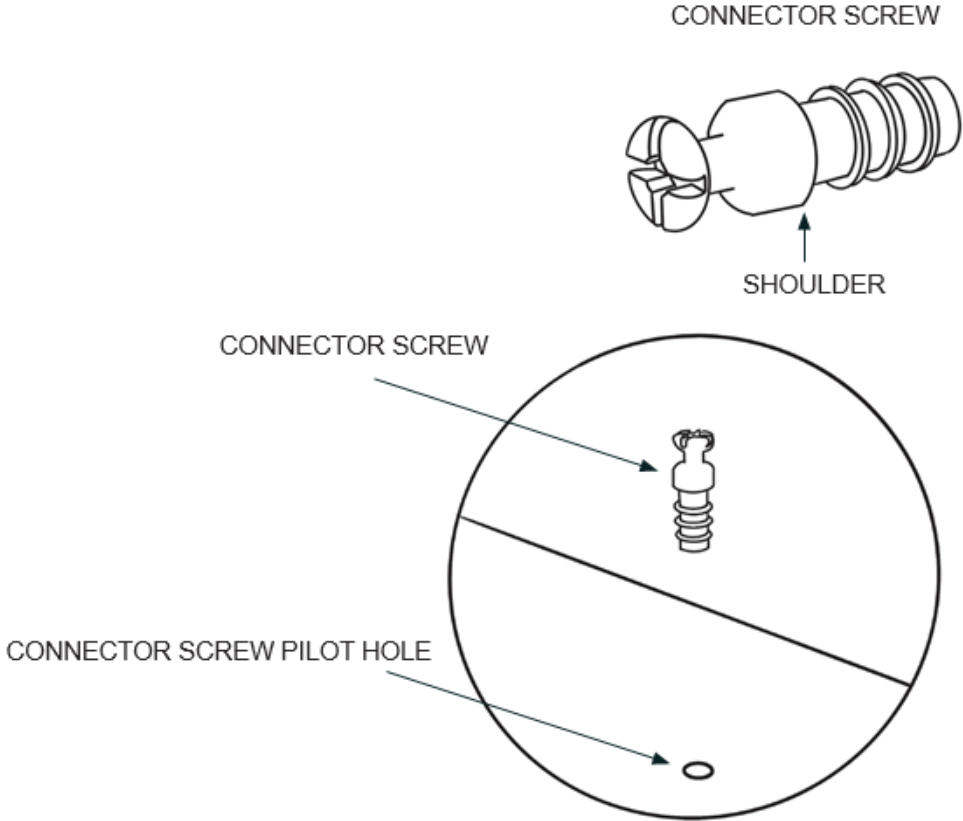


# THE CONNECTORS

## CONNECTOR SCREW

When directed, insert the **Connector Screw** into the corresponding pre-drilled hole.

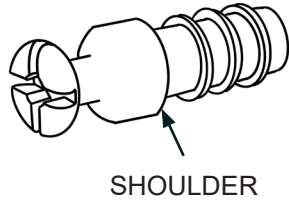
Using a **Hand-Held Phillips Head Screwdriver**, tighten the screw so that the **Shoulder** of the **Connector Screw** is perfectly flush with the surface of the wood, but be careful not to tighten past the **Shoulder**.



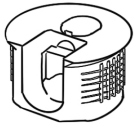
# THE CONNECTORS

## HOW TO FASTEN

1. The **Connector Screw** is inserted into the wood component up to the screws shoulder up to the shoulder of the screw.

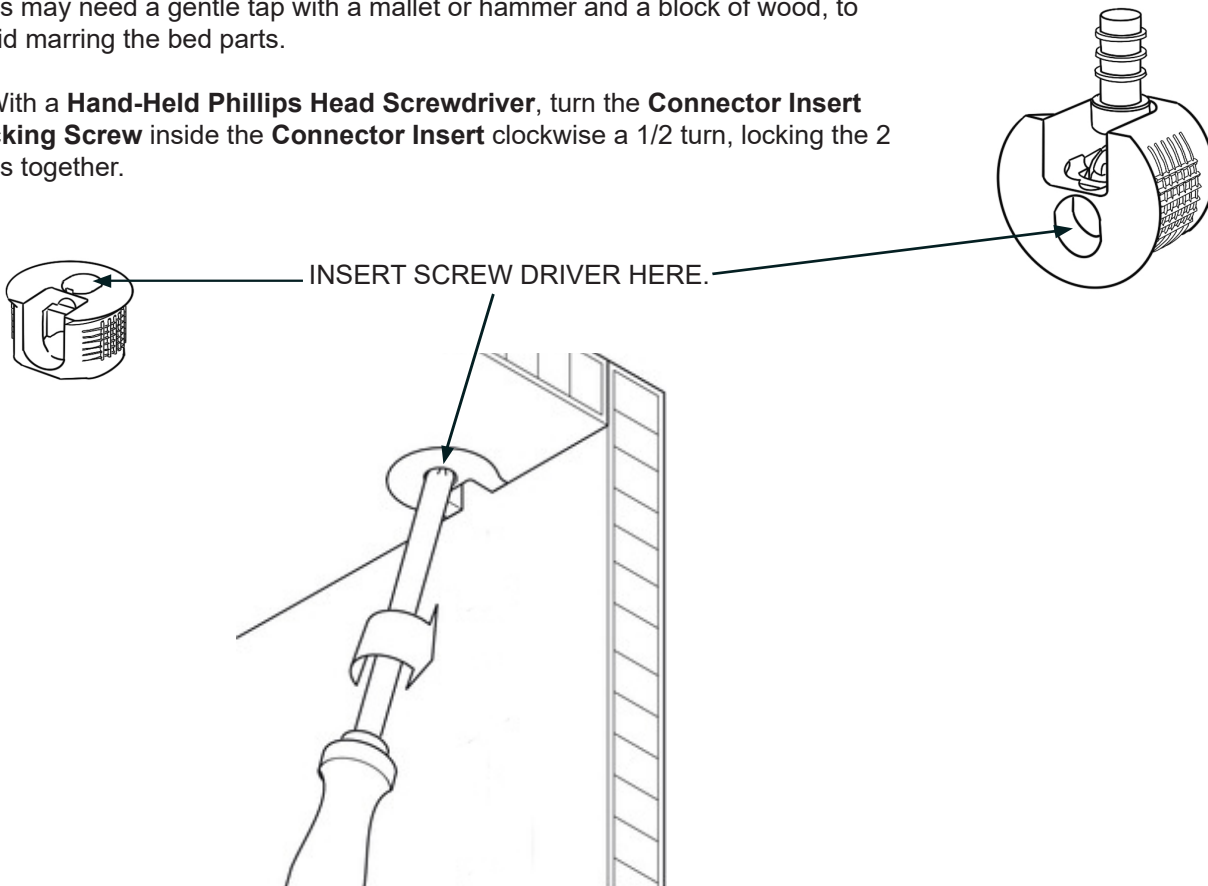


2. The **Connector Inserts** are already pre-installed into the wood parts and ready for assembly.



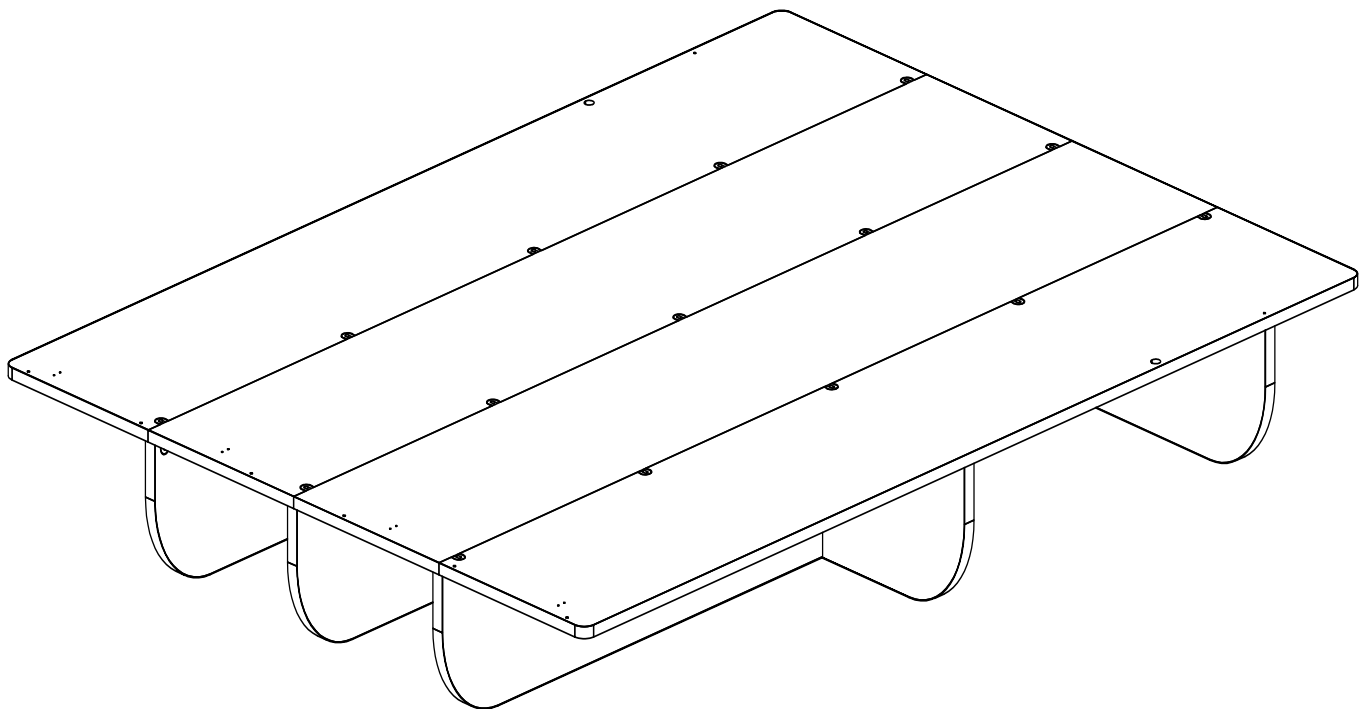
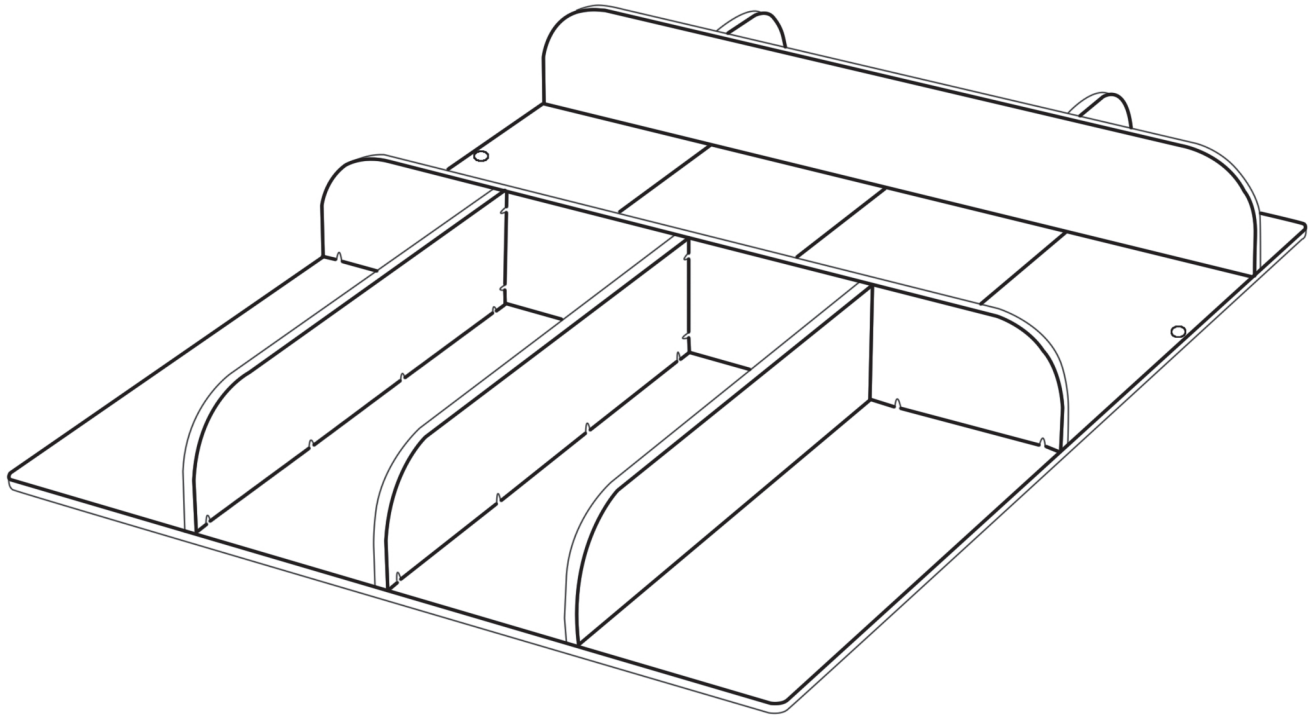
3. Slide the wood components to be fastened together. When aligned properly, the **Connector Screw** is inside and butted against the **Connector Insert**. Some parts may need a gentle tap with a mallet or hammer and a block of wood, to avoid marring the bed parts.

4. With a **Hand-Held Phillips Head Screwdriver**, turn the **Connector Insert Locking Screw** inside the **Connector Insert** clockwise a 1/2 turn, locking the 2 parts together.



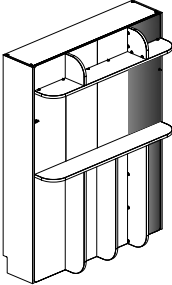
**Note:** Turning the screw more than a half turn with too much force can damage the components.

# PLATFORM ASSEMBLY

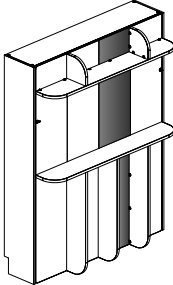


# STEP 1

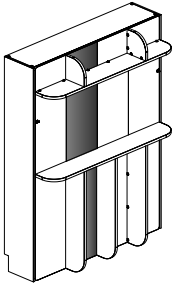
## PLATFORM ASSEMBLY



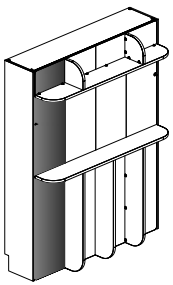
PART 1A



PART 1B



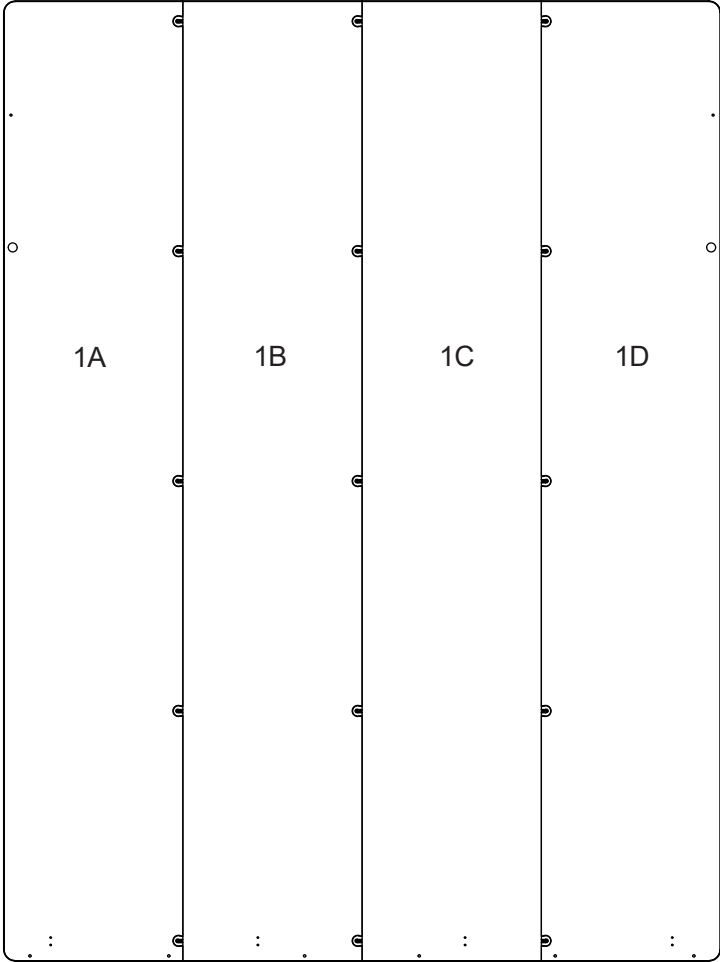
PART 1C



PART 1D

Locate **Part 1A**, **Part 1B**, **Part 1C**, and **Part 1D** from **Box 1**.

Start by laying **Parts 1A**, **1B**, **1C** and **1D** out as shown below. Be sure that the connector inserts are facing upward at this step.

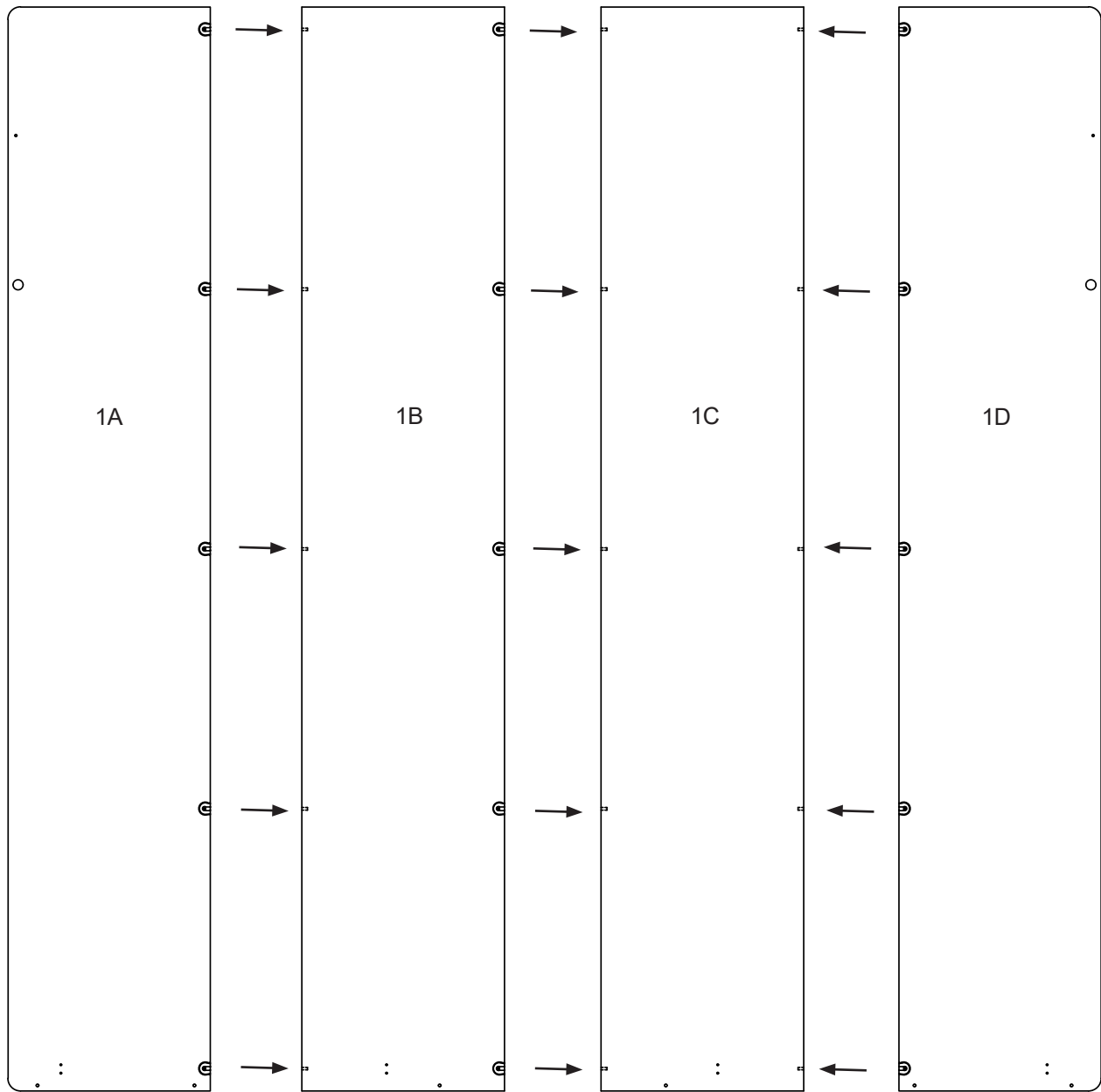
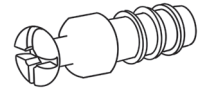


# STEP 2

## PLATFORM ASSEMBLY

Using a **Hand-Held Phillips Head Screwdriver**, attach **15 Connector Screws** in the pre-drilled holes noted below with the arrows. →

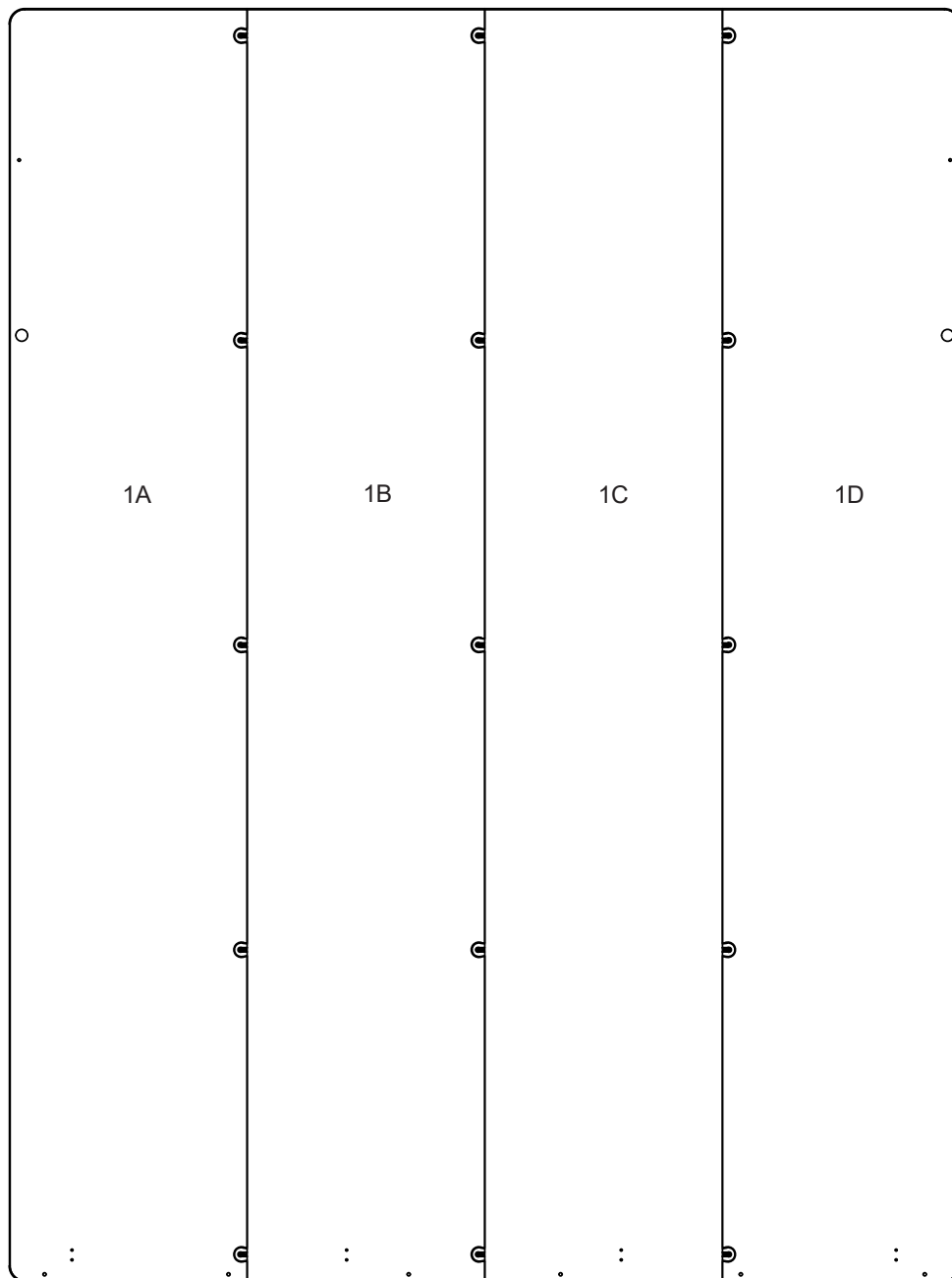
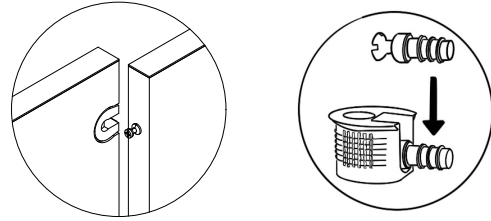
CONNECTOR SCREW x 15



# STEP 3

## PLATFORM ASSEMBLY

Slide the **Connector Screws of Part 1B** onto the Inserts of **1A**. Using your **Hand-Held Phillips Screwdriver**, lock the inserts to fasten them in place. Repeat to fasten **Part 1C** to **1B** and **1D**.



# STEP 4

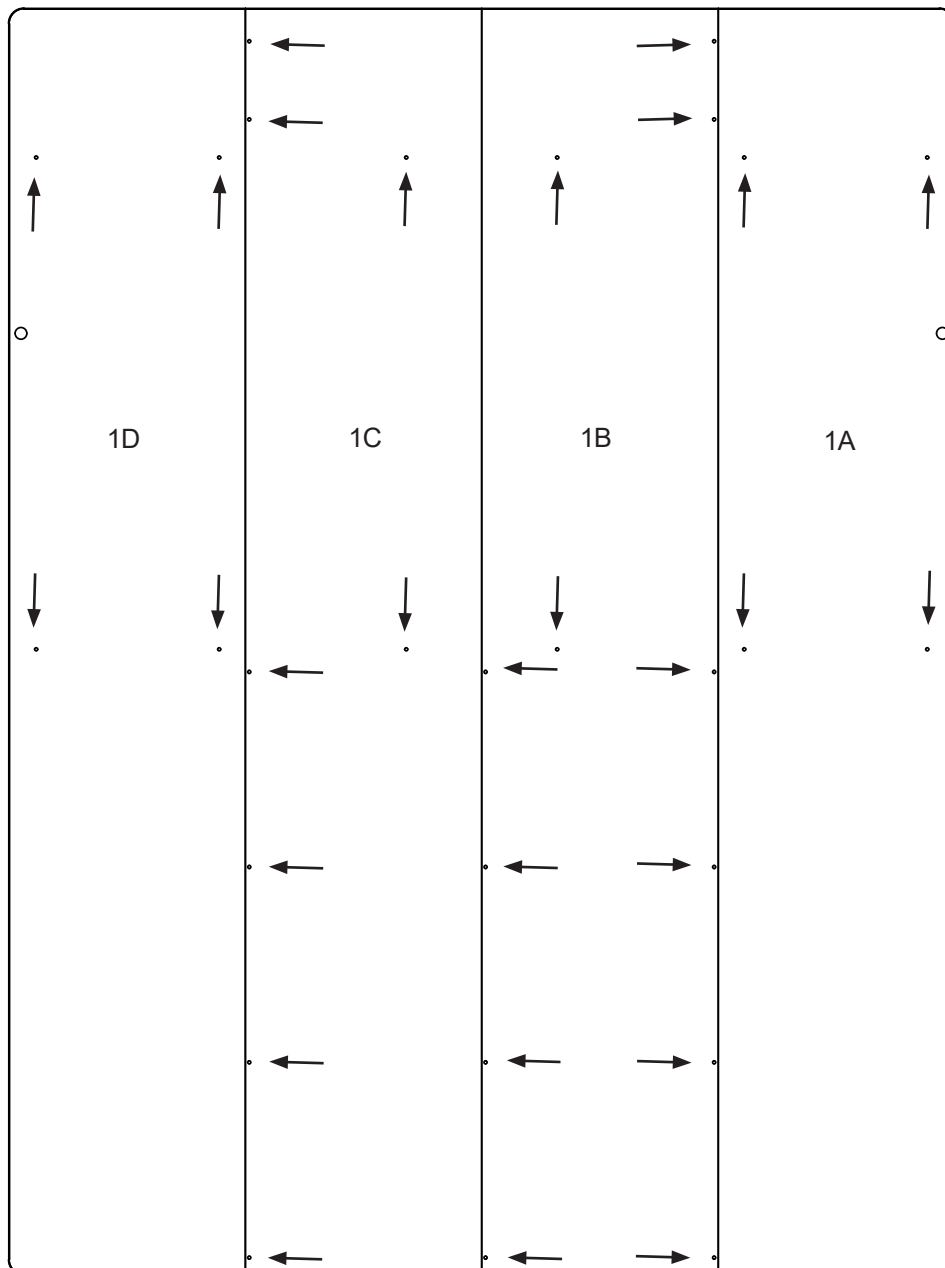
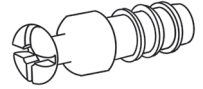
## PLATFORM ASSEMBLY

With a partner, carefully flip the connected platform part over.



Then, using a **Hand-Held Phillips Head Screwdriver**, attach **28 Connector Screws** in the pre-drilled holes noted below with the arrows. →

CONNECTOR SCREW x 28



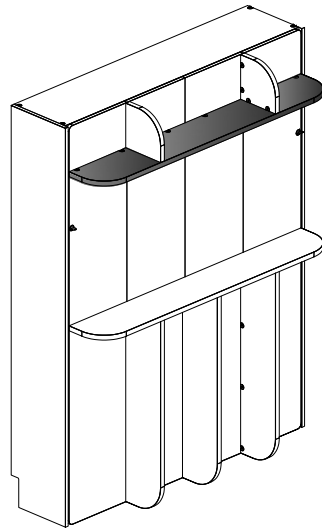
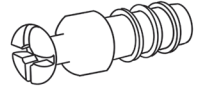
# STEP 5

## PLATFORM ASSEMBLY

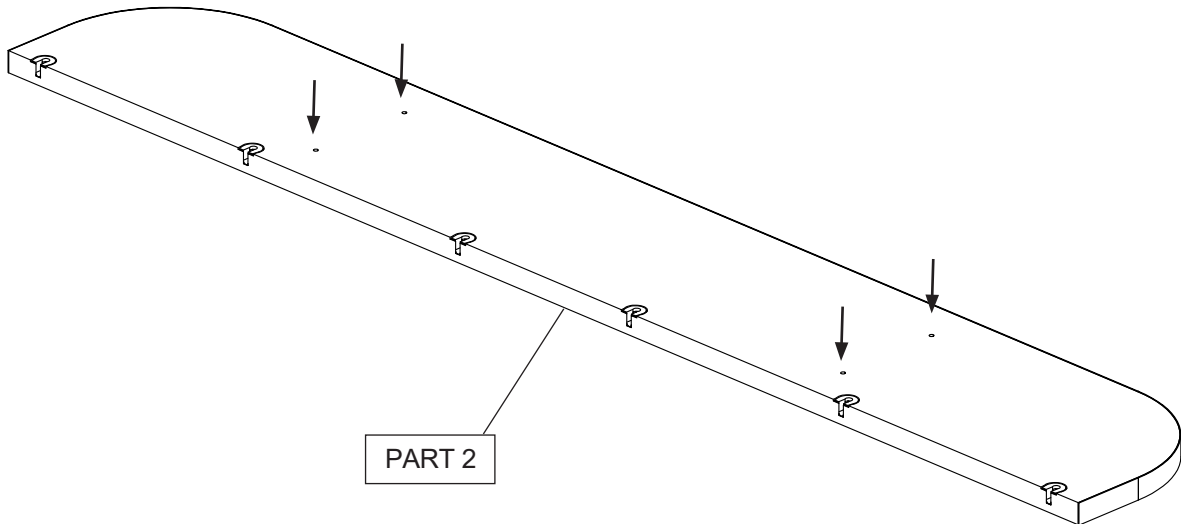
Locate **Part 2** from **Box 2**.

Using a **Hand-Held Phillips Head Screwdriver**, attach **4 Connector Screws** in the pre-drilled holes noted below with the arrows. →

CONNECTOR SCREW x 4



PART 2





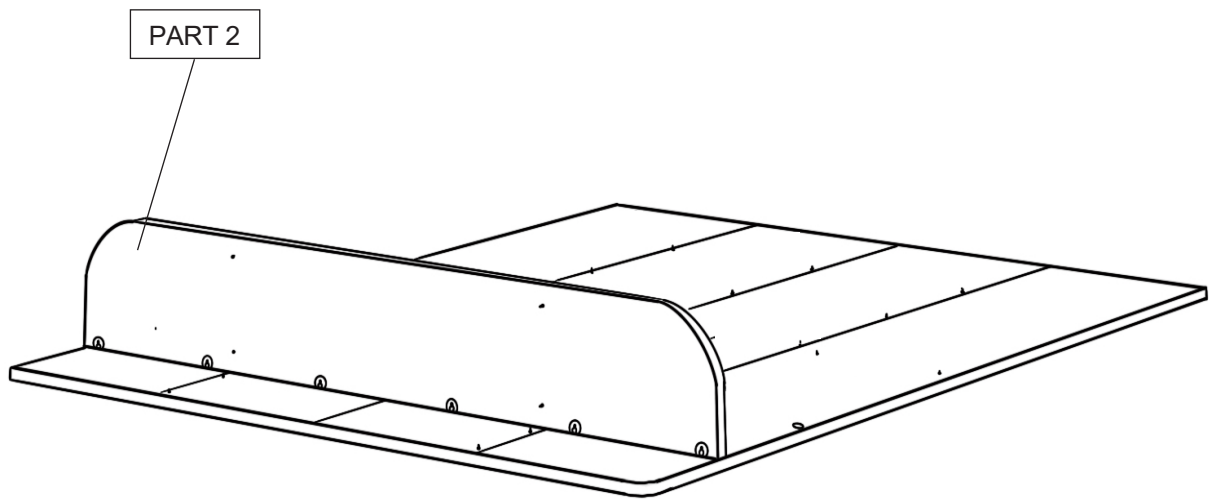
# STEP 6

## PLATFORM ASSEMBLY

Slide the **Connector Inserts** in **Part 2** onto the **Connector Screws** of the platform **Part 1A**, **Part 1B**, **Part 1C**, and **Part 1D**. Some parts may need a gentle tap with a mallet or hammer and a block of scrap wood, to avoid marring the bed parts.

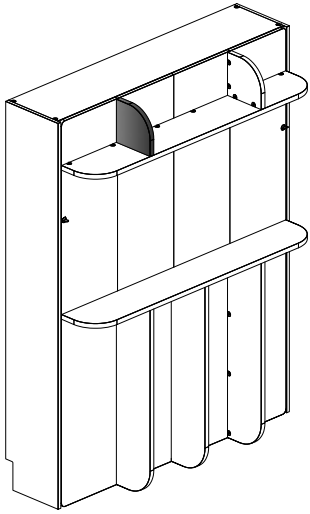
Ensure the **Connector Inserts** are oriented as show in the diagram below.

With **Part 2** in place and the **Connector Parts** aligned, lock the **Connector Screws** and **Connector Inserts** together by turning the 6 **Connector Insert Locking Screws** a 1/2 turn clockwise.

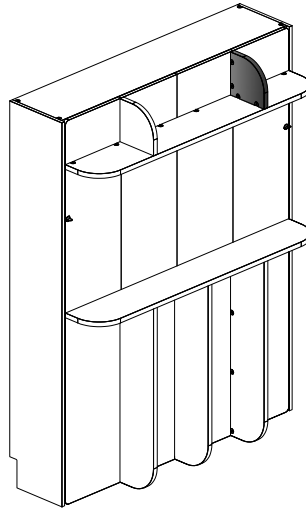


# STEP 7

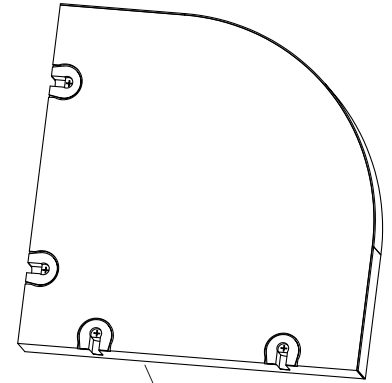
## PLATFORM ASSEMBLY



PART 3A



PART 3B

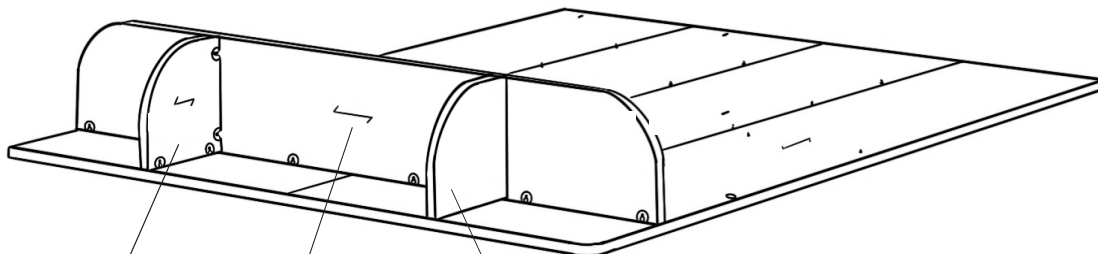
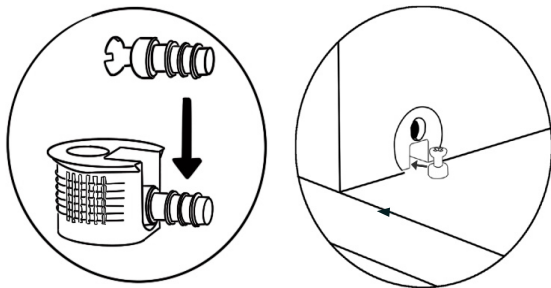


PARTS 3A and 3B (SAME)

Locate **Part 3A** and **Part 3B** from **Box 2**.

Using the same method of connecting the **Connector Screws** and **Connector Inserts**, slide into place and fasten **Part 3A** and **Part 3B** to **Part 2**. Some parts may need a gentle tap with a **mallet** or **hammer** and a **block of scrap wood** to avoid marring the bed parts.

Ensure the **Connectors of Part 3A** and **Part 3B** are facing inwards, towards each other as show in the diagram below.



PART 3B

PART 2

PART 3A

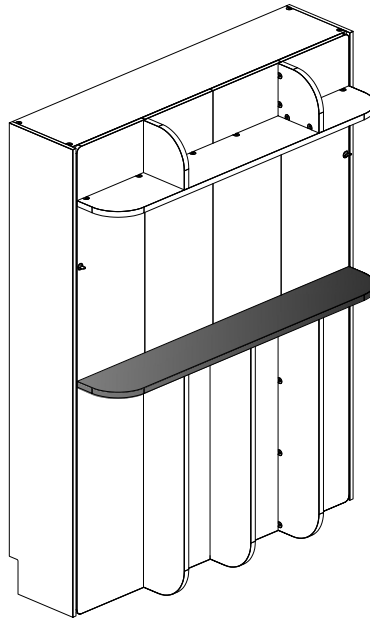
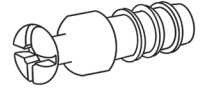
# STEP 8

## PLATFORM ASSEMBLY

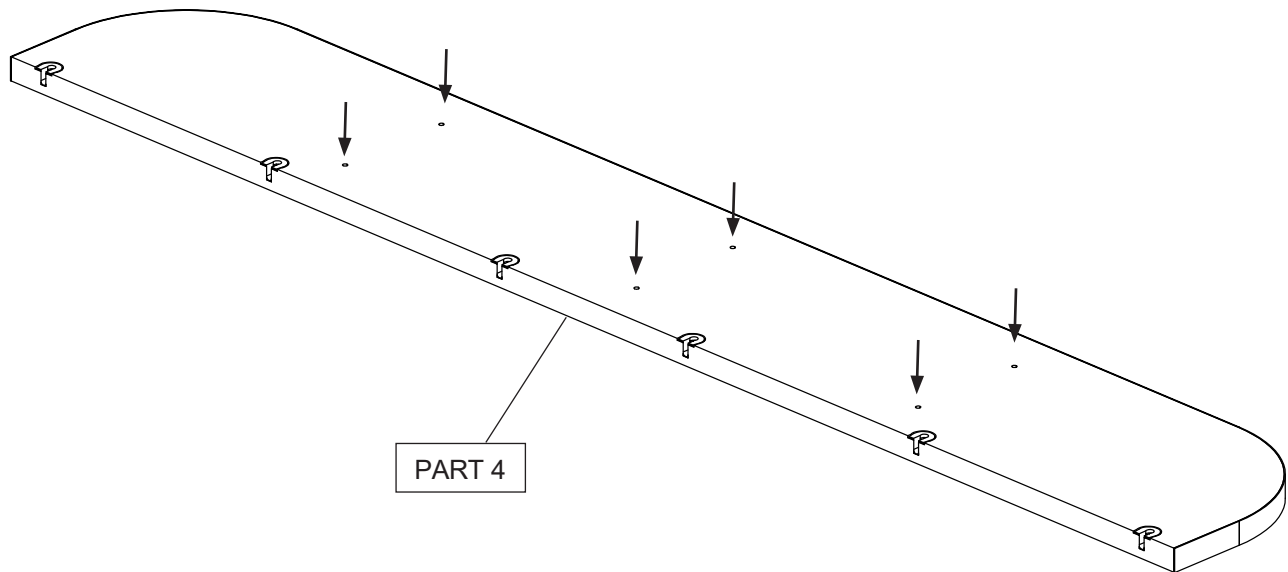
Locate **Part 4** from **Box 2**.

Using a **Hand-Held Phillips Head Screwdriver**, attach **6 Connector Screws** in the pre-drilled holes noted below with the arrows. →

CONNECTOR SCREW x 6



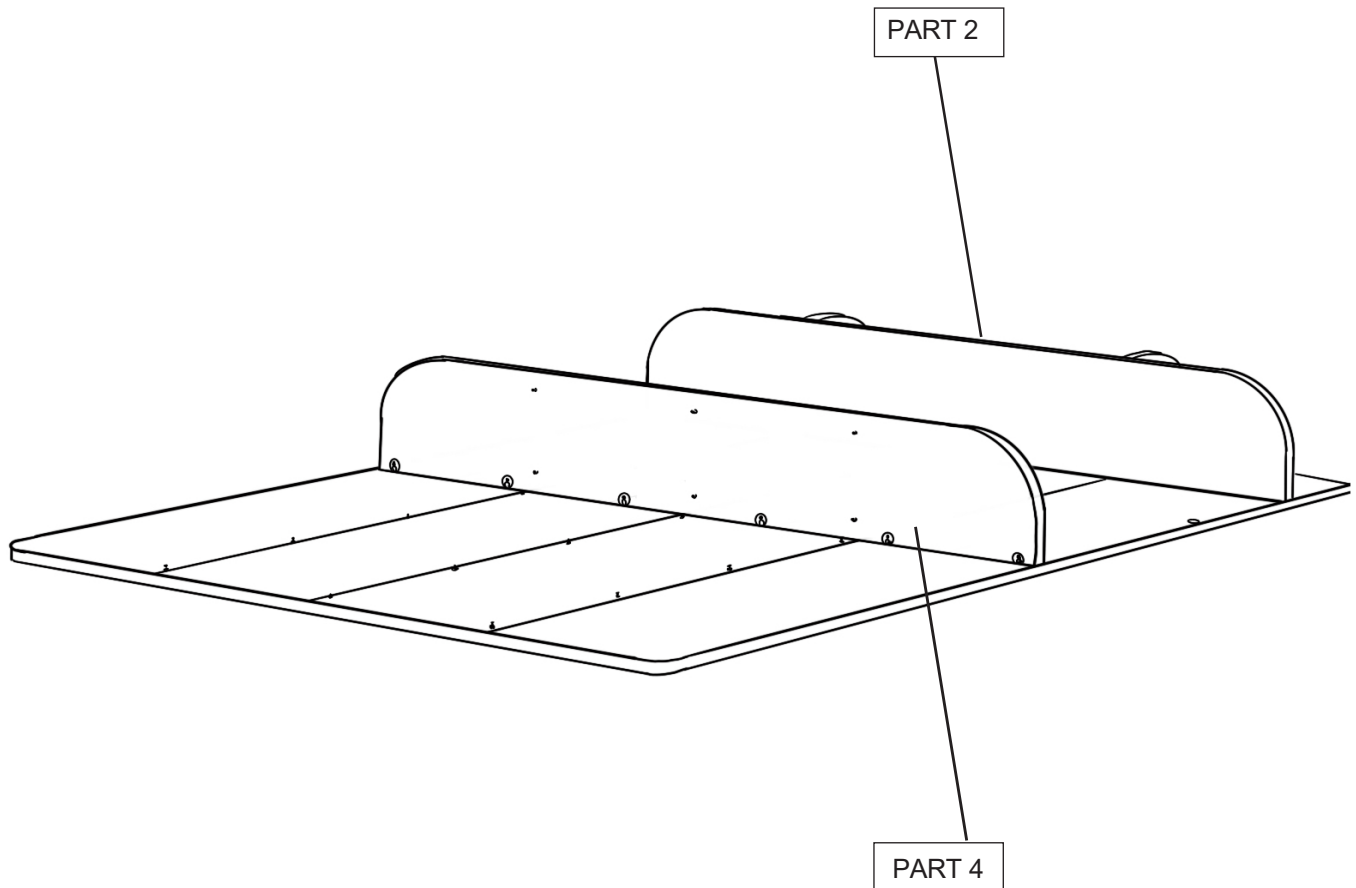
PART 4



# STEP 9

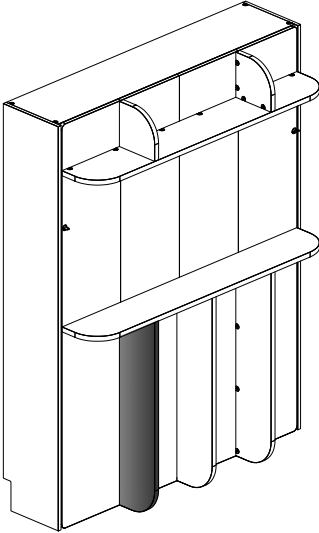
## PLATFORM ASSEMBLY

Slide into place and fasten **Part 4** to the **Connector Screws** of the Platform **Part 1A**, **Part 1B**, **Part 1C** and **Part 1D**. Ensure the **Connector Inserts** of **Part 4** are facing away from **Part 2** as shown in the diagram below.

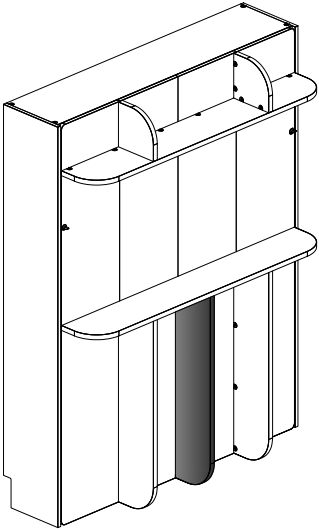


# STEP 10.A

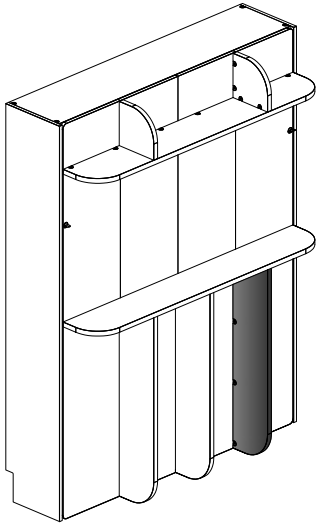
## PLATFORM ASSEMBLY



PART 5 (1 OF 2)

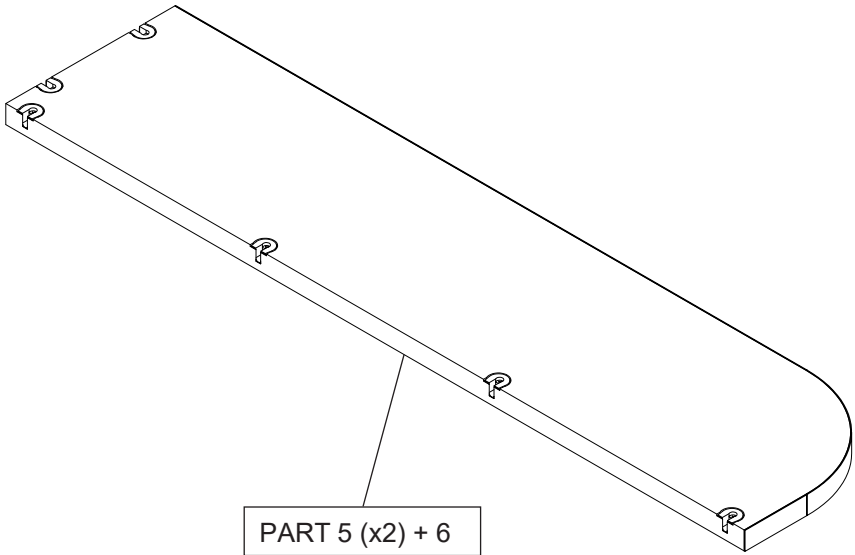


PART 5 (2 OF 2)



PART 6

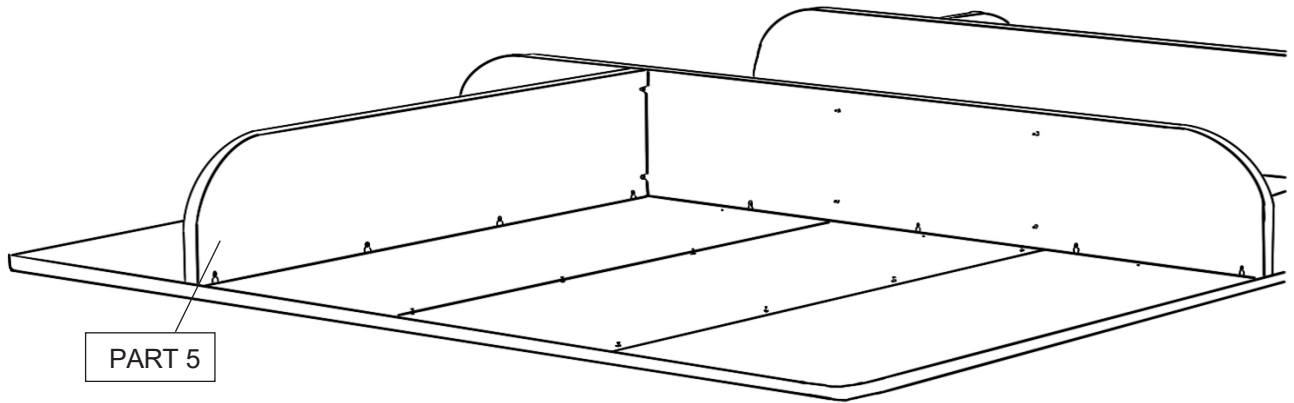
Locate **Parts 5 (1 of 2)**, **Part 5 (2 of 2)** and **Part 6** from **Box 2**.



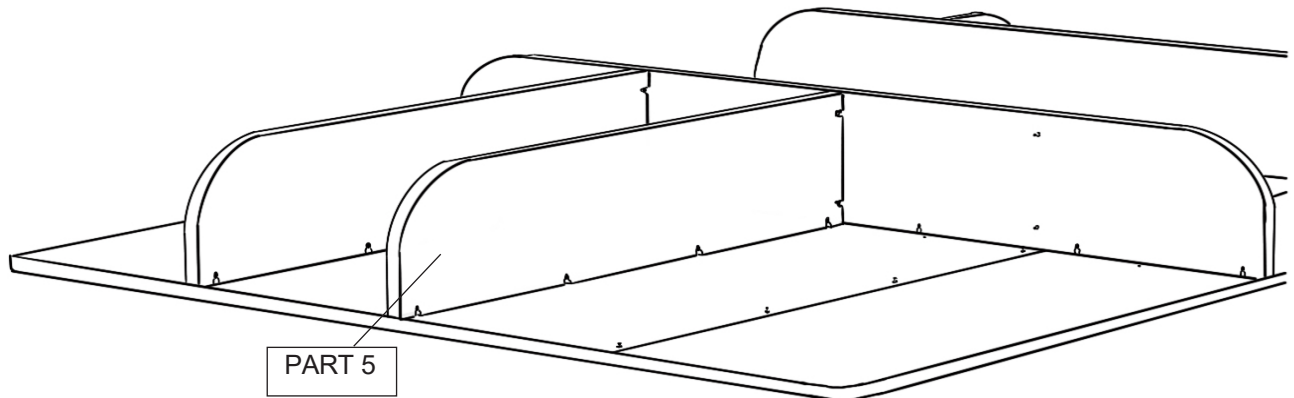
# STEP 10.B

## PLATFORM ASSEMBLY

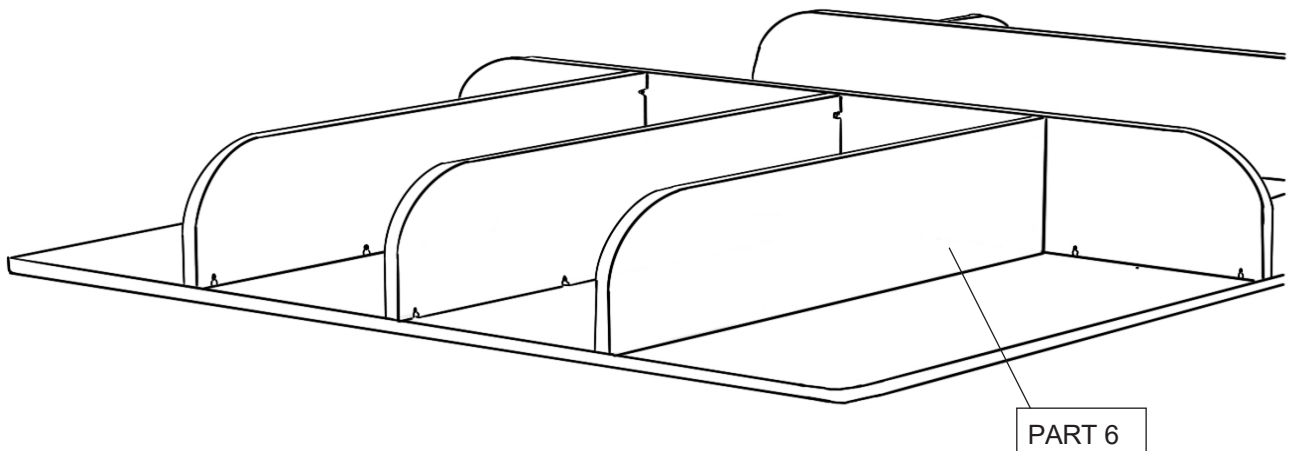
Slide into place and fasten **Part 5 (1 of 2)** to the **Connector Screws** of the Platform **Parts 1C + 1D** and to **Part 4**. Ensure the **Connectors** of **Part 5 (1 of 2)** are facing as shown in the diagram below.



Slide into place and fasten **Part 5 (2 of 2)** to the **Connector Screws** of the Platform **Parts 1B + 1C** and to **Part 4**. Ensure the **Connectors** of **Part 5 (2 of 2)** are facing as shown in the diagram below.



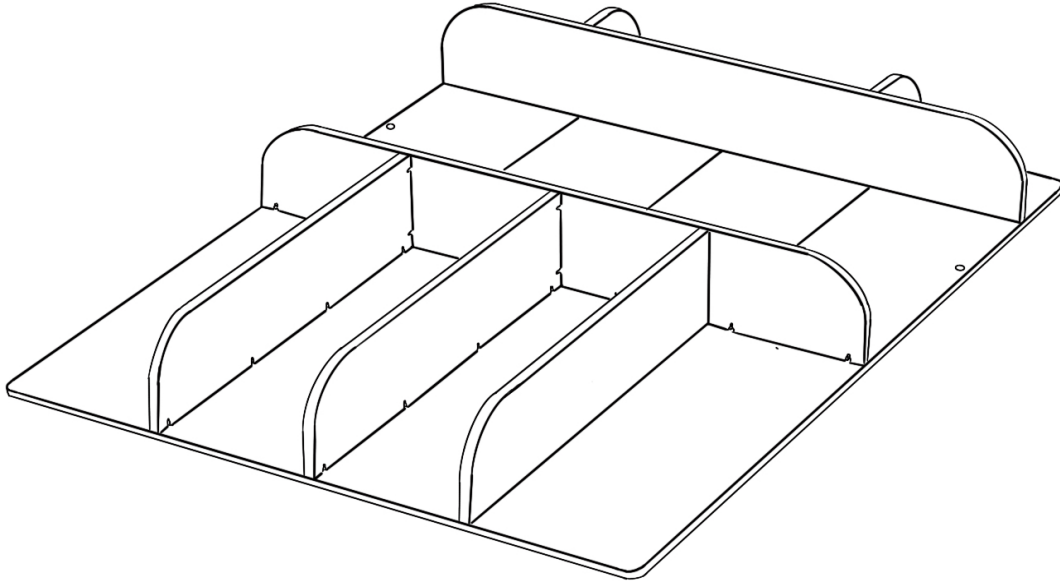
Slide into place and fasten **Part 6** to the **Connector Screws** of the Platform **Part 1A + 1B** and to **Part 4**. Ensure the **Connectors** of **Part 6** are facing inwards as shown in the diagram below.



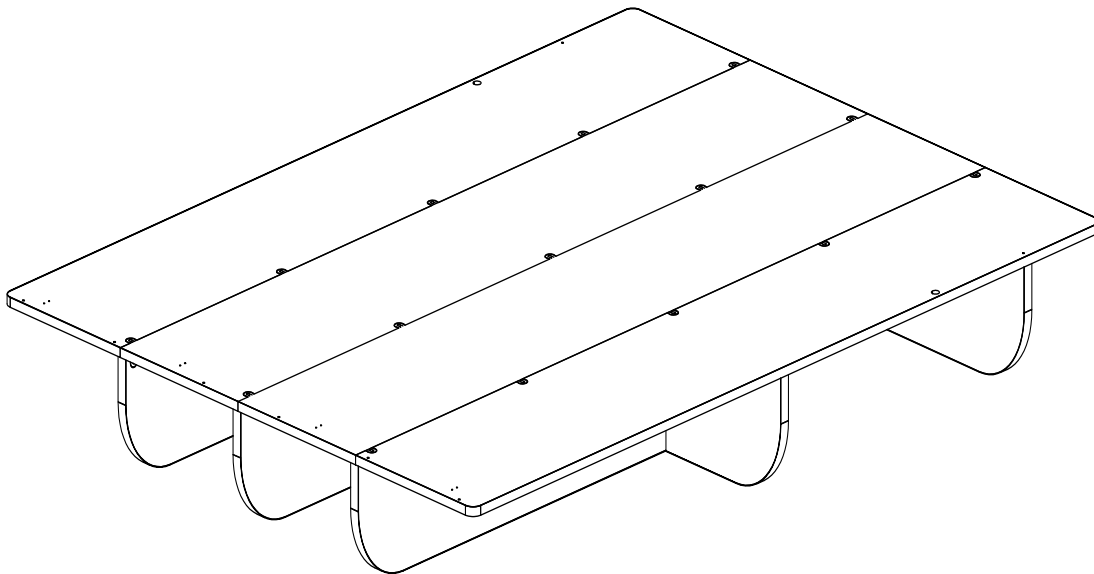
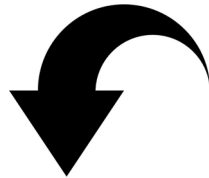
# STEP 11

## PLATFORM ASSEMBLY

The Mattress Platform should now look like the below diagram.



With the help of another person, flip the Platform over on the vertical axis, the same way that the bed platform would be raised and lowered when in use.

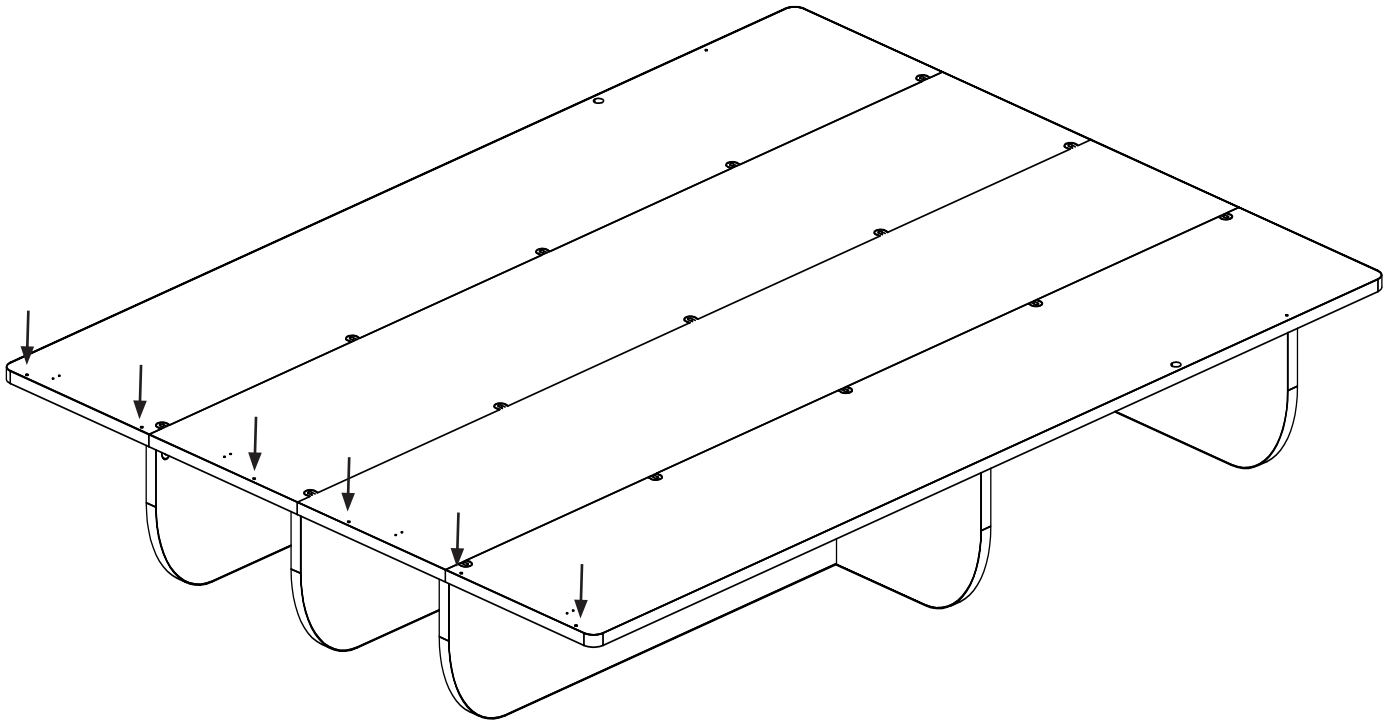
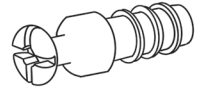


# STEP 12

## PLATFORM ASSEMBLY

Using a **Hand-Held Phillips Head Screwdriver**, attach **6 Connector Screws** in the pre-drilled holes noted below with the arrows. →

CONNECTOR SCREW x 6





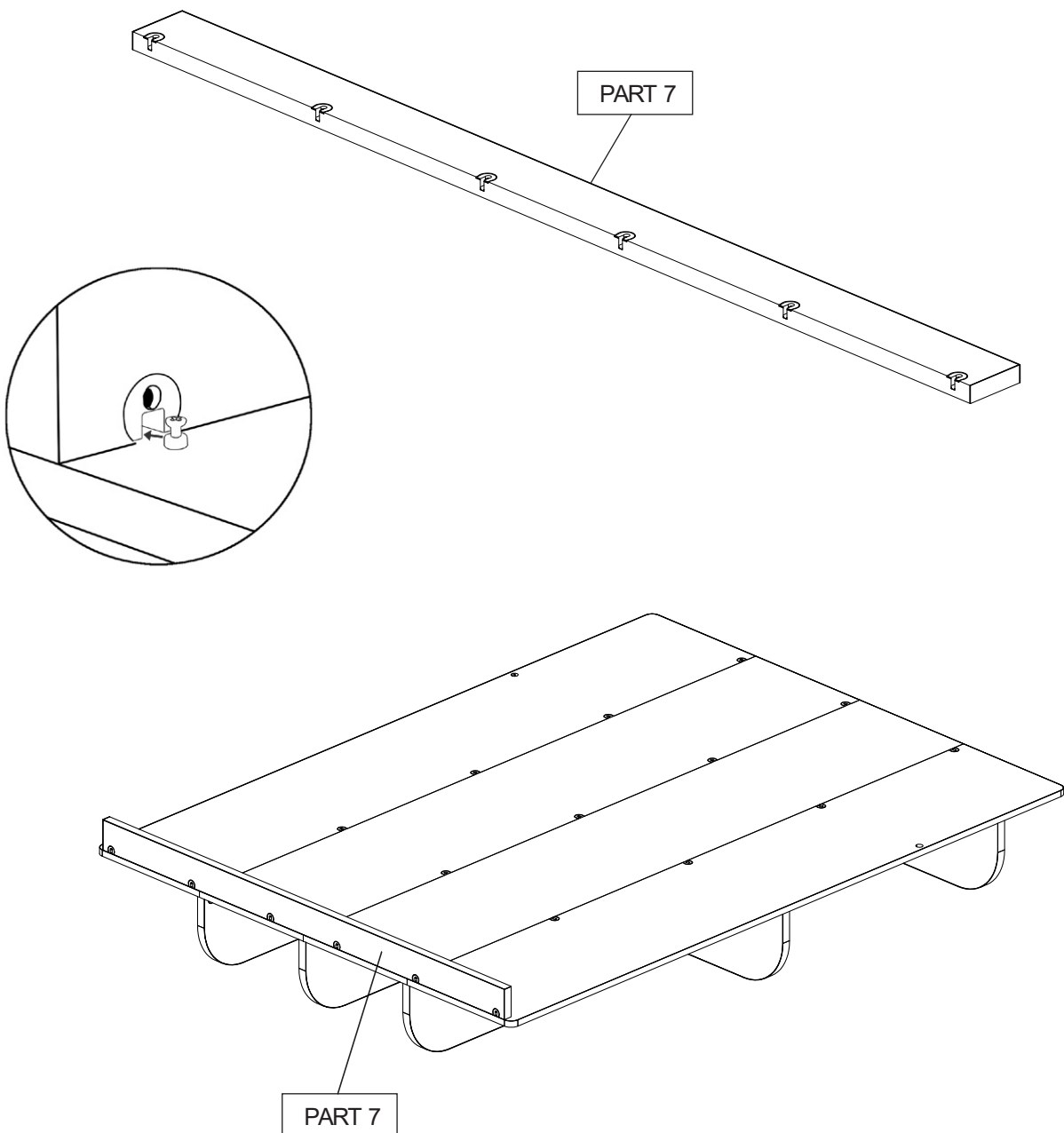
# STEP 13

## PLATFORM ASSEMBLY

Locate **Part 7** from **Box 2**.

Connect **Part 7** to **Parts 1A, 1B, 1C** and **1D**.

**Note:** The **Connector Inserts** should be facing away from the **Mattress Platform**.

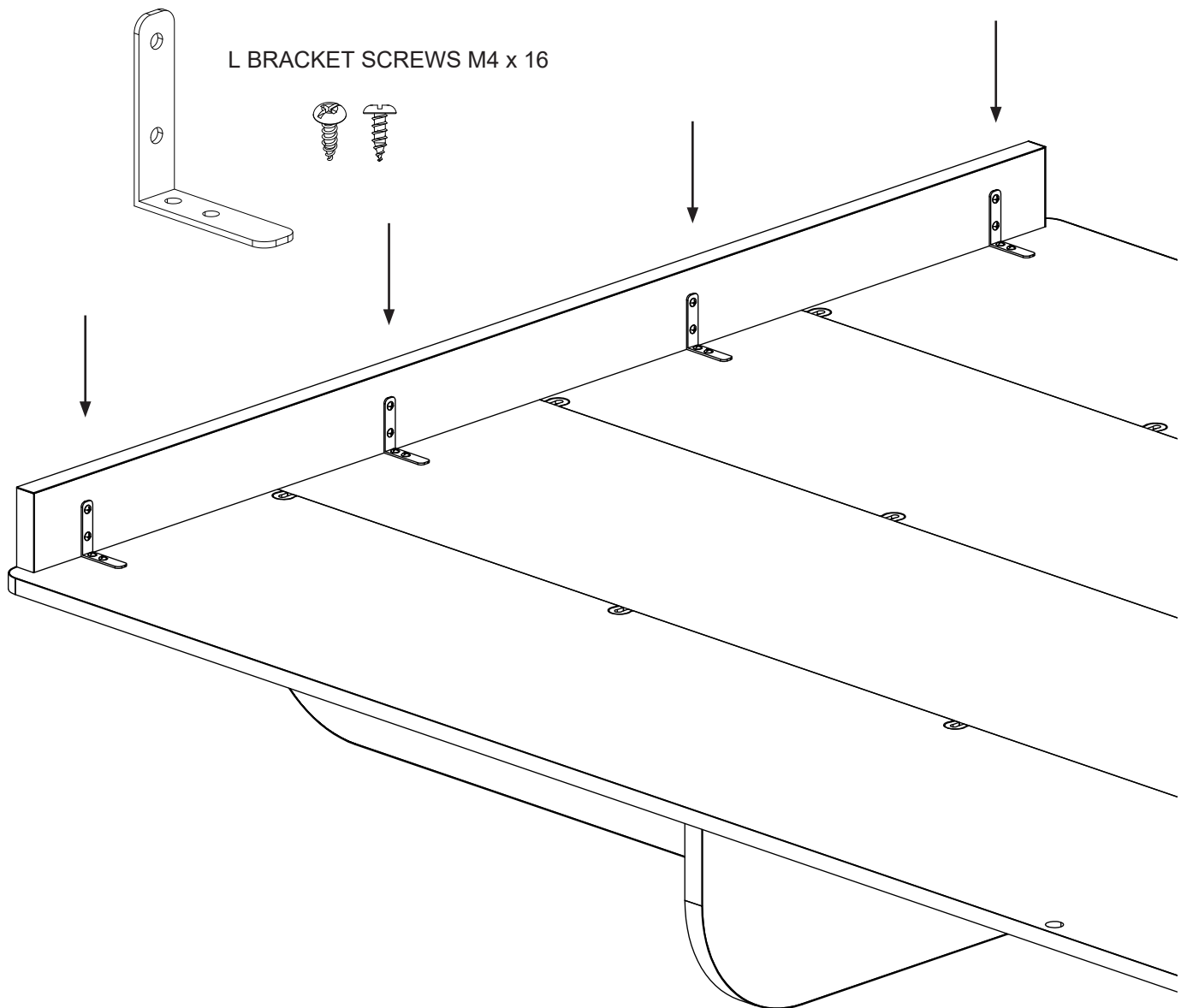


# STEP 14

## PLATFORM ASSEMBLY

Locate **4 L Brackets** and **16 L Bracket Screws** from your hardware kit.

Using a **Hand-Held Screwdriver**, install the **L Brackets** into the pre-drilled pilot holes as shown below.



# STEP 15

## MATTRESS STRAP

Locate the **Mattress Strap Anchors** (x2).

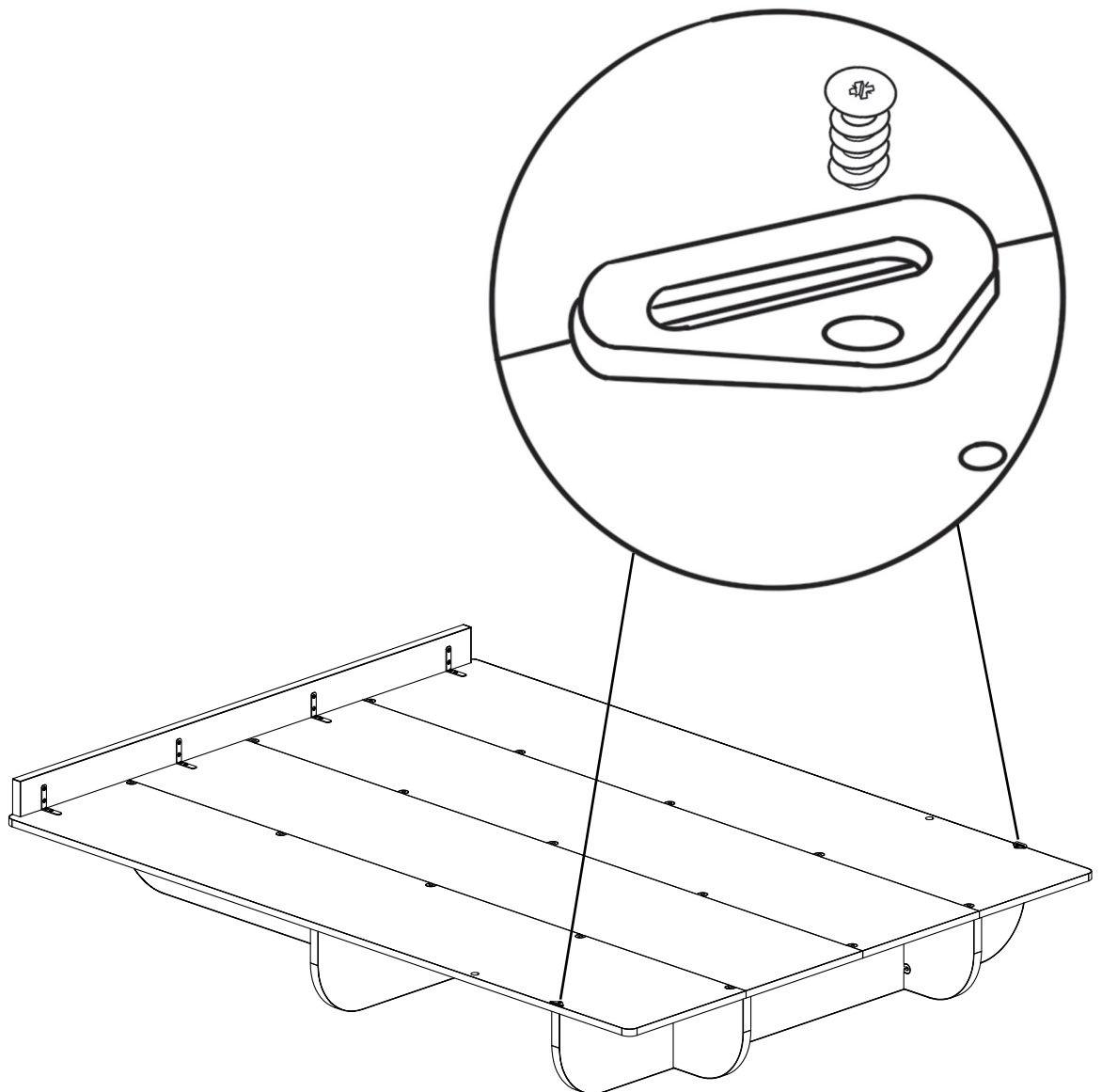
With a **Hand-Held Phillips Head Screwdriver** or drill/driver on low-torque setting, install the **Mattress Strap Anchors** with **x1 Anchor Screw** in each **Mattress Strap Anchor** pilot hole.

Do not over-tighten as we will add to this at a later step.

MATTRESS STRAP ANCHORS x2



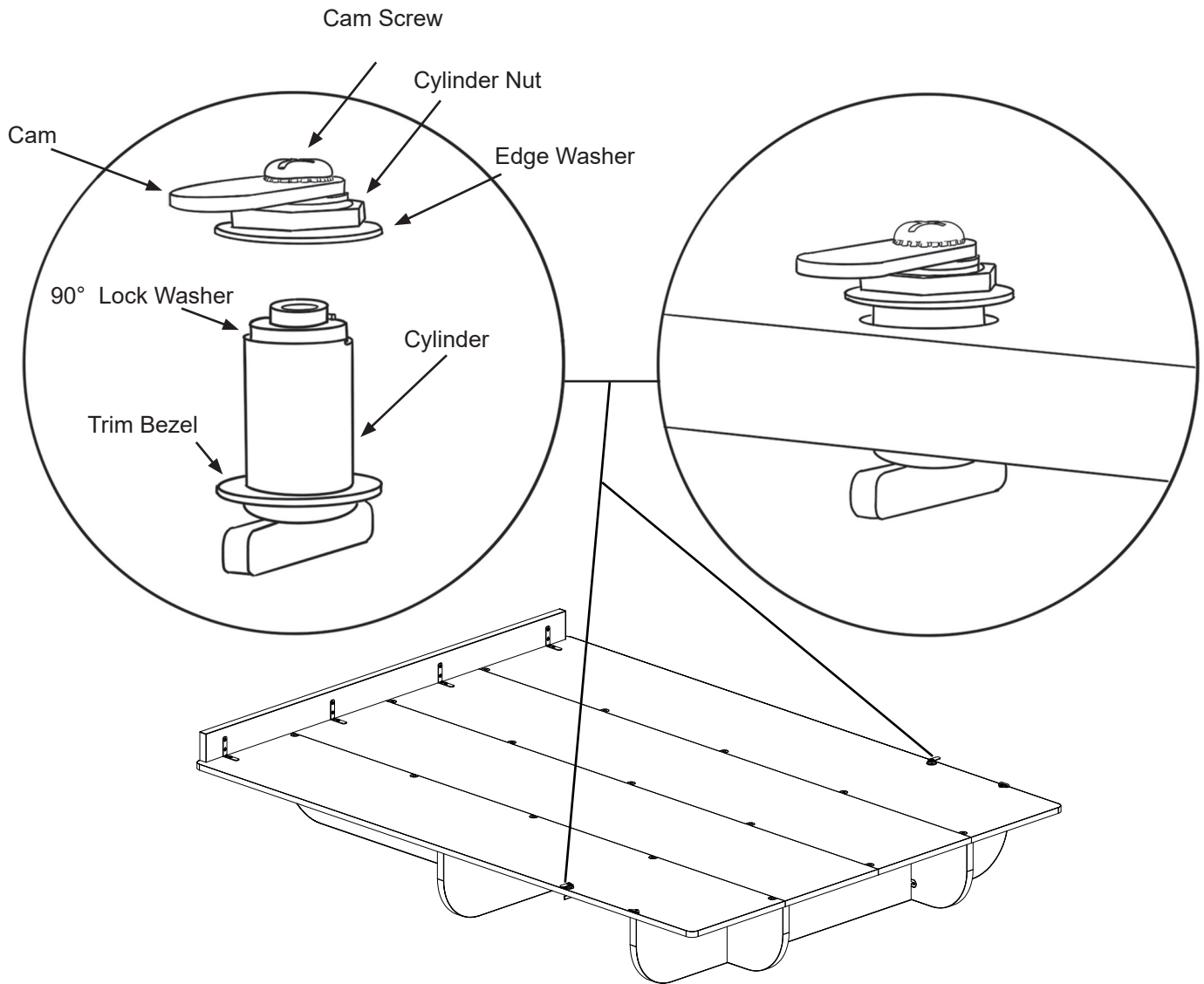
ANCHORS SCREWS x2



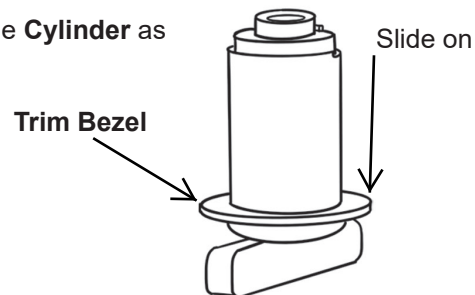
# STEP 16.A

## LOCKS

Install the Locks onto each side of the **Mattress Platform** using the steps on the next page. There is 1 **Standard Lock** and **Keyed Lock** included with every kit.

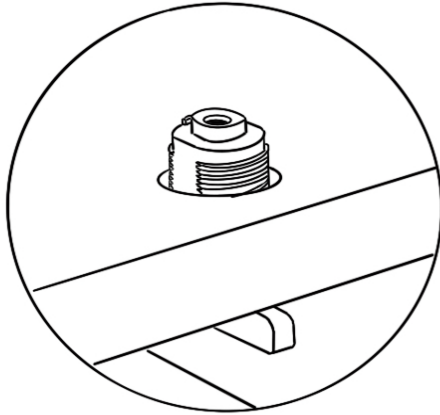


Start by sliding the **Trim Bezel** onto the **Cylinder** as show on the image to the right

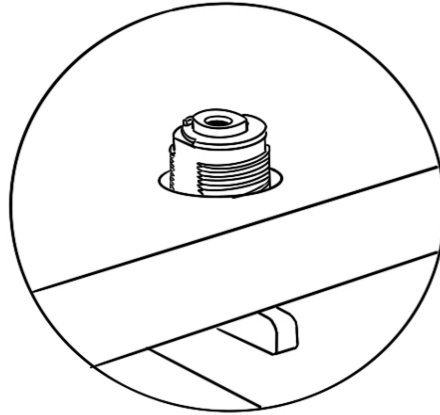


# STEP 16.B

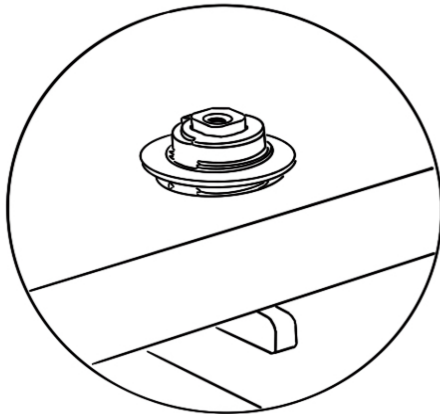
## LOCKS



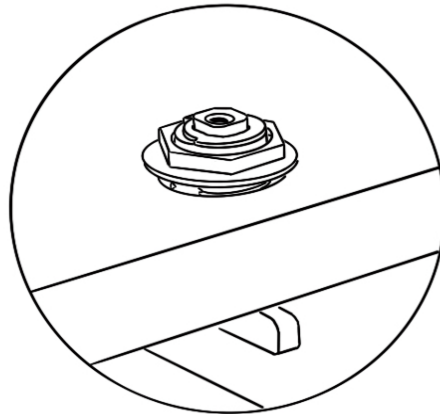
**Step 1** - Insert the **Lock Cylinder** through the **Mattress Platform**



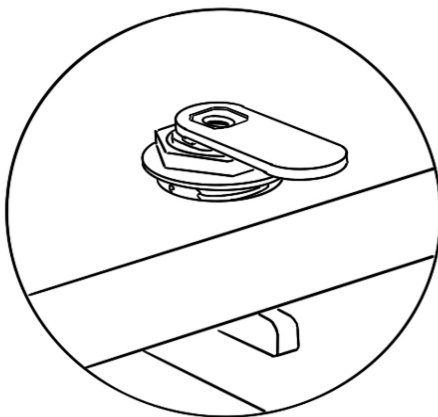
**Step 2** - Place the **90° Lock Washer** on the end of the **Lock Cylinder**



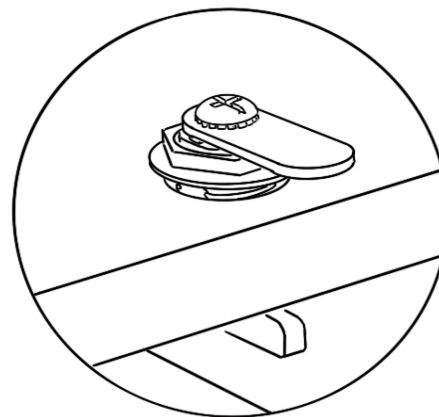
**Step 3** - Place the **Edge Washer** on the end of the **Lock Cylinder**



**Step 4** - Screw the **Cylinder Nut** onto the **Lock Cylinder** securely.



**Step 5** - Place the **Cam** onto the end of the **Lock Cylinder**



**Step 6** - Screw the **Cam** securely onto the **Lock Cylinder** with a **Hand-Held Phillips Head Screwdriver**.

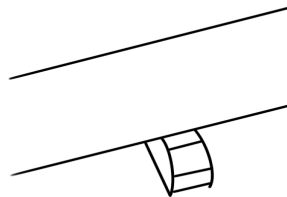
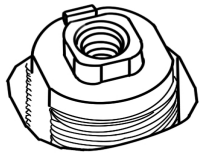
# STEP 16.C

## LOCKS

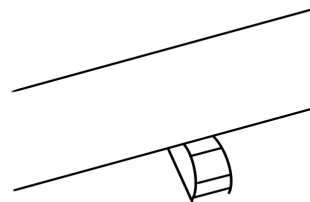
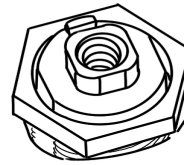
If you are unable to thread the Cylinder Nut onto the Cam, you may remove the Edge Washer to expose more of the cam's threads.

As your bed becomes acclimated to your home, humidity will leave the wood. This will cause the wood to shrink the smallest bit and the **Edge Washer** may then be required to securely hold the **Cam Latch**.

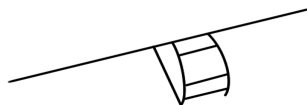
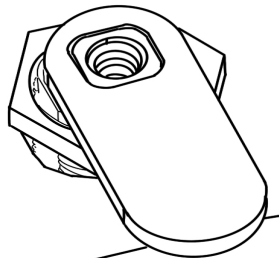
Follow steps below to install **WITHOUT** the Edge Washer.



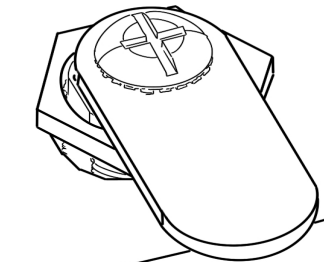
**Step 1** - Insert the **Lock Cylinder** through the **Mattress Platform**.



**Step 2** - Screw the **Cylinder Nut** onto the **Lock Cylinder** securely.

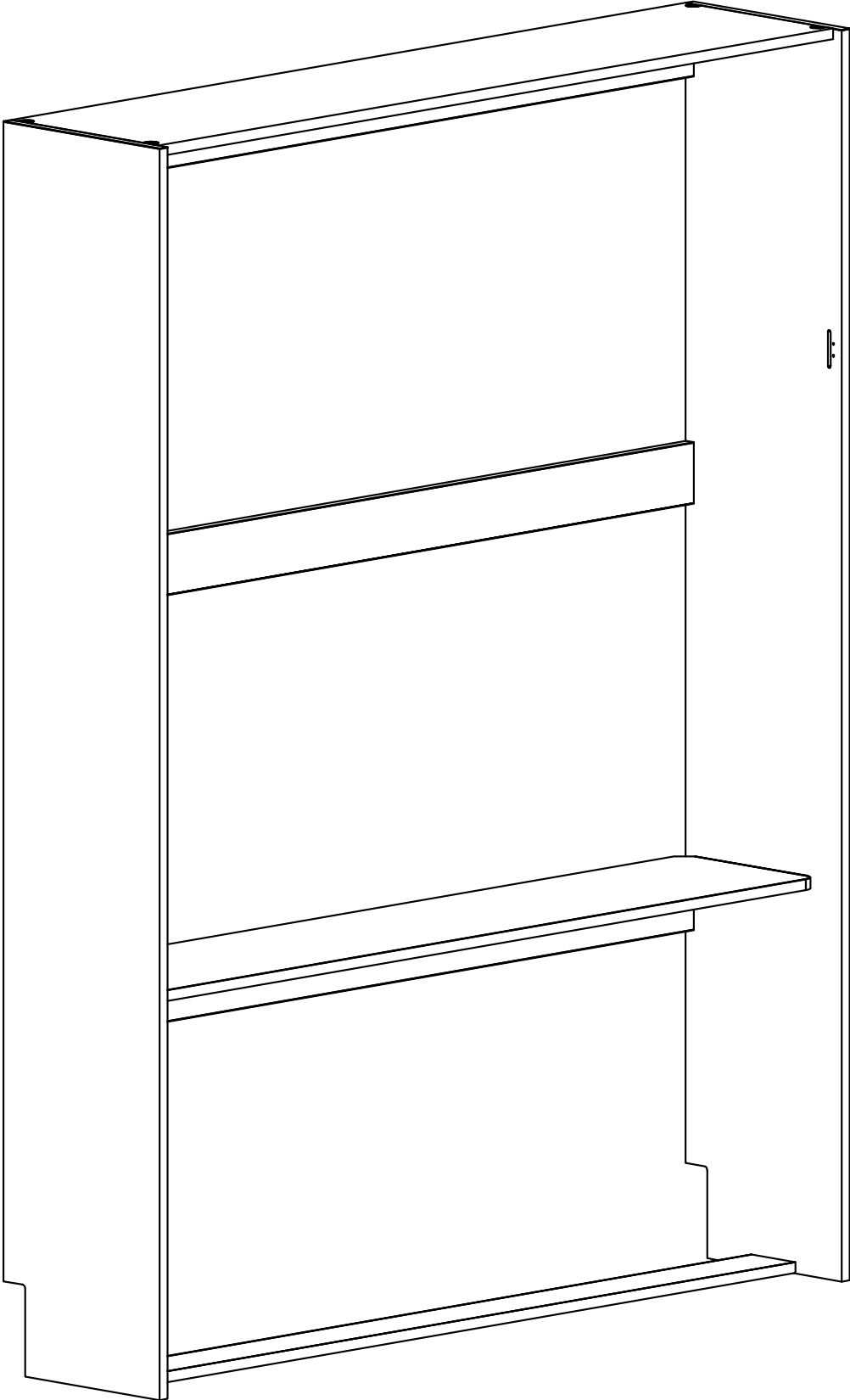


**Step 3** - Place the **Cam** onto the end of the **Lock Cylinder**.



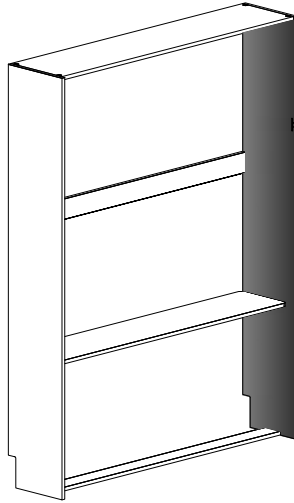
**Step 4** - Screw the **Cam** securely onto the **Lock Cylinder** with a **Hand-Held Phillips Head Screwdriver**.

# CABINET ASSEMBLY

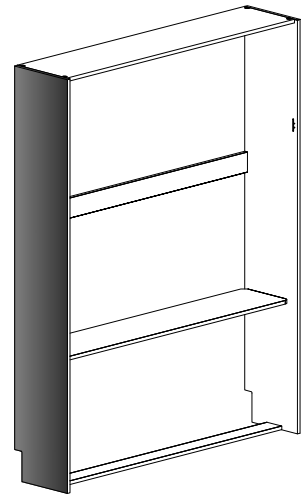


# STEP 17

## CABINET ASSEMBLY



PART 8



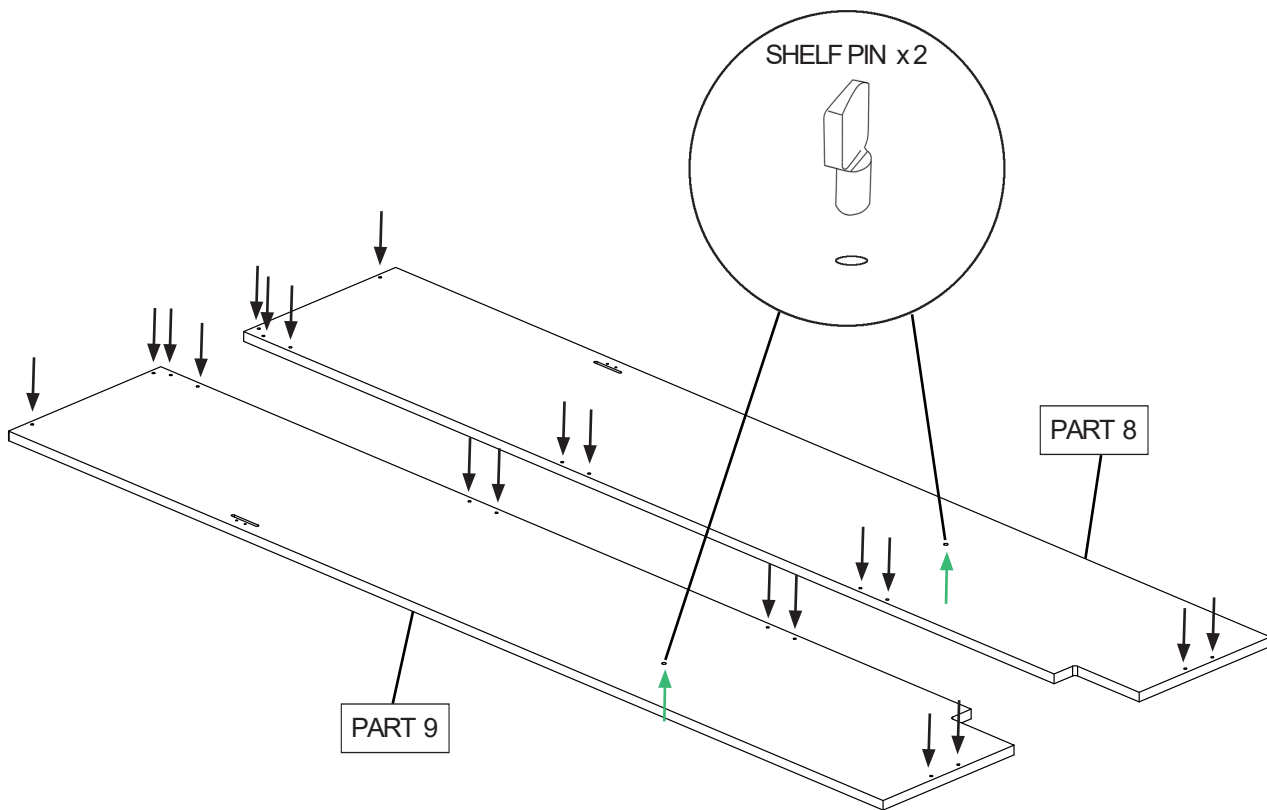
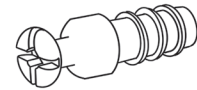
PART 9

Locate **Part 8** and **Part 9** from **Box 1**.

Using a **Hand-Held Phillips Head Screwdriver**, attach **20 Connector Screws** in the pre-drilled holes noted below with the black arrows. →

CONNECTOR SCREW x 20

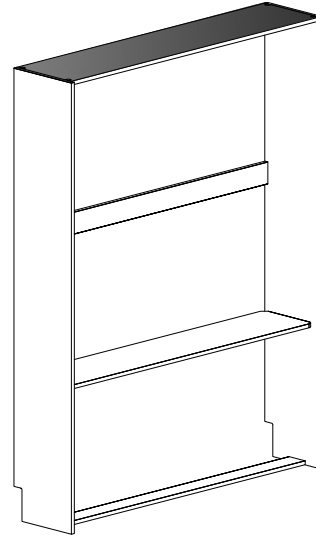
Install the **Shelf Pins** in the holes noted below with the green arrows. →





# STEP 18

## CABINET ASSEMBLY

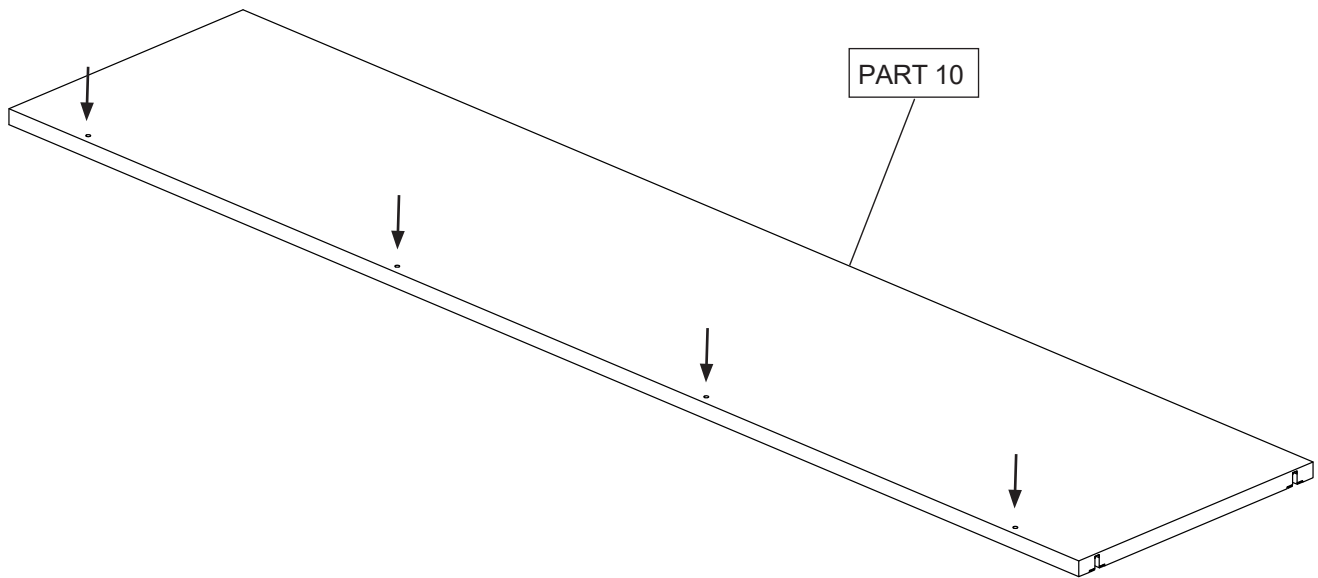
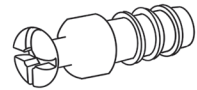


PART 10

Locate **Part 10** from **Box 2**.

Using a **Hand-Held Phillips Head Screwdriver**, attach 4 **Connector Screws** in the pre-drilled holes noted below with the arrows. →

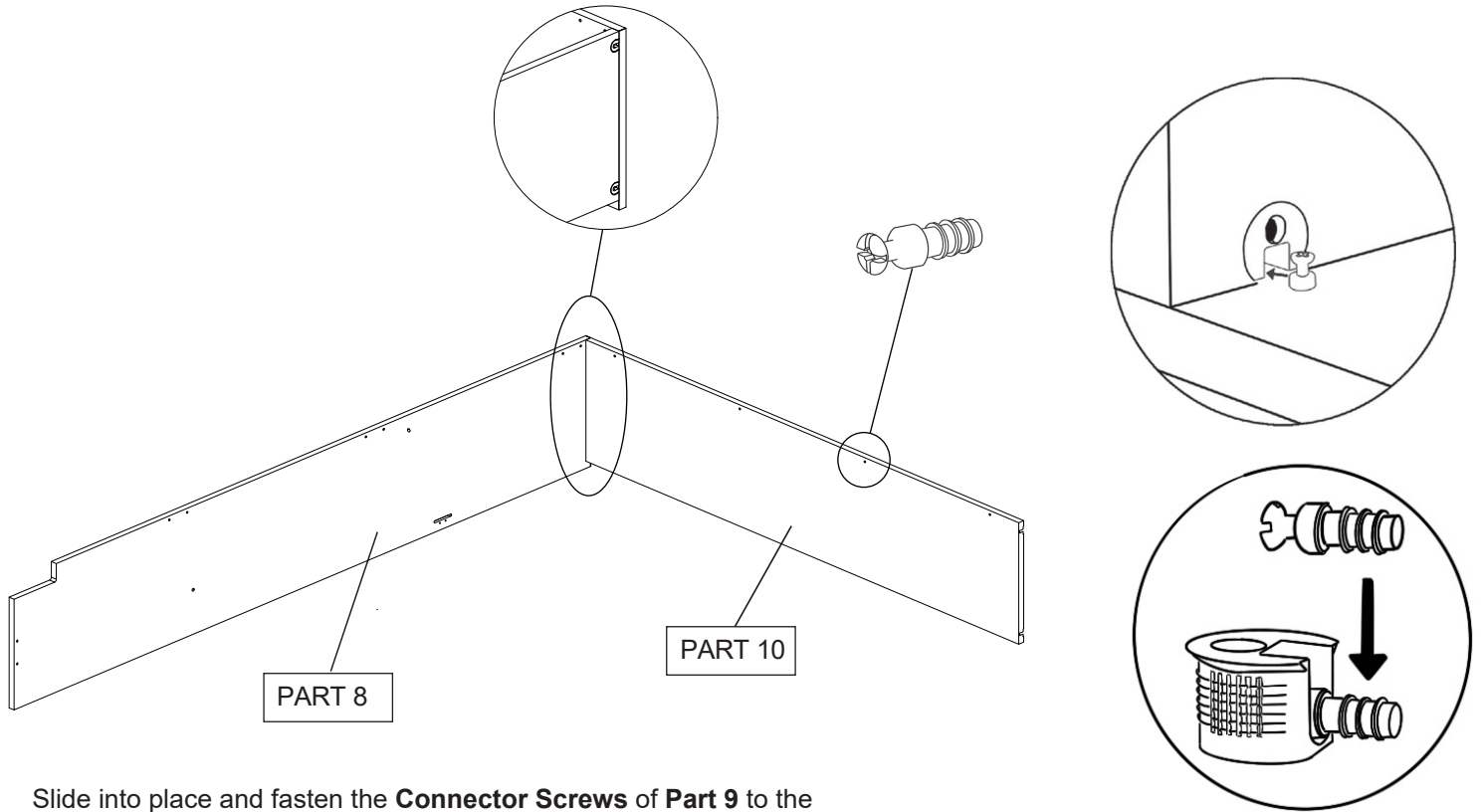
CONNECTOR SCREW x 4



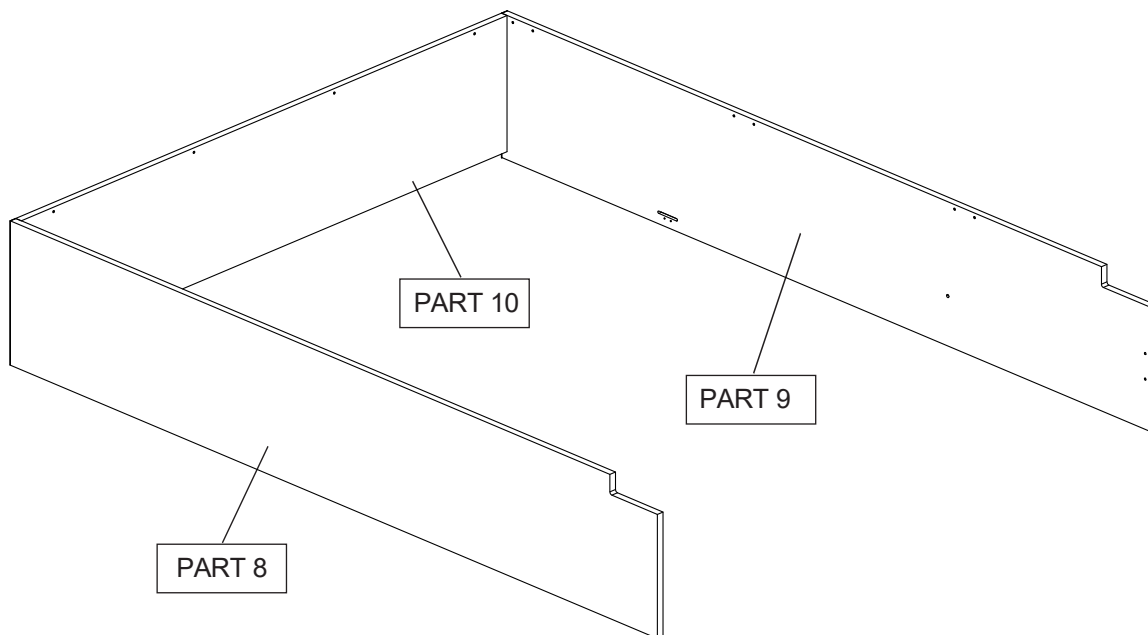
# STEP 19

## CABINET ASSEMBLY

Slide into place and fasten the **Connector Screws** of **Part 8** to the **Connector Inserts** of **Part 10**.

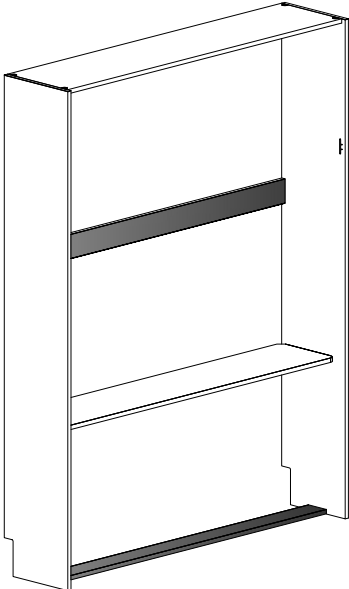


Slide into place and fasten the **Connector Screws** of **Part 9** to the **Connector Inserts** of **Part 10**.



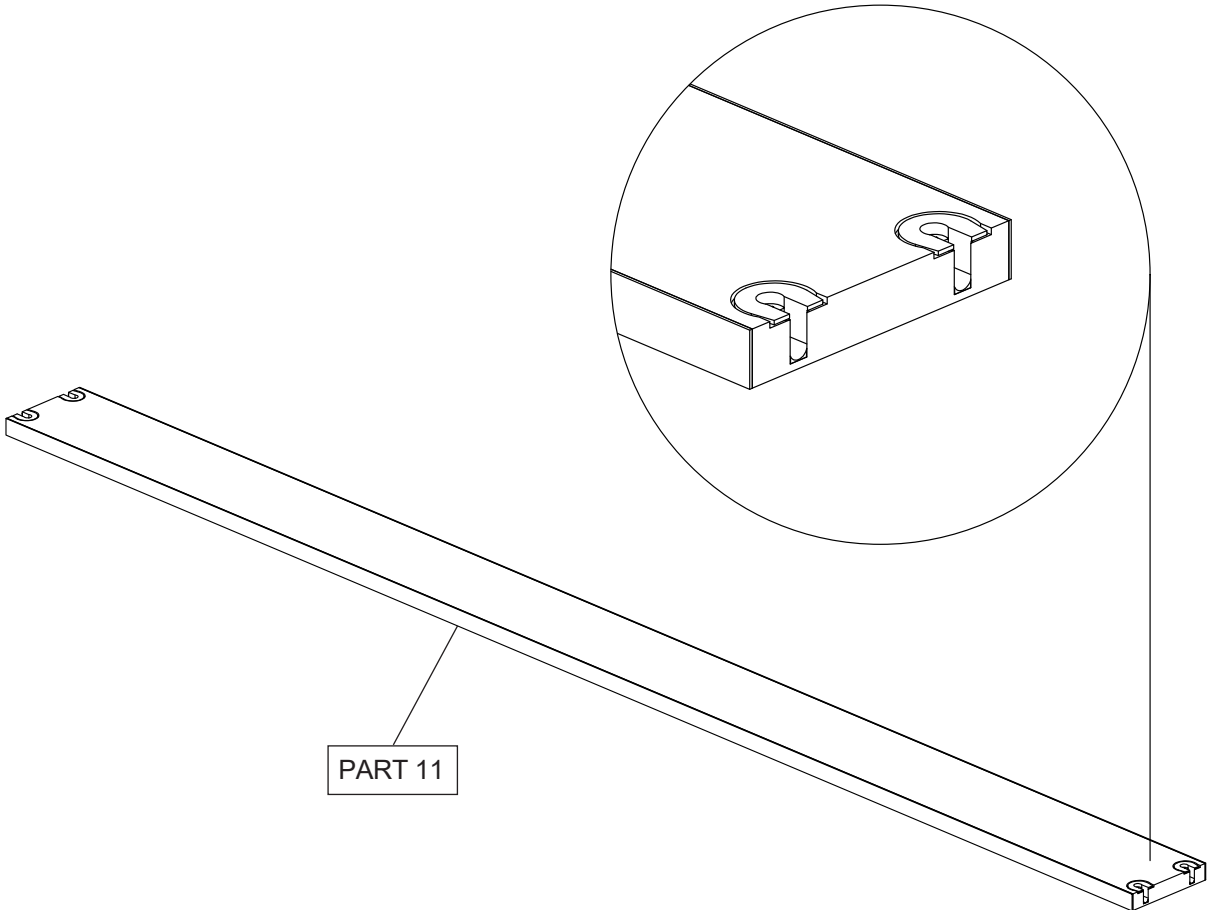
# STEP 20.A

## CABINET ASSEMBLY



PART 11 x 2

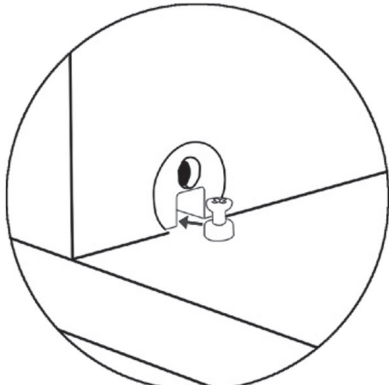
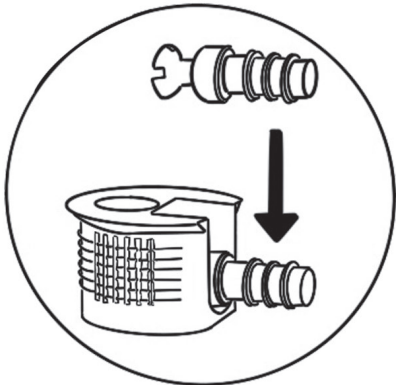
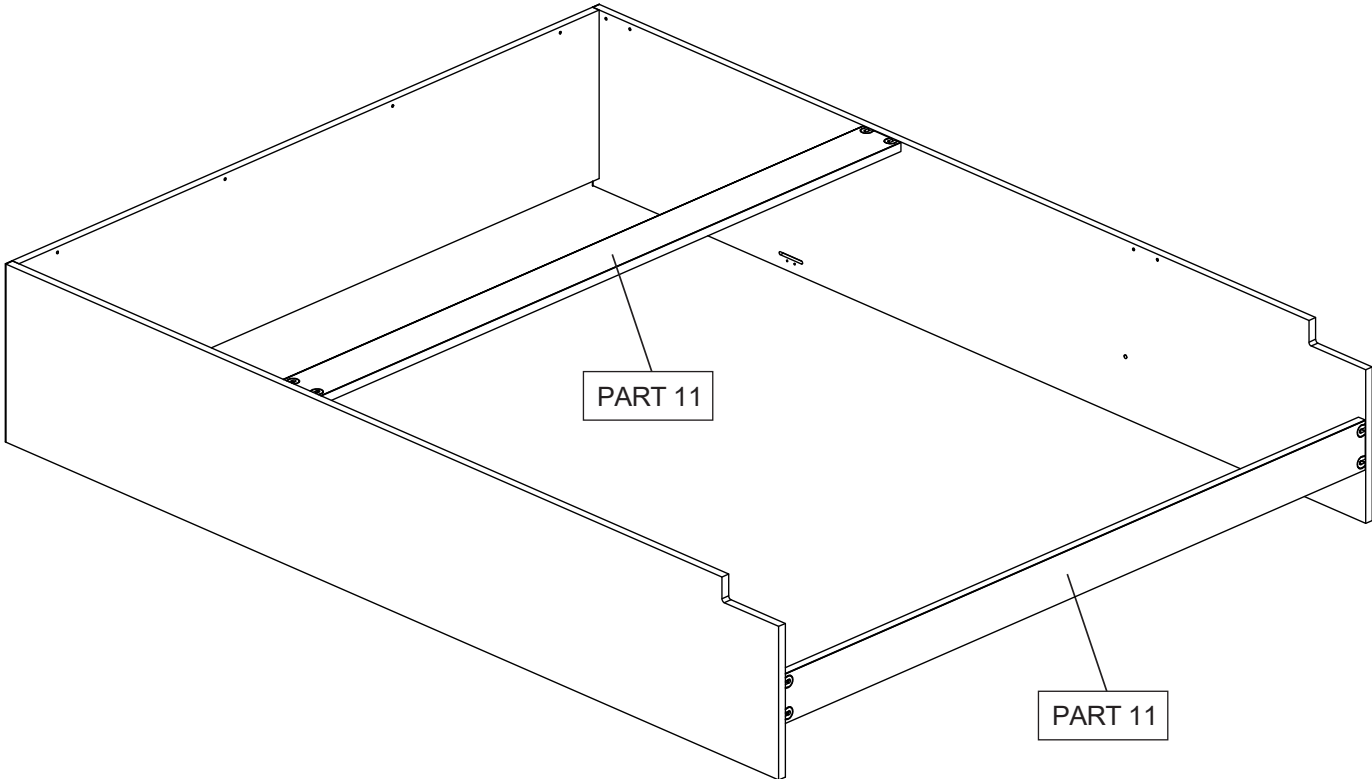
Locate 2x Part 11 from Box 2.



# STEP 20.B

## CABINET ASSEMBLY

Slide into place and fasten the **Connector Screws** of **Part 8** and **Part 9** to the **Connector Inserts** of **Parts 11**.

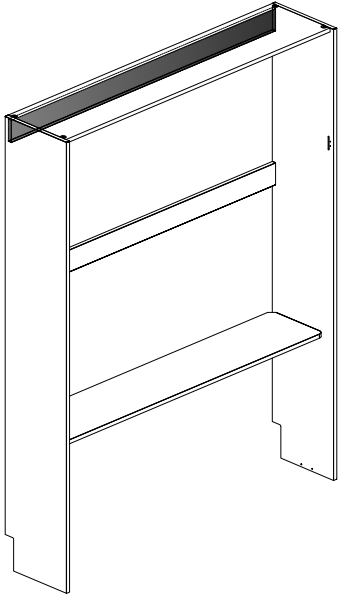


# STEP 21

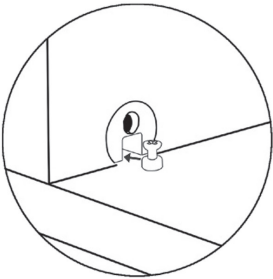
## CABINET ASSEMBLY

Locate **Part 12** from **Box 2**.

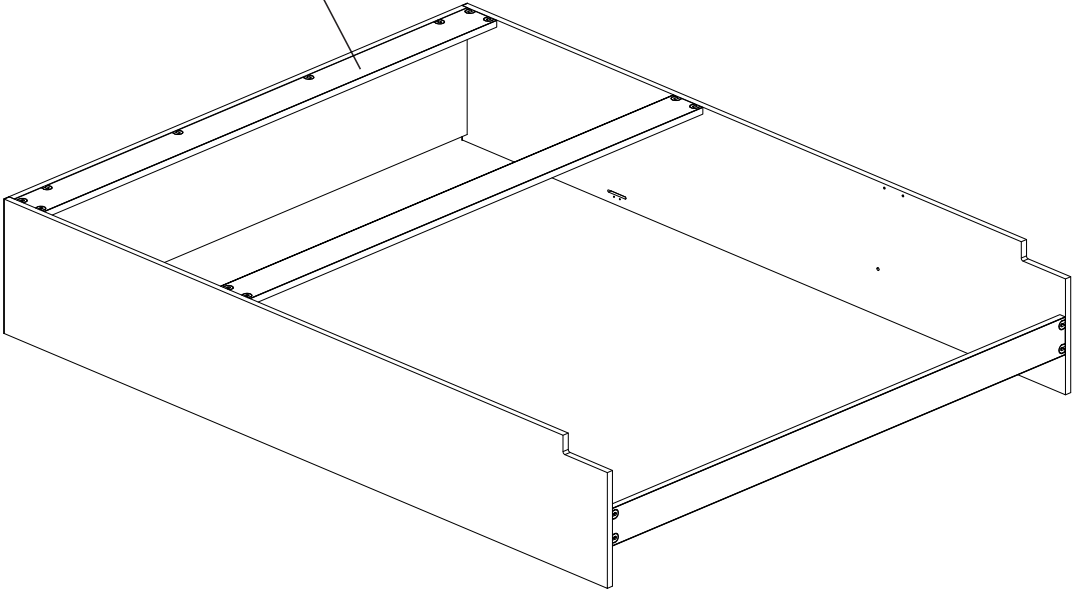
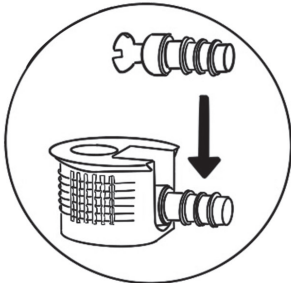
Slide into place and fasten the **Connector Inserts** of **Part 12** to the **Connector Screws** of **Part 8**, **Part 9** and **Part 10**.



PART 12



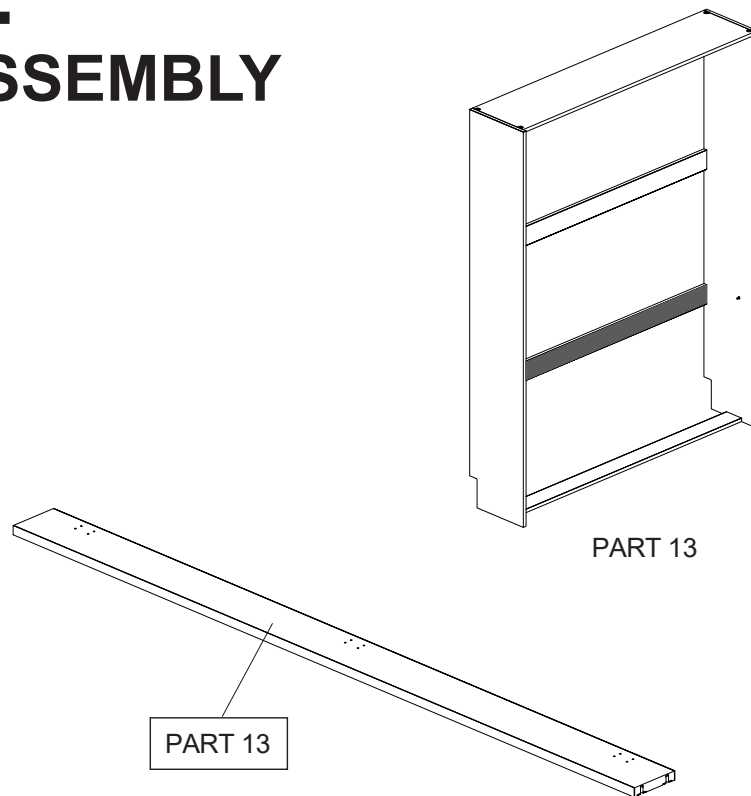
PART 12



# STEP 22

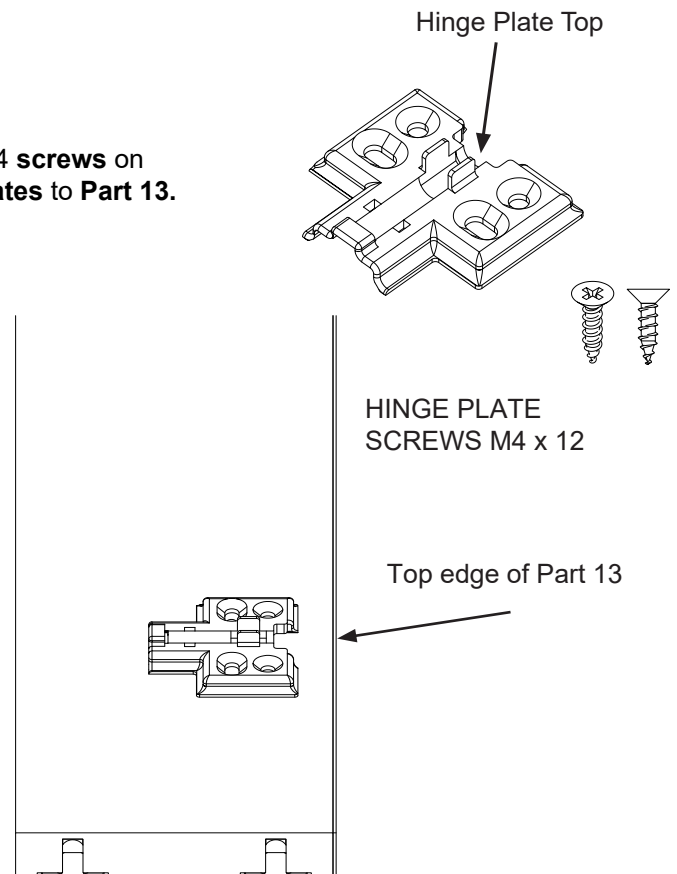
## CABINET ASSEMBLY

Locate **Part 13** from **Box 2**.



The **Hinge Plates** should be installed with the **Hinge Plate Top** closest to the top edge of the board (shown to the right). The screws should be aligned above the midline of **Part 13**.

Then, with a **Hand-Held Phillips Head Screwdriver** fasten the 4 **screws** on the **hinge plates** until it's flush. Repeat to secure all 3 **Hinge Plates** to **Part 13**.



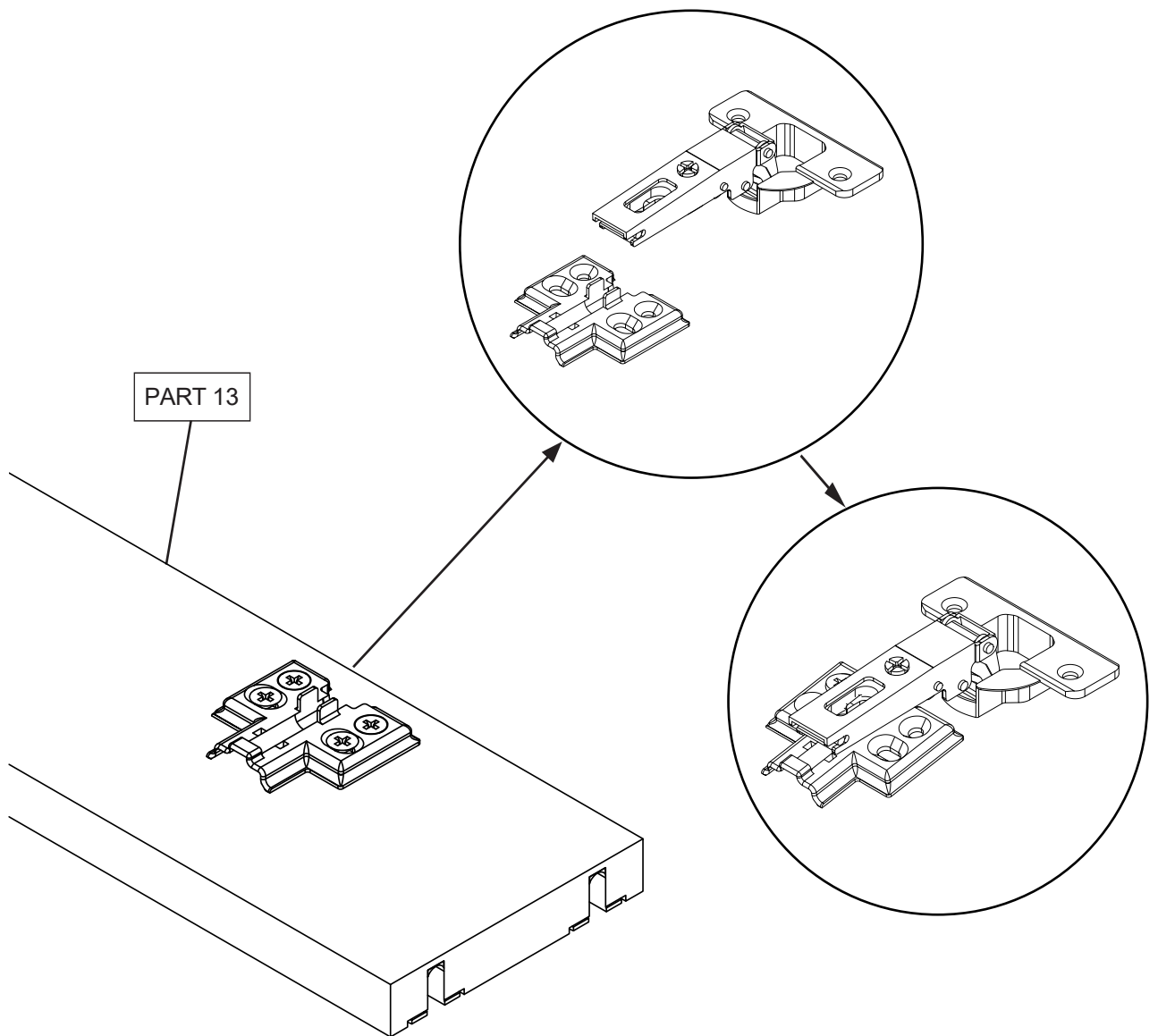
# STEP 23

## CABINET ASSEMBLY

Attach the Hinges to the Hinge Plates.

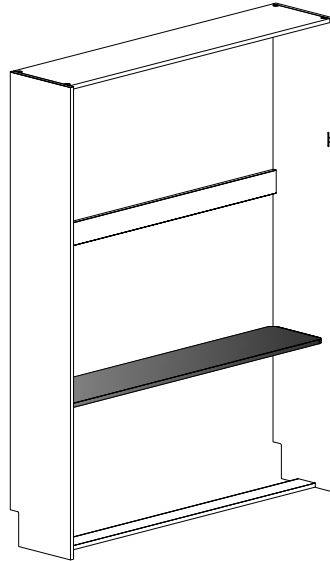
**STEP 1** - Hook the Hinge “Top Bar” on to the half circle shaped Hinge Plate “Top Notch”.

**STEP 2** - Press down on the bottom of the hinge and snap the Hinge Bottom Snap on to the Hinge Plate Bottom Catch, locking the 2 parts together. You will hear a “click” when they are attached.



# STEP 24.A

## CABINET ASSEMBLY



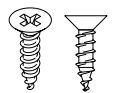
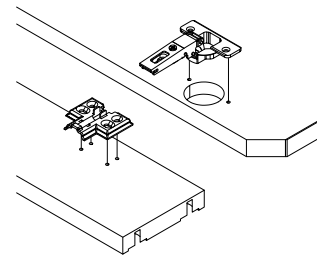
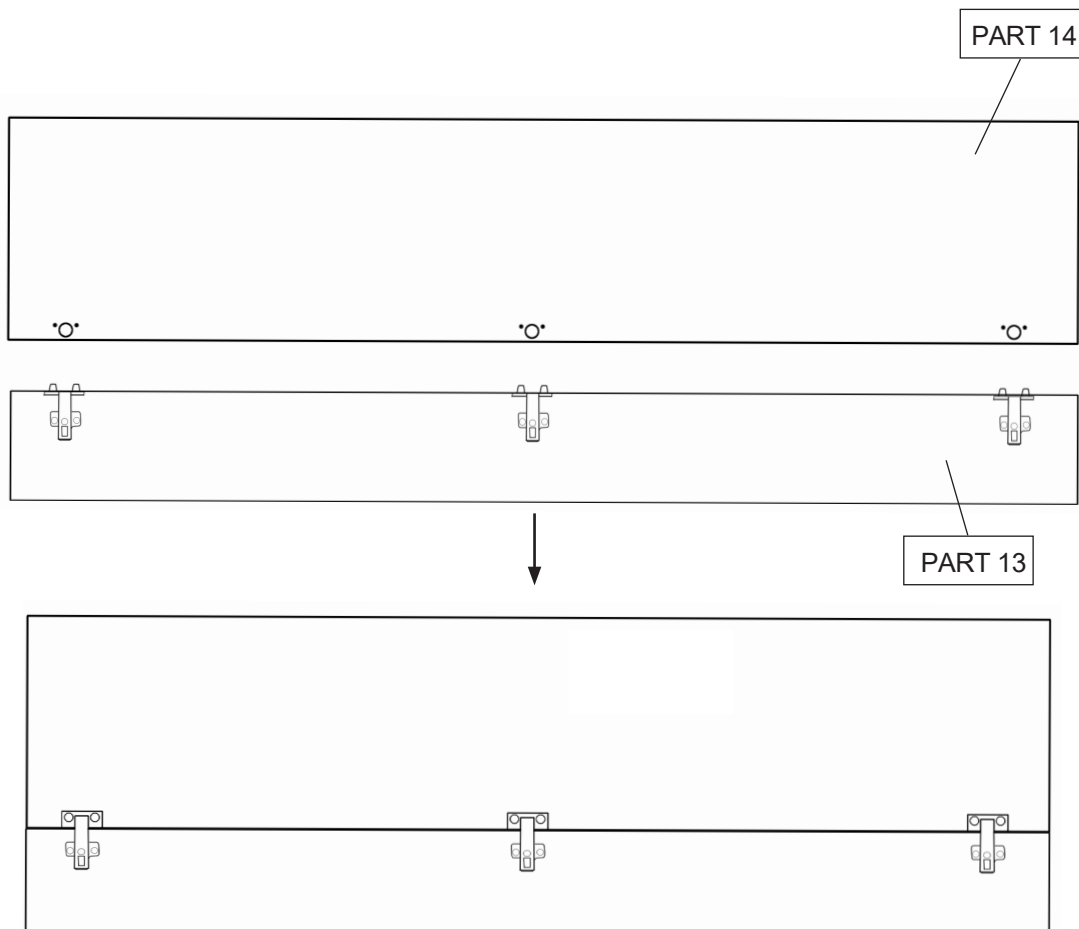
PART 14

Locate **Part 14** from **Box 2**.

Insert the 3 **Hinges** into the pre-drilled holes of **Parts 14**.

It helps to tap the hinge on the sides, alternating between each side until the hinge is flush with the surface of the wood.

Then, using a **Hand-Held Phillips Screwdriver**, fasten 2 **Hinge Screws** to the **Hinges** on **Part 14**.



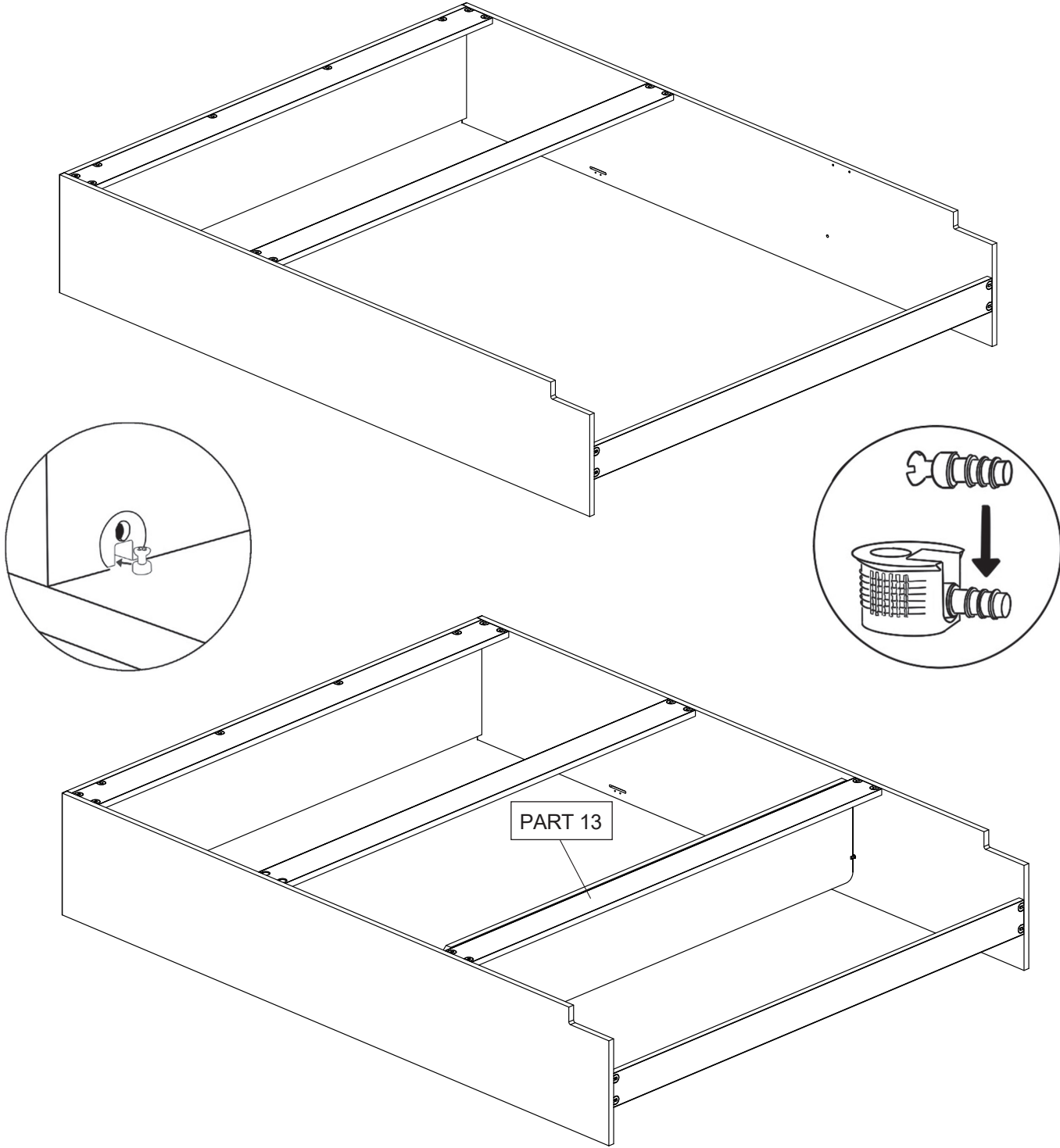
HINGE SCREWS  
M4 x 6



# STEP 24.B

## CABINET ASSEMBLY

Fasten Part 13 (with Part 14 attached) to Parts 8 + 9. The Connector Inserts will be facing up after installed.



# STEP 25

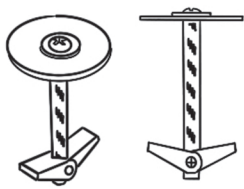
## CABINET ASSEMBLY

With the help of another person, stand the **Cabinet** against the wall and gently move into the position that it will be in-stalled.

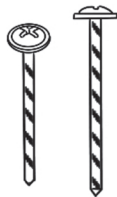
**To anchor to wood studs:** Use a stud finder to locate the studs in your wall. Using an **1/8" drill bit and a Power Drill**, drill 2-4 pilot holes through the **Upper Brace (Part 12)** and into your studs. Anchor the cabinet using **Washer Head Screws** and **Washers**. We give you 4 anchors but, depending on your wall, you can choose to install between 2-4 in total.

**To anchor to drywall:** use the **Toggle Bolts** provided. Start by drilling a pilot hole using a 3/4" paddle drill bit through the **Upper Brace (Part 12)** and into your wall. Then thread your **Toggle Bolt** assembly through the holes as shown and tighten slightly. Once you thread the wings through the hole and they expand, you won't be able to get the wings out again.

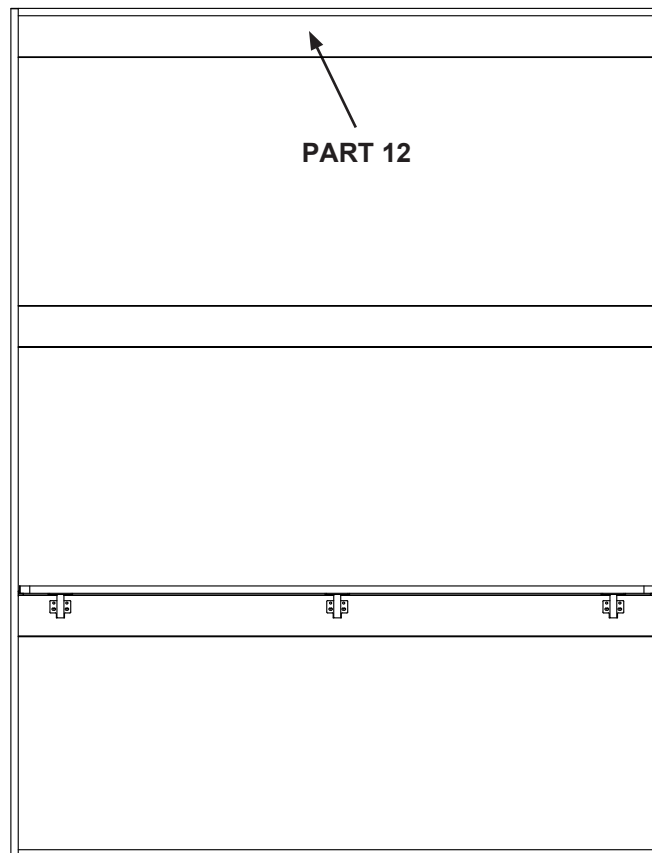
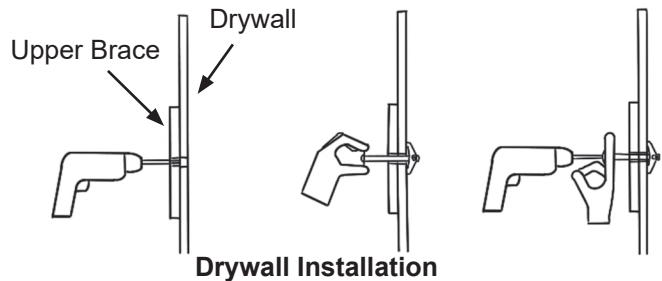
If you have plaster, masonry, or another type of wall, check with your local hardware store for the proper anchor type to use.



Toggle Bolt



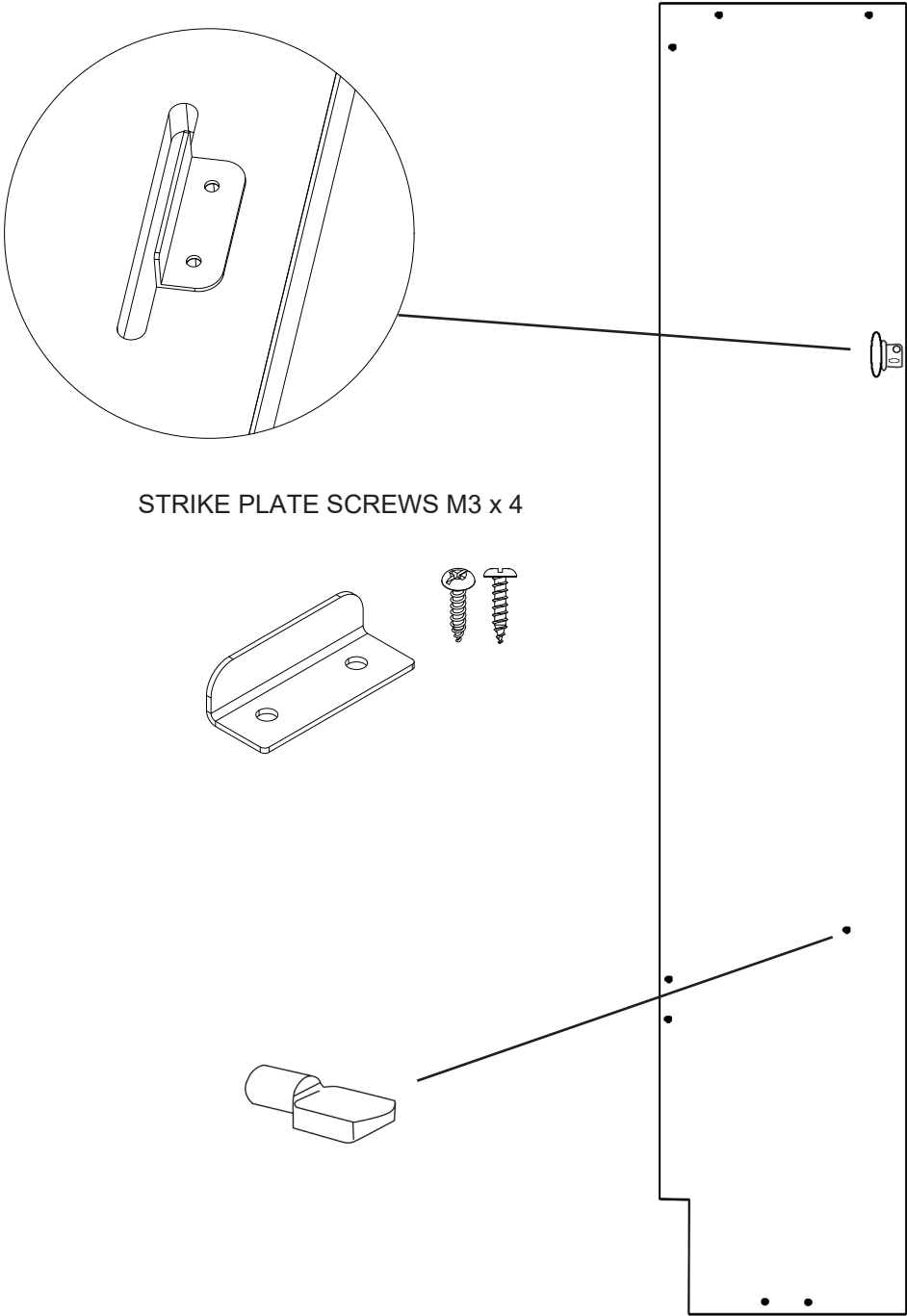
Washer Head Screws



# STEP 26

## STRIKE PLATES

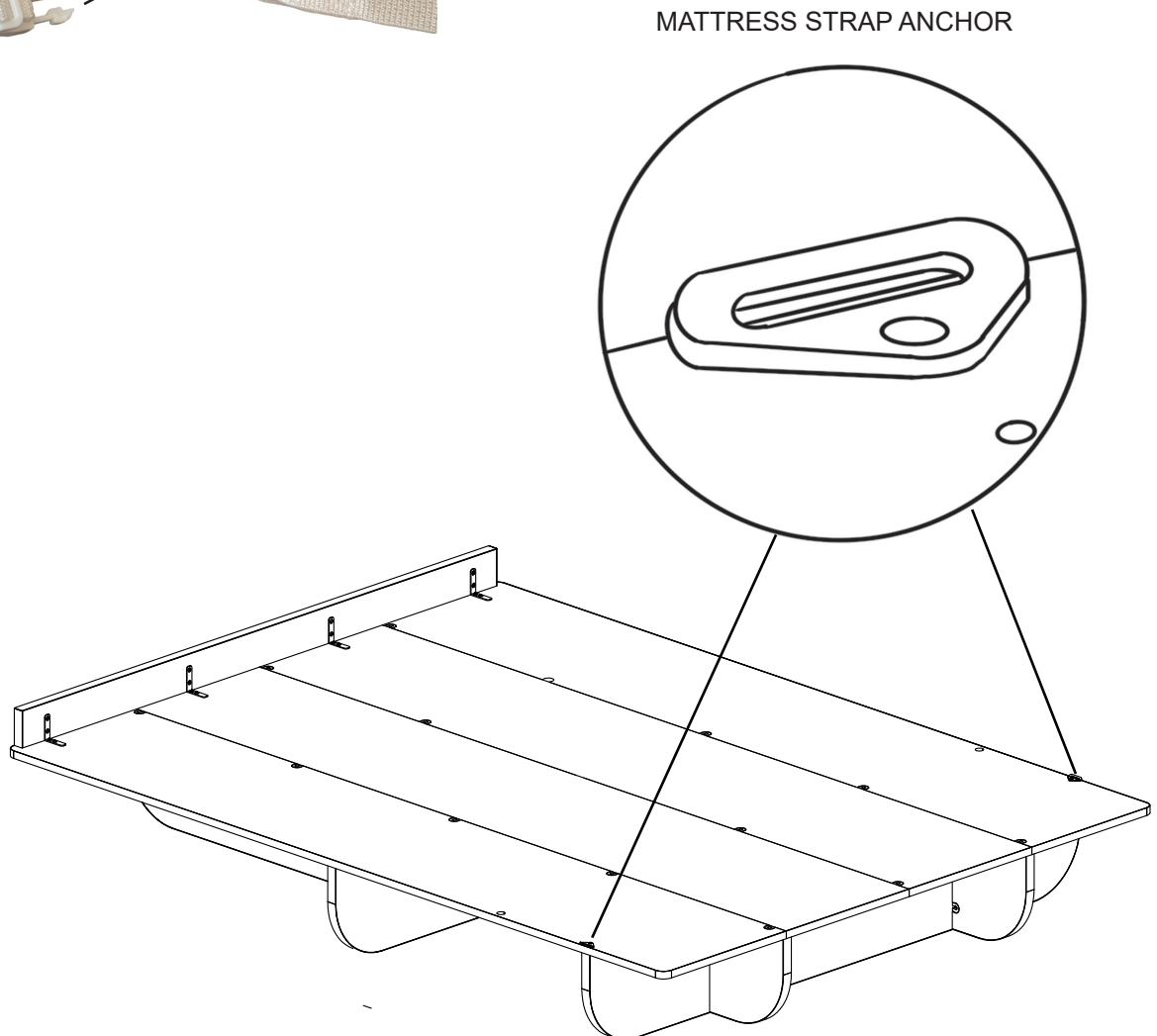
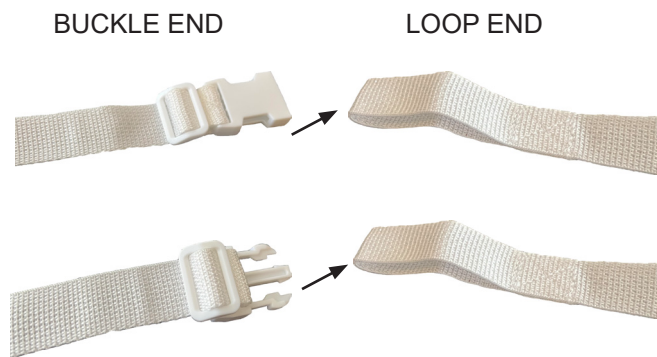
Attach the **Strike Plates** to **Parts 8 + 9** as shown below, using the screws provided in the same bag.



# STEP 27

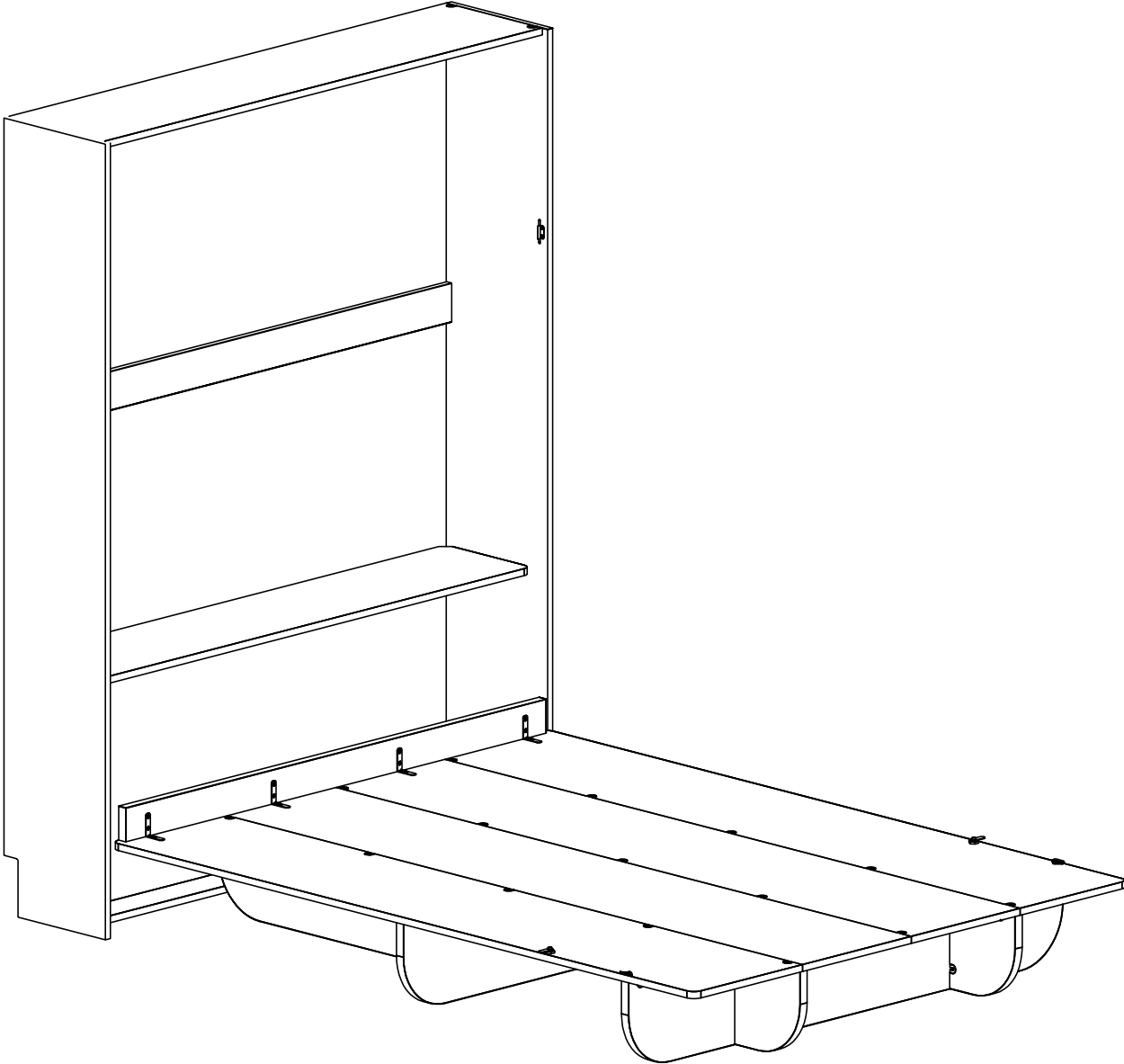
## MATTRESS STRAP

To attach the **Mattress Strap**, back out the screw of the **Mattress Strap Anchor** screw out and pass one of the looped ends through a **Mattress Strap Anchor**, and then pass a buckle end through the loop, pulling to tighten. Once the **Mattress Strap** is looped into the **Mattress Strap Anchor**, tighten the **Mattress Strap Anchor** screw down. Repeat on the other side, and then adjust as needed to fit your mattress.



# STEP 28

## FINAL ASSEMBLY



# RAISING & LOWERING

Now is your chance to test fit the **Platform** into the **Cabinet**, but are you ready? Are the dog and kids out of the way? Do you have help if you need it? Don't put your actual mattress on yet. Let's make sure we finish this project first.

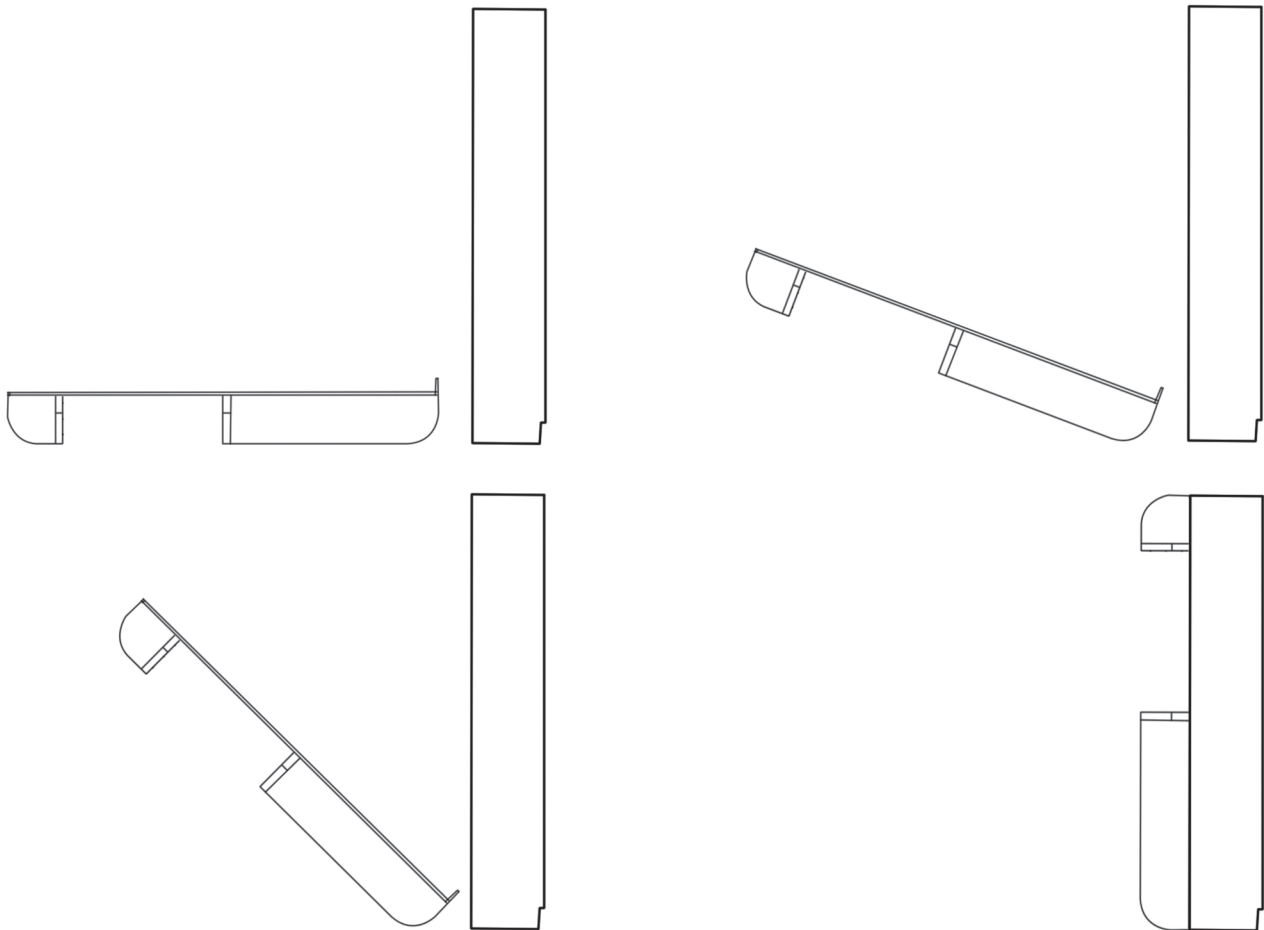
To lift the bed into place, first center the **Platform** in front of the **Cabinet** and space it away from the **Cabinet** about 6 inches. Make sure your **Headboard Shelf** is folded up, not down.

Bend at the knees, keep your back straight and core muscles tight, head forward, and "walk" the platform up and into the cabinet while keeping a lunged position (rather than leaning too far forward or back).

The **Platform** may not sit perfectly the first time but shift and nudge it a little until it fits in place. With more use it will fit better and better.

If you have wood or tile flooring, using a rubber rug or yoga mat will help to prevent slipping when opening and closing your bed. Once the bed is up and in correct position, nestle the mat or rug under **Parts #9** and **10** right where those pieces touch the floor. Then proceed to lower the bed and the mat should help keep the platform in place.

Once you feel comfortable with raising and lowering your platform, you can install the mattress.



# STEP 29

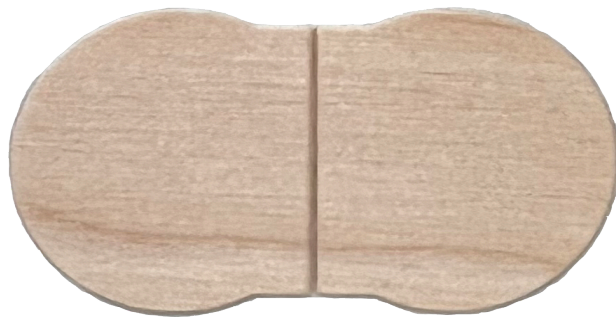
## CONNECTOR COVERS

The final step to finishing your bed is applying the **Connector Covers** to cover the **Connector Inserts** that are visible on your Lori Bed.

Simply peel the **Connector Covers** from the hardware kit and apply them on top of the **Connector Inserts** to cover the Connector hardware.

If you have a Paint-Ready bed, the provided **Connector Covers** can be painted over.

**Connector Covers**



# THANK YOU!

We're so grateful you chose to buy one of our beds, and it's very important to us that you have a good experience assembling and using our product. Let us know if there is anything we can do to improve.

And don't forget we LOVE hearing stories and seeing pictures of our customers' beds. We're constantly amazed by your creativity and really enjoy hearing how the Lori Bed fits into your life.

Please share your photos with us! You can post your bed on Facebook, and tag us @LoriBeds so others can see it. Or, share it on Instagram and mention @LoriBeds in the post. We can't wait to see how yours turns out!

Thanks again for welcoming the Lori Bed into your home!

--The Lori Beds Team  
Info@loribeds.com