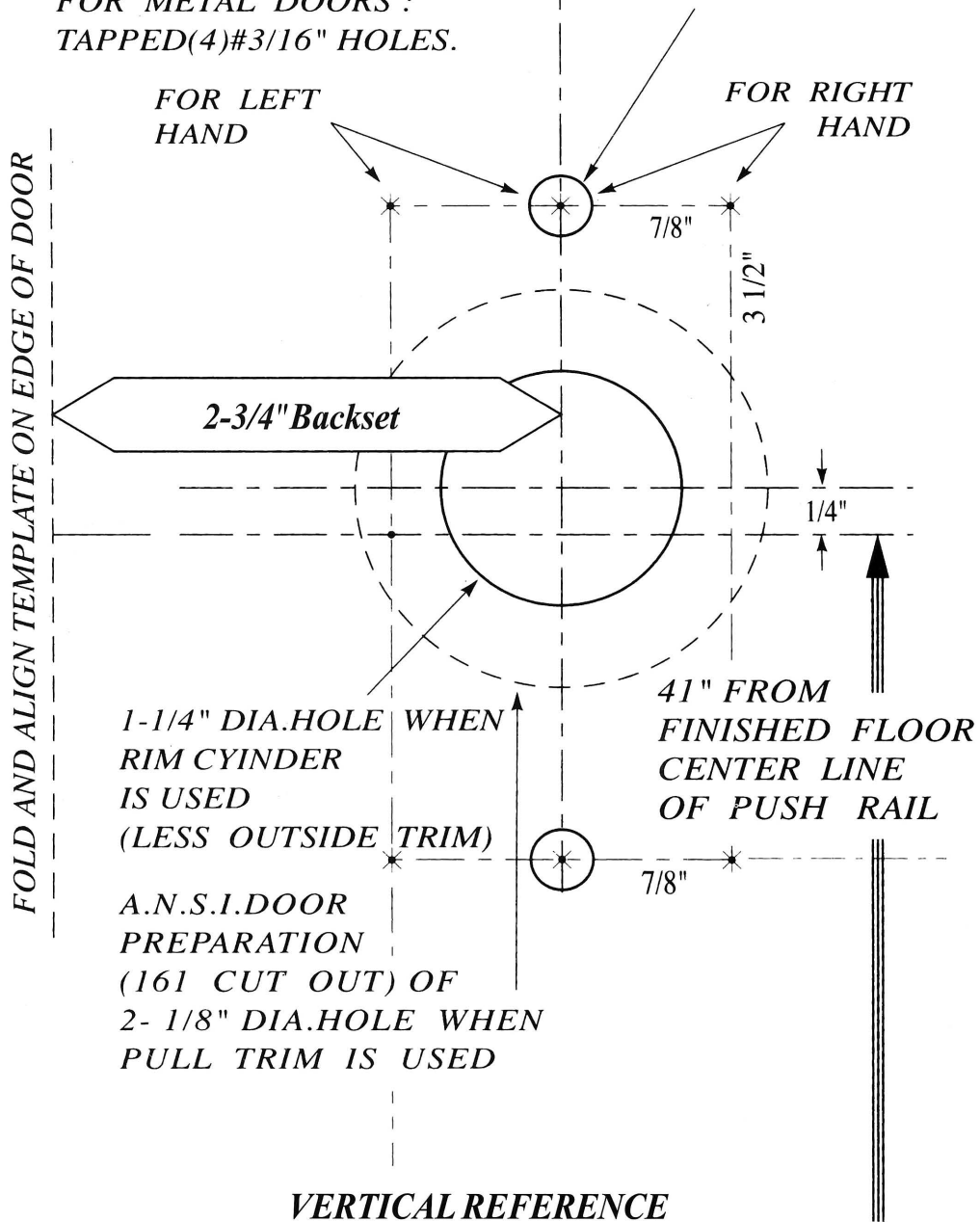


TEMPLATE for CTL Lever Trim & EMP Ball Knob Trim WITH PLATE

Page 1 of 2

FOR WOOD DOORS :
DRILL(4) 3/32" DIA.X 1-1/4"
DEEP PILOT HOLES
FOR METAL DOORS :
TAPPED(4)#3/16" HOLES.

FOR THRU-BOLTING:
DRILL(2)3/8" DIA.HOLES
THRU DOOR

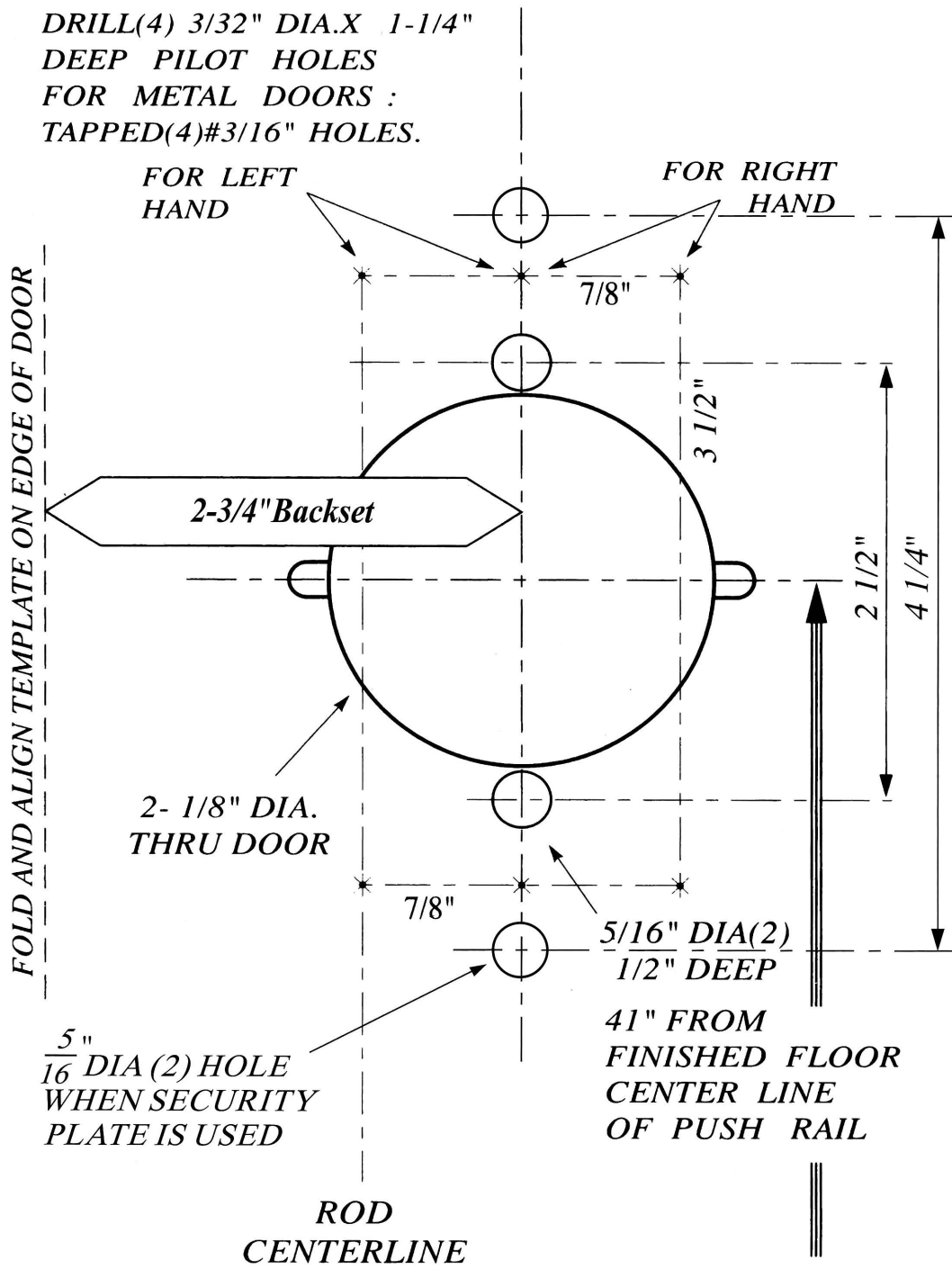


A.N.S.I.DOOR
PREPARATION
(161 CUT OUT) OF
2- 1/8" DIA.HOLE WHEN
PULL TRIM IS USED

TEMPLATE for CTL Lever Trim & EMP Ball Knob Trim WITH PLATE

Page 2 of 2

FOR WOOD DOORS :
DRILL(4) 3/32" DIA.X 1-1/4"
DEEP PILOT HOLES
FOR METAL DOORS :
TAPPED(4)#3/16" HOLES.



① FOR REFERENCE LINES REFER TO INSTRUCTION SHEET