



CX-ED1079 SERIES 'UNIVERSAL' LOW & STANDARD PROFILE ELECTRIC STRIKES



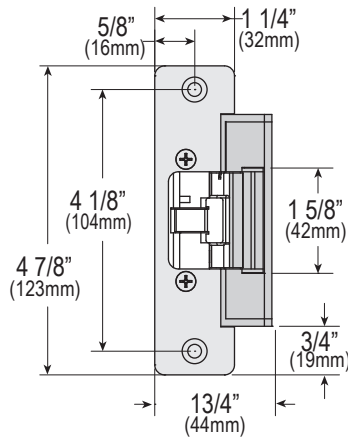
FEATURES

- COMPATIBLE WITH CENTERLINE CYLINDRICAL AND MORTISE LOCKSETS
- CX-ED1079: SHALLOW DEPTH, 1/2" - 5/8" (13mm - 16mm)
- CX-ED1079L: AS ABOVE, WITH LATCH MONITORING
- CX-ED1079D: EXTENDED DEPTH, 5/8" - 3/4" (16mm - 19mm)
- CX-ED1079DL: AS ABOVE, WITH LATCH MONITORING
- FIELD SELECTABLE FAIL SECURE/FAIL SAFE
- DUAL VOLTAGE 12/24V, AC OR DC
- ADJUSTABLE STRIKE BODY
- 3 STAINLESS STEEL FACEPLATES PROVIDED:
 - ANSI SQUARE 4 7/8" x 1 1/4" (123mm x 32mm)
 - HOLLOW METAL DOOR 6 7/8" x 1 1/4" (173mm x 32mm)
 - WOOD DOOR 7 7/8" x 1 3/8" (200mm x 36mm)
- CONTINUOUS DUTY OPERATION
- NON-HANDED
- EASY FIT CONNECTORS FOR POWER & MONITORING WIRES
- TRIM PLATE PROVIDED
- 5 YEAR WARRANTY

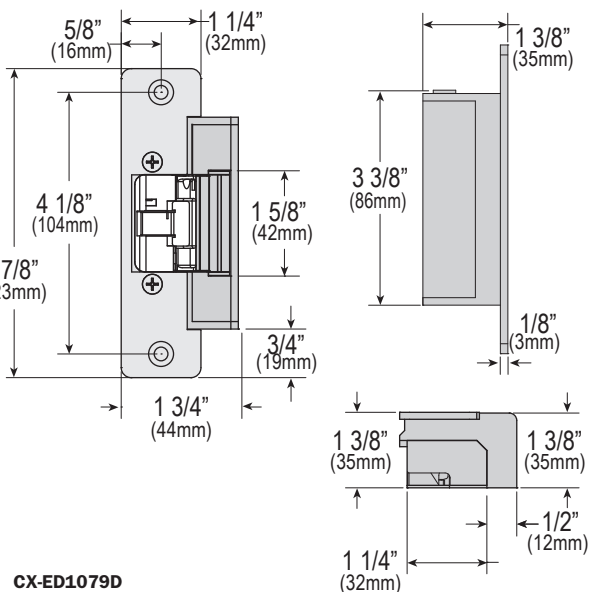
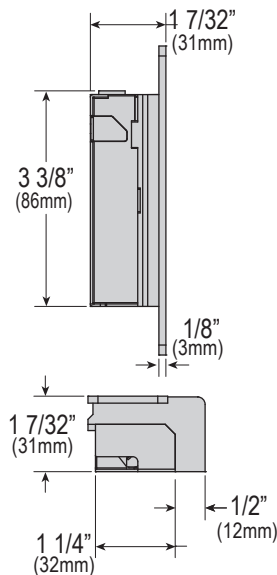
DESCRIPTION

Camden CX-ED1079 Series low profile, for 5/8" latch projection) and CX-ED1079D (standard depth, for 3/4" latch projection) 'Universal' grade 1 ANSI strikes offer 'universal' performance with selectable 12/24V AC/DC and fail safe/fail secure operation, and have horizontal faceplate/body adjustment.

CX-ED1079 AND STAINLESS STEEL FACEPLATES



CX-ED1079

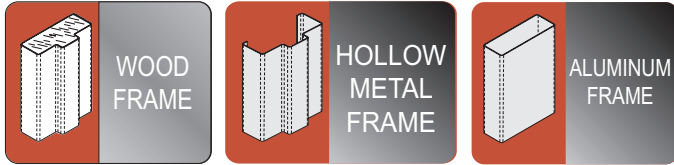


CX-ED1079D

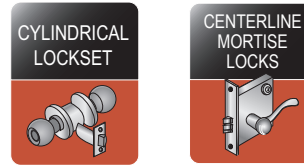
DIMENSIONS

CX-ED1079 SERIES ELECTRIC STRIKES

DOOR FRAME TYPES



COMPATIBLE LOCKSETS



SPECIFICATIONS

VOLTAGE:	12/24V AC/DC	MECHANICAL ADJUSTMENT:	STRIKE BODY
CURRENT DRAW:	260mA@12V DC, 150mA@24V DC	OPERATION:	AC – BUZZ, DC – SILENT
STATIC HOLD FORCE:	1,500 LBS.	LATCH MONITOR:	LATCH BOLT
DYNAMIC STRENGTH:	70 FT-LBS.	DUTY:	CONTINUOUS
ENDURANCE:	1,000,000 CYCLES (FACTORY TESTED) 250,000 CYCLES (UL VERIFIED)	DIMENSIONS (BODY):	
MODE:	FIELD SELECTABLE FAIL SAFE/FAIL SECURE	CX-ED1079:	3 3/8" L x 1 3/4" W x 1 7/32" D (86mm x 44mm x 31mm)
		CX-ED1079D:	3 3/8" L x 1 3/4" W x 1 3/8" D (86mm x 44mm x 35mm)

ORDERING INFORMATION

CX-ED1079: LOW PROFILE GRADE 1 'UNIVERSAL' ELECTRIC STRIKE, 12/24V AC/DC, FAIL SAFE/FAIL SECURE OPERATION, HORIZONTAL ADJUSTMENT, AND 3 STAINLESS STEEL FACEPLATES (CX-ESP1B, CX-ESP3B & CX-ESP4B)

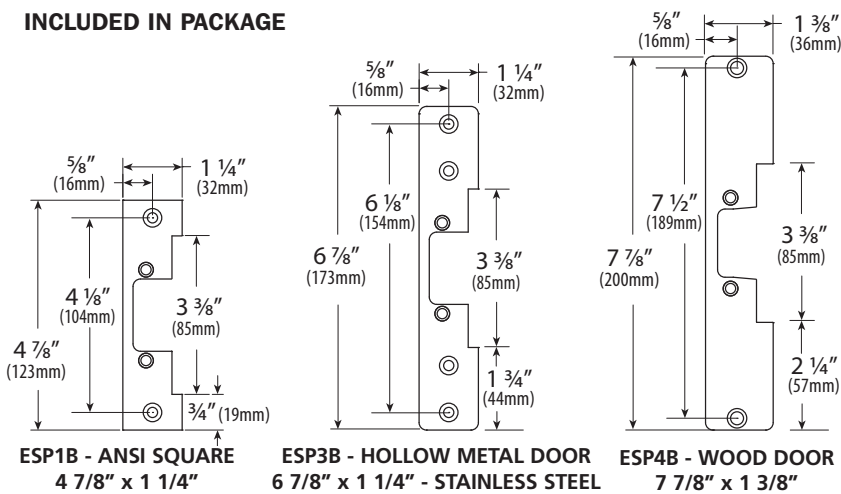
CX-ED1079L: AS ABOVE, WITH LATCH MONITORING

CX-ED1079D: STANDARD DEPTH GRADE 1 'UNIVERSAL' ELECTRIC STRIKE, 12/24V AC/DC, FAIL SAFE/FAIL SECURE OPERATION, HORIZONTAL ADJUSTMENT, AND 3 STAINLESS STEEL FACEPLATES (CX-ESP1B, CX-ESP3B & CX-ESP4B)

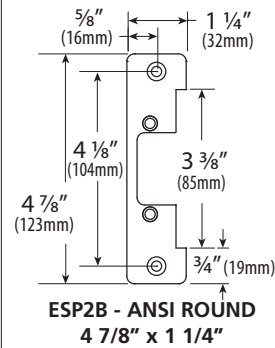
CX-ED1079D: AS ABOVE, WITH LATCH MONITORING

FACEPLATES

INCLUDED IN PACKAGE



ADDITIONAL FACEPLATE



CX-JIG1



CX-ED-LIP1

CUTTING JIGS

- CX-JIG1:** FOR CX-ED1079L STRIKE, ANSI ROUND FACEPLATE (CX-ESP2B)
- CX-JIG2:** FOR CX-ED1079L STRIKE, HOLLOW METAL DOOR FACEPLATE (CX-ESP3B)
- CX-JIG3:** FOR CX-ED1079DL STRIKE, ANSI ROUND FACEPLATE (CX-ESP2B)
- CX-JIG4:** FOR CX-ED1079DL STRIKES, HOLLOW METAL DOOR FACEPLATE (CX-ESP3B)
- CX-JIG5:** FOR CX-ED1079L/DL STRIKES, ANSI & HOLLOW METAL DOOR FACEPLATES

LIP EXTENSION BRACKETS

- CX-ED-LIP1:** 1" LIP EXTENSION FOR ANSI STRIKES (STACKABLE)
- CX-ED-LIP2:** 2" LIP EXTENSION FOR ANSI STRIKES