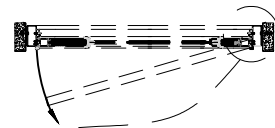
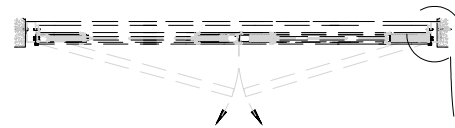
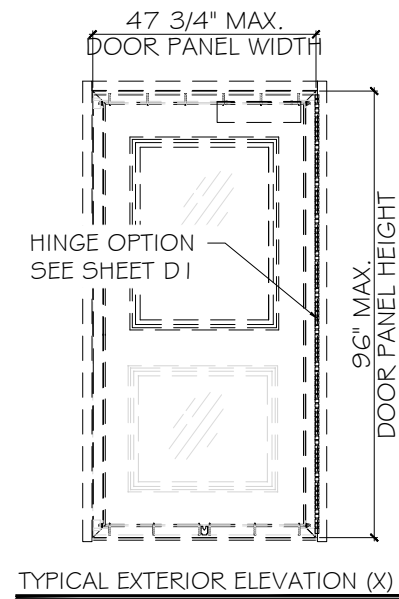
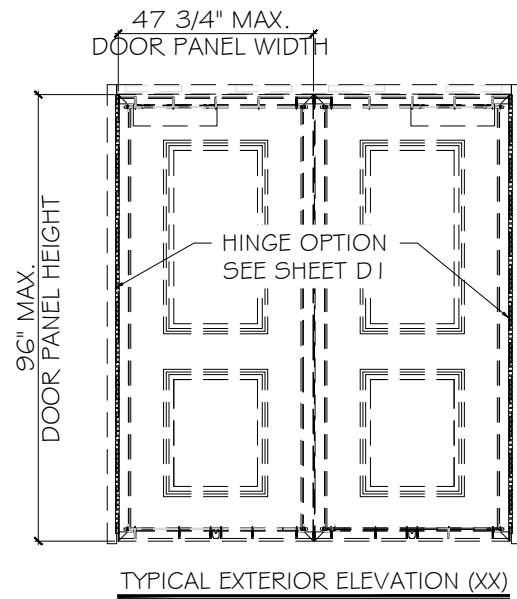
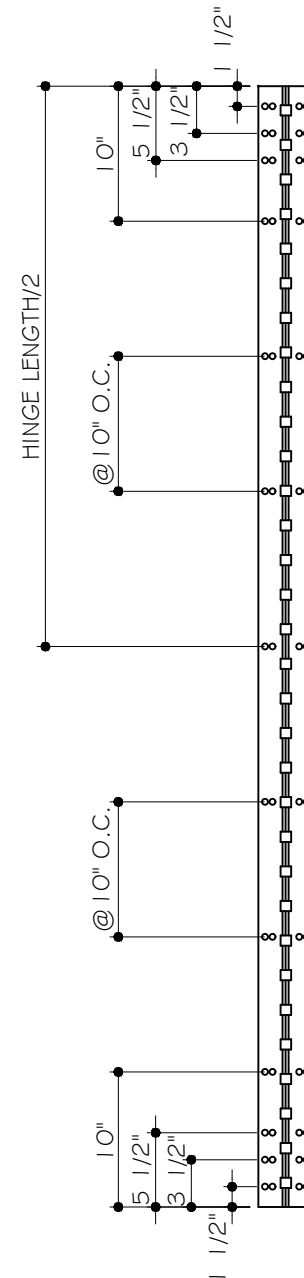
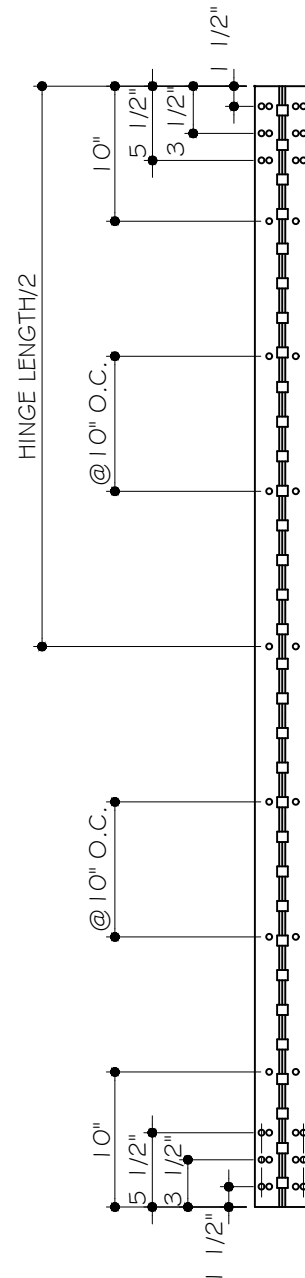
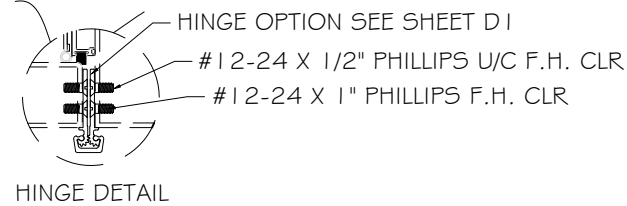


SELECT HINGE CONTINUOUS DOOR HINGE LARGE AND SMALL MISSILE IMPACT (HVHZ)



DESIGN LOADS (FOR SIZES SHOWN OR SMALLER) AS PERMITTED BY FBC
+ 65.0 PSF
- 65.0 PSF

NOTE:
SINGLE DOOR CAN BE QUALIFIED BY
DOUBLE DOOR, DOOR SEE SEPARATE
FLORIDA APPROVAL



NOTE: TOP END OF THE HINGE MUST
BE FLUSH WITH THE TOP OF THE DOOR.

CONTINUOUS DOOR HINGE (LMI & SMI)

- THIS PRODUCT HAS BEEN DESIGNED AND TESTED TO COMPLY WITH THE REQUIREMENTS OF THE FLORIDA BUILDING CODE 7TH EDITION (2020), TO BE USED INSIDE HIGH VELOCITY HURRICANE ZONE (HVHZ).
- DOOR HINGE RATED FOR LARGE AND SMALL MISSILE IMPACT .
- ANCHORS SHALL BE AS LISTED, SPACED AS SHOWN ON ELEVATIONS.
- ANCHORING OR LOADING CONDITIONS NOT SHOWN IN THESE DETAILS ARE NOT PART OF THIS APPROVAL.
- THE DESIGN LOADS SHOWN IN THIS DOCUMENT ARE ALLOWABLE DESIGN LOADS. ULTIMATE LOAD OBTAINED FROM ASCE 7, MULTIPLY BY 0.6 SHALL BE LESS THAN OR EQUAL TO MAX. DESIGN LOAD IN THIS DOCUMENT.

- LIMITATIONS OF USE**
- A- THIS PRODUCT EVALUATION DOCUMENT (P.E.D.) PREPARED BY THIS ENGINEER IS GENERIC AND DOES NOT PROVIDE INFORMATION FOR A SITE SPECIFIC PROJECT. I.e. WHERE THE SITE CONDITIONS DEVIATE FROM THE P.E.D.
 - B- CONTRACTOR TO BE RESPONSIBLE FOR THE SELECTION, PURCHASE AND INSTALLATION OF THIS PRODUCT BASED ON THIS PRODUCT EVALUATION PROVIDED HE/SHE DOES NOT DEVIATE FROM THE CONDITIONS DETAILED ON THIS DOCUMENT.
 - C- THIS PRODUCT EVALUATION DOCUMENT WILL BE CONSIDERED INVALID IF ALTERED BY ANY MEANS.
 - D- SITE SPECIFIC PROJECTS SHALL BE PREPARED BY A FLORIDA REGISTERED ENGINEER OR ARCHITECT WHICH WILL BECOME THE ENGINEER OF RECORD (E.O.R.) FOR THE PROJECT AND WHO WILL BE RESPONSIBLE FOR THE PROPER USE OF THE P.E.D.
 - E- THIS P.E.D. SHALL BEAR THE DATE AND ORIGINAL SEAL AND SIGNATURE OF THE PROFESSIONAL ENGINEER OF RECORD THAT PREPARED IT.

FLORIDA APPROVAL:
FL#39785

December 18, 2021

NO.	DATE	DESCRIPTION
1	9/26/21	NEW APPLY
2	12/18/21	REVISION

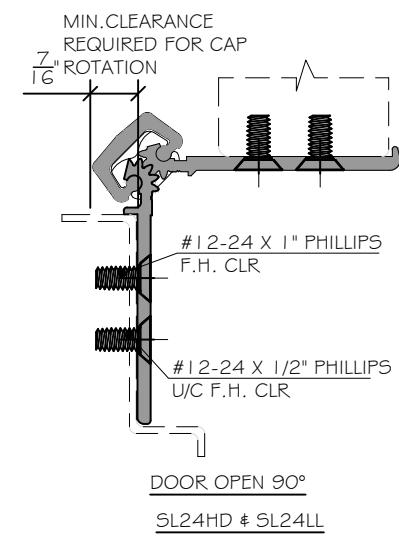
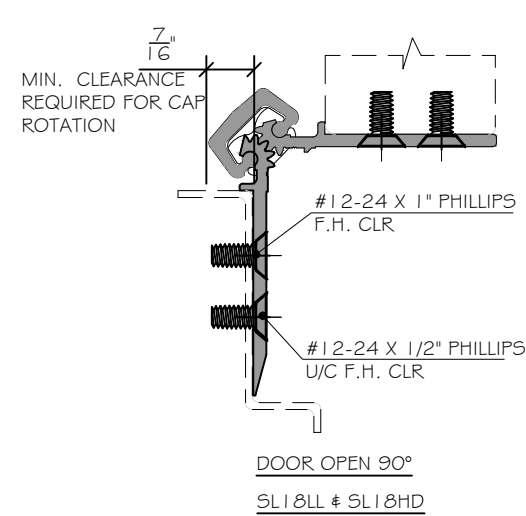
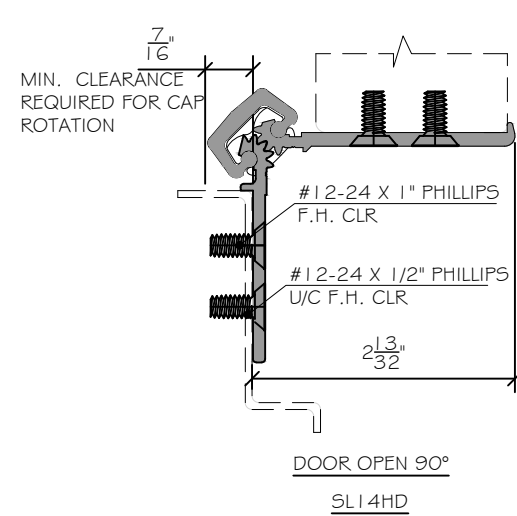
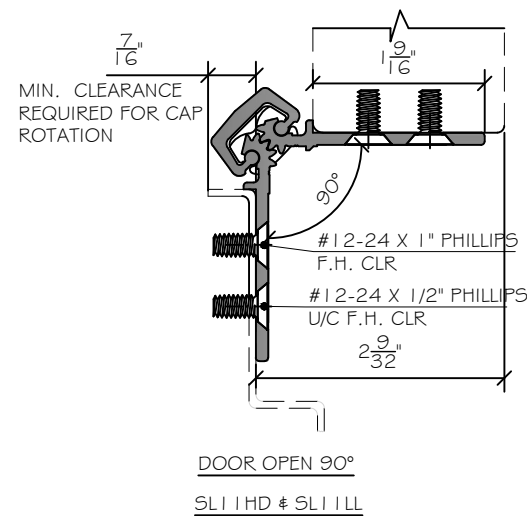
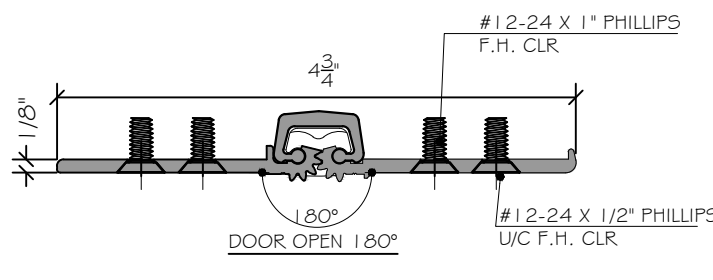
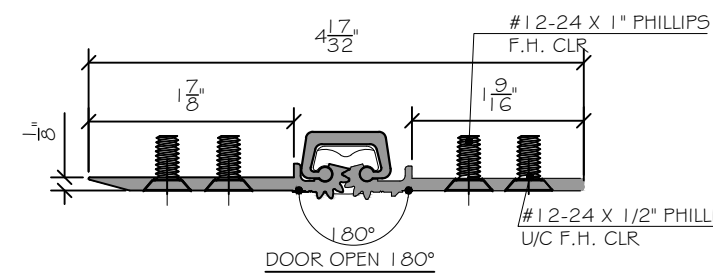
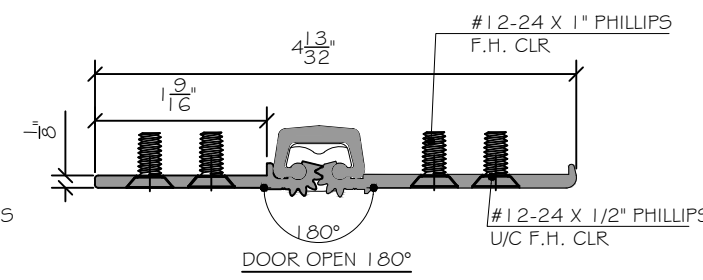
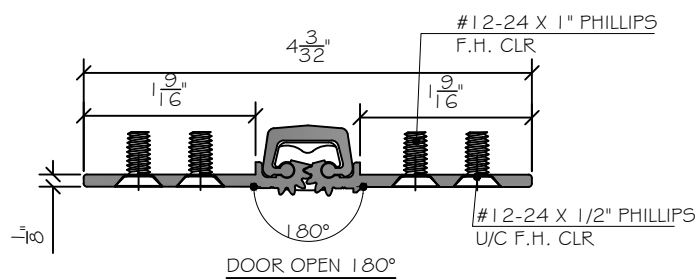
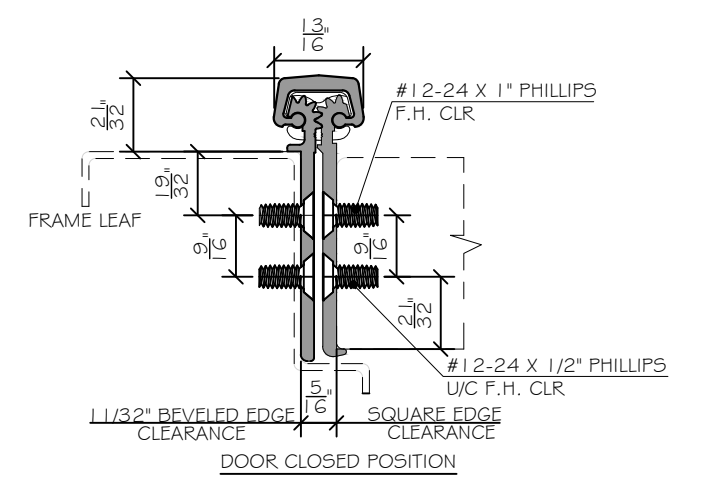
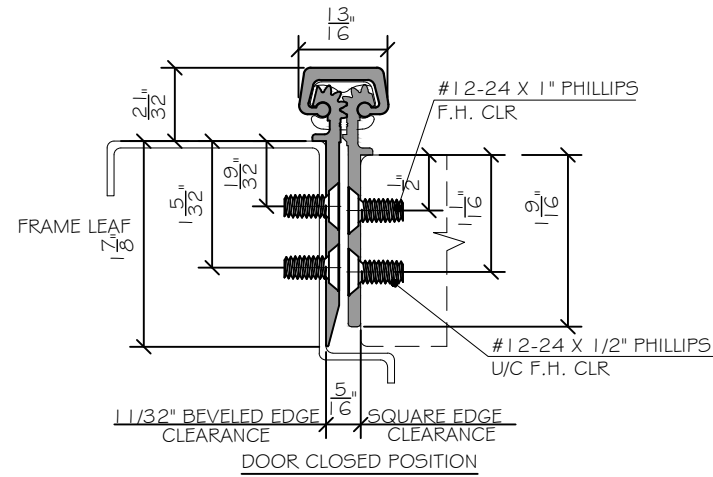
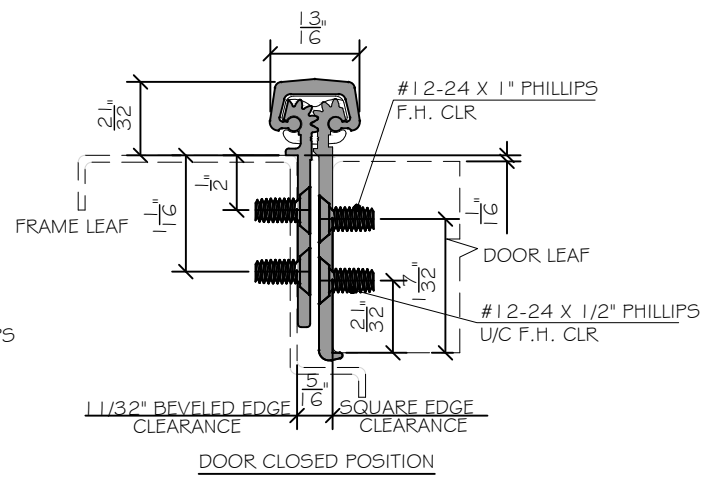
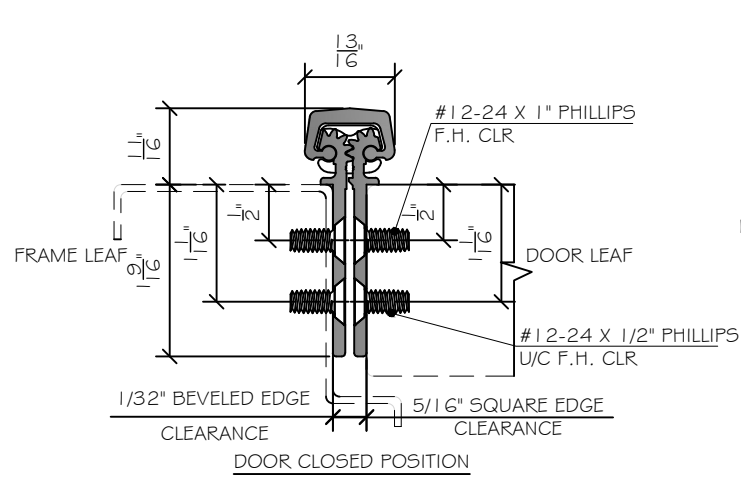
MCY

MCY ENGINEERING, INC.
GLAZING CONSULTANTS
12781 MIRAMAR PARKWAY #301
MIRAMAR, FL 33027
P: 305.271.0117
www.MCYEngineering.com mcy@mcyengineering.com

CONTINUOUS DOOR HINGE - LMI & SMI

SELECT HINGE
3258 STADIUM PARK WAY
KALAMAZOO, MI 49009
P: 800.423.1174

COVER	
DATE	12.18.21
SCALE	AS SHOWN
DRAWN	James
PROJECT	
DRAWING NO.	AD21-25
1 OF 2	



BILL OF MATERIALS

ITEM	PART	DESCRIPTION	MATERIAL	MANUFACTURER / REMARKS
1	SC-26	12-24 X 1/2" PHILLIPS U/C F.H. CLR	STEEL	-
2	SC-28	12-24 X 1" PHILLIPS F.H. CLR	STEEL	-
3	SL-11HD	SELECT PRODUCTS CONTINUOUS HINGE	ALUM. 6063-T6	SELECT PRODUCTS
4	SL-11LL	SELECT PRODUCTS CONTINUOUS HINGE	ALUM. 6063-T6	SELECT PRODUCTS
5	SL-14HD	SELECT PRODUCTS CONTINUOUS HINGE	ALUM. 6063-T6	SELECT PRODUCTS
6	SL-18HD	SELECT PRODUCTS CONTINUOUS HINGE	ALUM. 6063-T6	SELECT PRODUCTS
7	SL-18LL	SELECT PRODUCTS CONTINUOUS HINGE	ALUM. 6063-T6	SELECT PRODUCTS
8	SL-24HD	SELECT PRODUCTS CONTINUOUS HINGE	ALUM. 6063-T6	SELECT PRODUCTS
9	SL-24LL	SELECT PRODUCTS CONTINUOUS HINGE	ALUM. 6063-T6	SELECT PRODUCTS

FLORIDA APPROVAL:
FL#39785

YOUNG WANG P.L.L.C.
FLORIDA REGISTRATION
FL #55983
CA# 1652877

December 18, 2021

NO.	DATE	DESCRIPTION
1	9/26/21	NEW APPLY
2	12/18/21	REVISION

MCY ENGINEERING, INC.
GLAZING CONSULTANTS
12781 MIRAMAR PARKWAY #301
MIRAMAR, FL 33027
P: 305.271.0117
www.MCYEngineering.com mcy@mcyengineering.com

CONTINUOUS DOOR HINGE - LMI & SMI
SELECT HINGE
3258 STADIUM PARK WAY
KALAMAZOO, MI 49009
P: 800.423.1174

D1	
DATE	12.18.21
SCALE	AS SHOWN
DRAWN	James
PROJECT	
DRAWING NO. AD21-25	
2 OF 2	