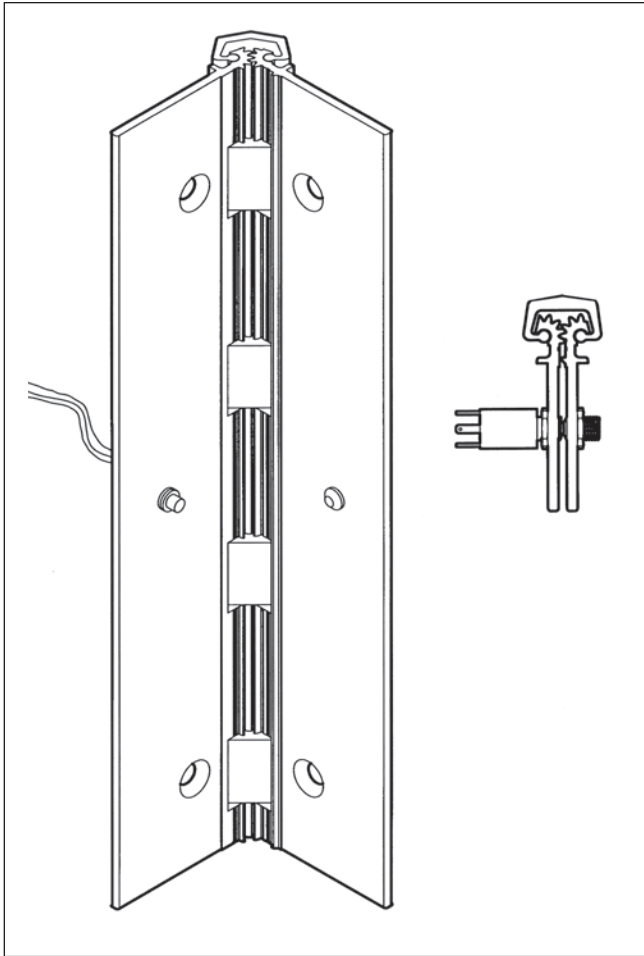


EMS (Exposed Electric Monitor Switch)


PREP: SELECT geared continuous hinges can be prepared for an exposed electric monitor switch to provide non-continuous current. 120V AC at 250MA 30W maximum.

LOCATION: Specify the dimension from the top of the hinge to the centerline of the EMS. Avoid putting the EMS within one inch of a fastener hole. Hinge is installed flush with the top of the door.

Refer to the templates in the Concealed Geared Hinge section to choose appropriate EMS location. These templates are also available online at www.SelectHinges.com.

HANDING: Specify the handing of each door requiring the EMS.

ORDER: Use suffix "EMS," plus the location and handing. Only one EMS is required per monitoring hinge.

Example: SL24 HD 83" Clear EMS 36" from top of hinge to centerline, RH.

AVAILABILITY: Available on geared hinge models SL11, SL12, SL14, SL18, SL24, SL26, SL27, SL31, SL38, SL40, SL41, SL44, SL48 and SL84.

LEAD TIME: 48 hours (on most orders).

WARRANTY: 5 years on electrical modification components.

IMPORTANT: SELECT Products Limited does not recommend preparing door and frame for EMS before receipt of hinge. If door and frame must be prepared before receipt of hinge, contact factory for special template.