

D

C

B

A

9

4

4

3

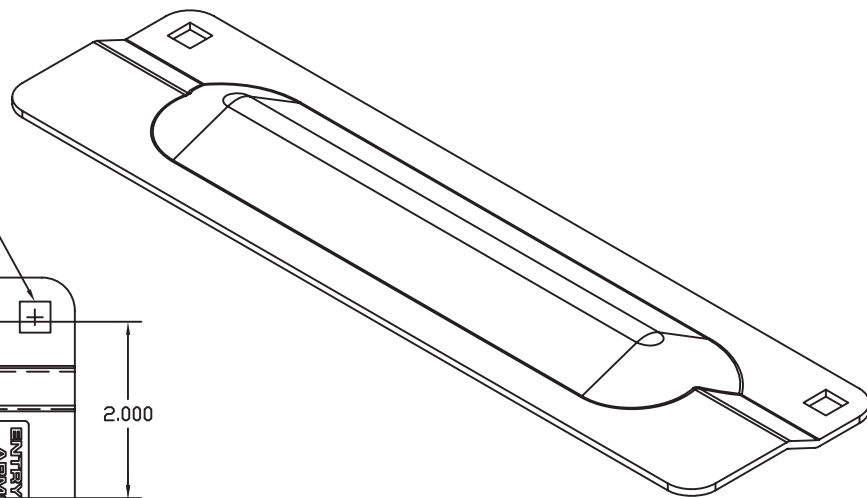
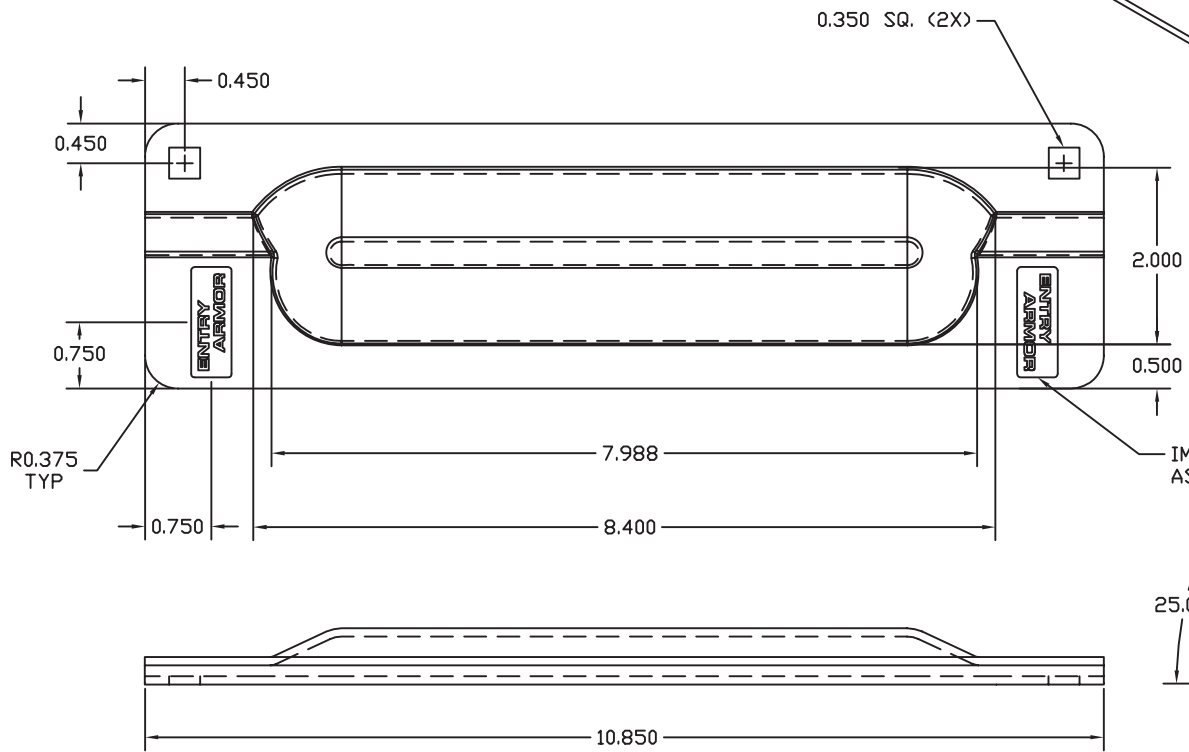
3

2

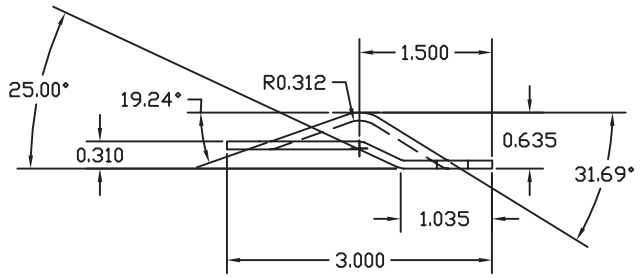
2

1

1



IMPRESSION STAMP PRODUCT LOGO
AS SHOWN (2X) NS 0.460 X 1.250



PRO-LOK®

655 North Hariton Street • Orange, CA • 92868
714.633.0681 / PRO-LOK.COM



Item: **ELP-250 Series**

D

C

B

A