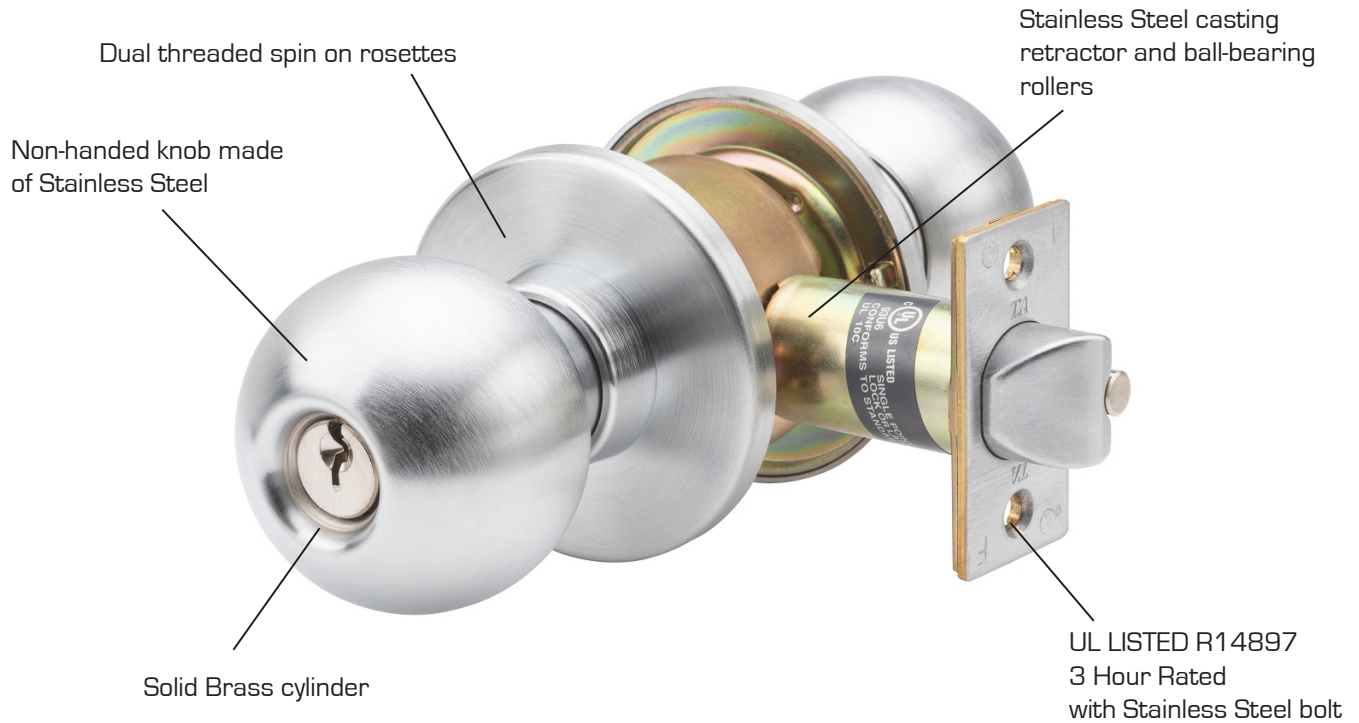


HEAVY DUTY COMMERCIAL CYLINDRICAL KNOB

The DL-HVB series cylindrical knobsets are designed for use on heavy duty Grade 1 commercial applications.



IC CORE OPTION
(core not included)

CODE COMPLIANCE



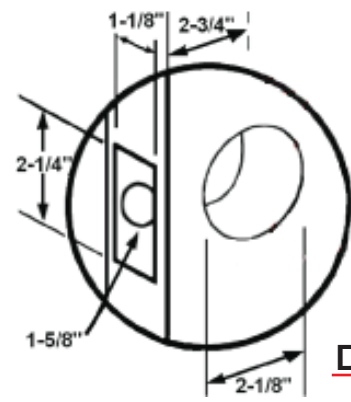
- ANSI A156.2 Grade1, UL10C and UBC 7.2 for positive pressure
- C-UBC California Uniform Builders Code-2001
- NFPA-80 National Fire Protection -1999
- NFPA-101 National Fire Protection - Life Safety-2000

FEATURES

- Certification: UL Listed R14897 ANSI A156.2 Grade 1
- Door Thickness: 1 3/4" - 2"
- Backset UL Listed: 2 3/4" face, 1 1/8" x 2 1/4"
- Cylinder: Schlage "C" keyway
- Keying: Schlage 6 pin keyed
- Key: 2 six pin Nickel Plated
- Functions: See Below
- Latch: 5/8" projection Stainless Steel 3 hour UL R14897
- Bore: 2 1/8" hole retrofits all cylindrical locksets
- Fits 161 Prep
- Strike: ANSI 1 1/4" x 4 7/8" strike
- Non-handed / reversible
- Warranty: Lifetime mechanical. 10 year finish.
- Finish: US32D

OPTIONS

- IC - Small format Figure 8 Interchangeable Core NOT included
- DL-DLUL238 - 2 3/8" backset, Deadlatch
- DL-SLUL238 - 2 3/8" backset, Springlatch
- DL-TA013 - 1-1/8" x 2-3/4" "T" Strike



DOOR PREP

CROSS REFERENCE

FUNCTION	TA	DORMA	HAGER	CAL-ROYAL	PDQ	SCHLAGE
PASSAGE	DL-HVB10	CL810	3410	GRB30	SX126	D10S
PRIVACY	DL-HVB40	CL840	3440	GRB20	SX176	D40S
ENTRANCE	DL-HVB53	CL853	3453	GRB00	SX116	D53PD
CLASSROOM	DL-HVB70	CL870	3470	GRB03	XS148	D70PD
STOREROOM	DL-HVB80	CL880	3480	GRB05	XS115	D80PD

ACCESSORIES



DL-DLUL238G1 2 3/8"
DL-DLUL234G1 2 3/4"
Backset Deadlatch



DL-TA013
1 1/4" x 2 3/4"
"T" Strike



DL-TA001
1 1/4" x 4 7/8"
ASA Strike



DL-SLUL238G1 2 3/8"
DL-SLUL234G1 2 3/4"
Backset Springlatch



DL-TA020
1 1/4" x 2 1/4"
Full Lip Strike



DL-DX161 FILLER COVER

- 2 3/8" filler plate
- Finishes: USP, US26D



KEYING OPTIONS

(additional charges may apply)

- 2 keys per cylinder
- KD: Keyed Different
- KA: Keyed Alike
- KA2: Keyed Alike; groups of 2
- KEYWAYS: SC6, AR5, KW1