

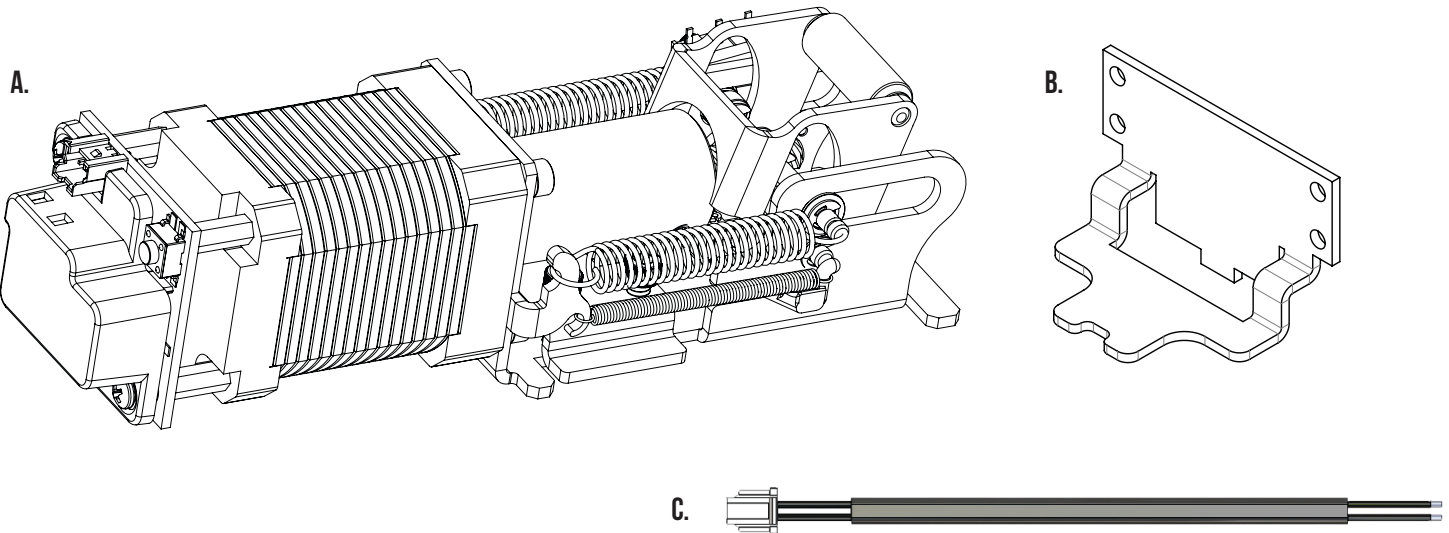
MLRK1-JAC12



INSERT INSTRUCTIONS

The Command Access MLRK1 is a field installable motorized latch-retraction kit for:

- MLRK1-JAC 12 - Jackson 1285, 1286 and 1295 series devices
- MLRK1-KAW17 - Kawneer 1686 and 1786 series devices
- MLRK1-AHT - AHT 8 and 9 series devices



KIT INCLUDES

- A. (1) 60140 MOTOR KIT ASSEMBLY
- B. (1) 50516 END CAP LINK
- C. (1) 50944 POWER HARNESS



INSTALLATION VIDEO

SPECIFICATIONS

- INPUT VOLTAGE: 24VDC +/- 10%
- AVERAGE LATCH RETRACTION CURRENT: 900 MA
- AVERAGE HOLDING CURRENT: 215 MA
- WIRE GAUGE: MINIMUM 18 GAUGE
- DIRECT WIRE RUN - NO RELAYS OR ACCESS CONTROL UNITS IN-BETWEEN POWER SUPPLY & MODULE

OPTIONAL BUILT-IN REX

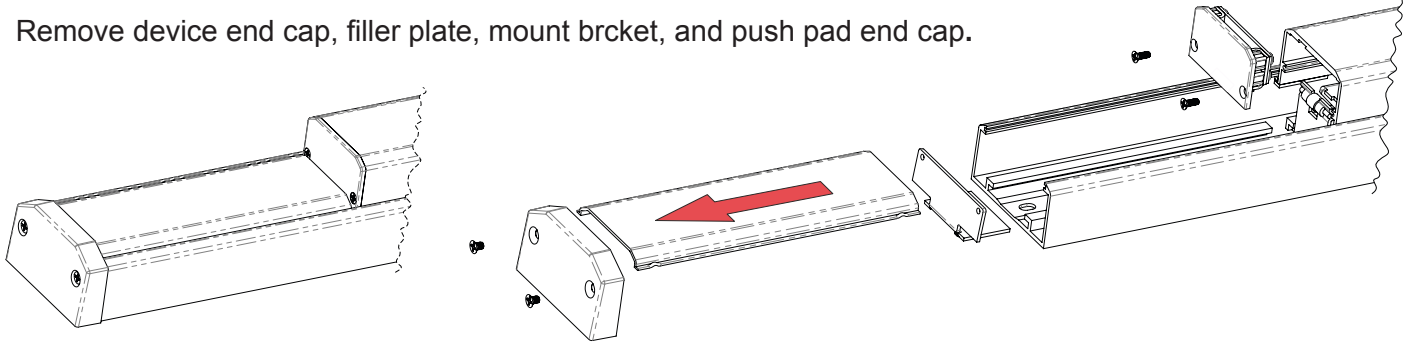
SPDT - RATED .5A @ 24VDC

- GREEN= COMMON (C)
- BLUE = NORMALLY OPEN (NO)
- GREY = NORMALLY CLOSED (NC)

RECOMMENDED POWER SUPPLIES: USE A POWER LIMITED CLASS 2 POWER SUPPLY

ALL COMMAND ACCESS EXIT DEVICES & FIELD INSTALLABLE KITS HAVE BEEN THOROUGHLY CYCLE TESTED WITH COMMAND ACCESS POWER SUPPLIES AT OUR FACTORY. IF YOU PLAN ON USING A NON-COMMAND POWER SUPPLY IT MUST BE A FILTERED & REGULATED LINEAR POWER SUPPLY.

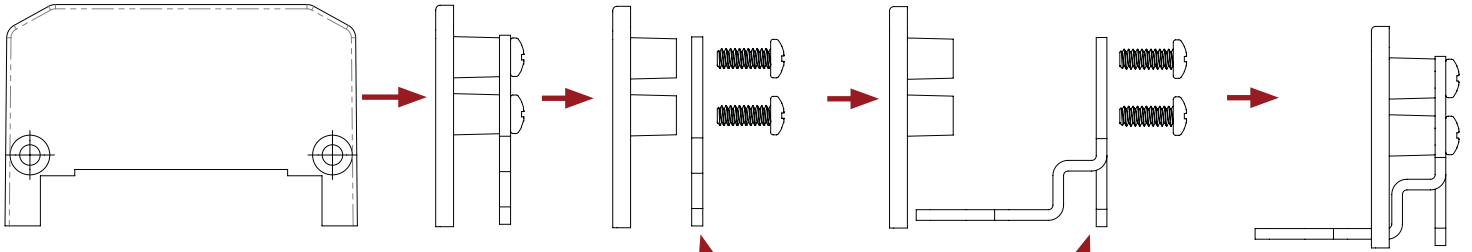
1. Remove device end cap, filler plate, mount bracket, and push pad end cap.



2a. Type 1 (Jackson Type)

Separate

Re-Assemble

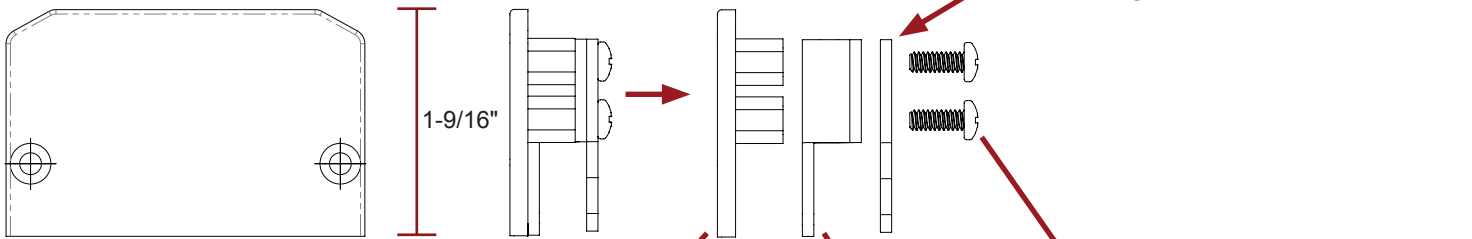


Replace guide plate with provided End Cap Link P# 50516

2b. Type 2 (AHT / Kawneer Type)

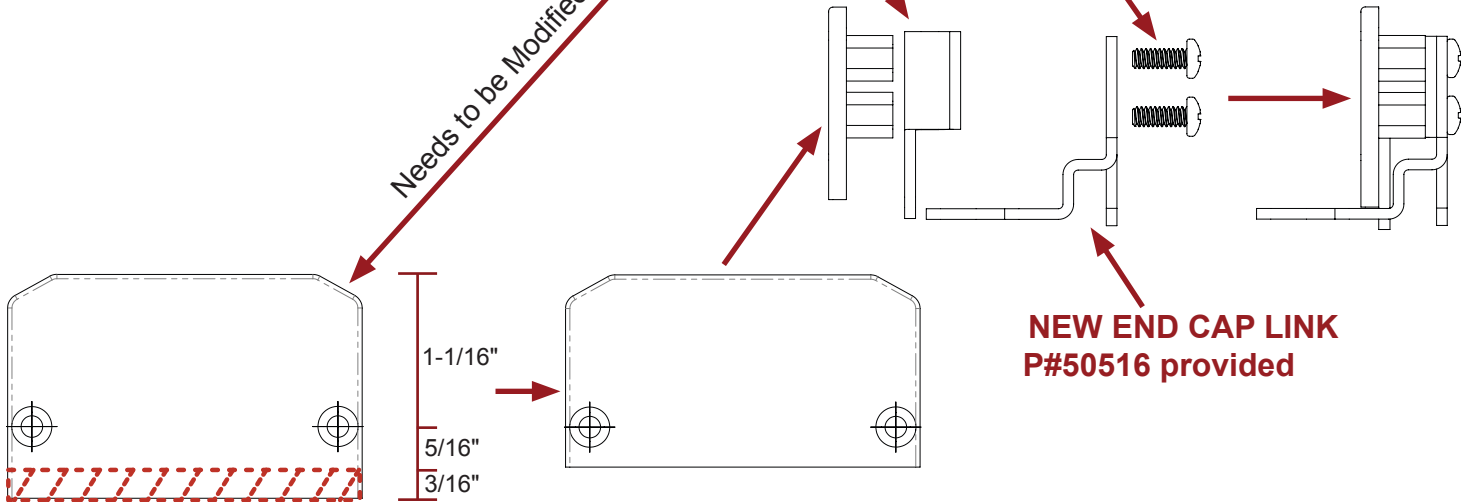
Separate

Discard Original Guide Plate



Needs to be Modified

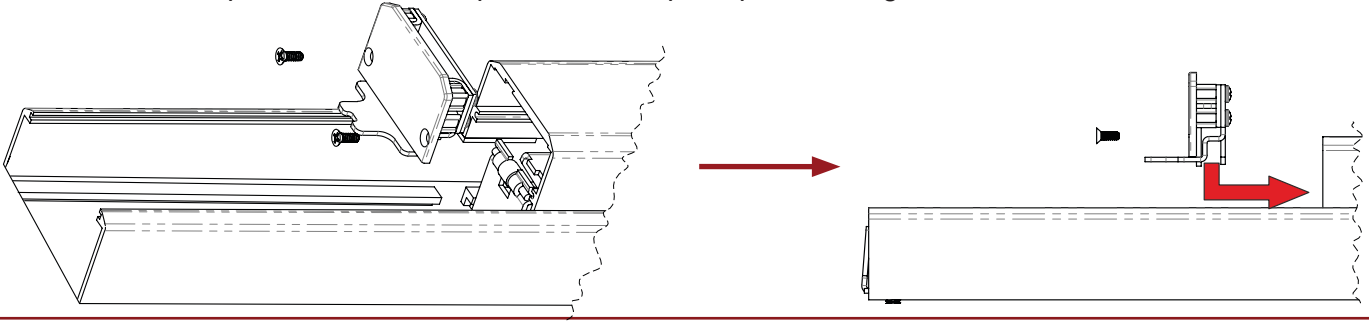
Re-Assemble



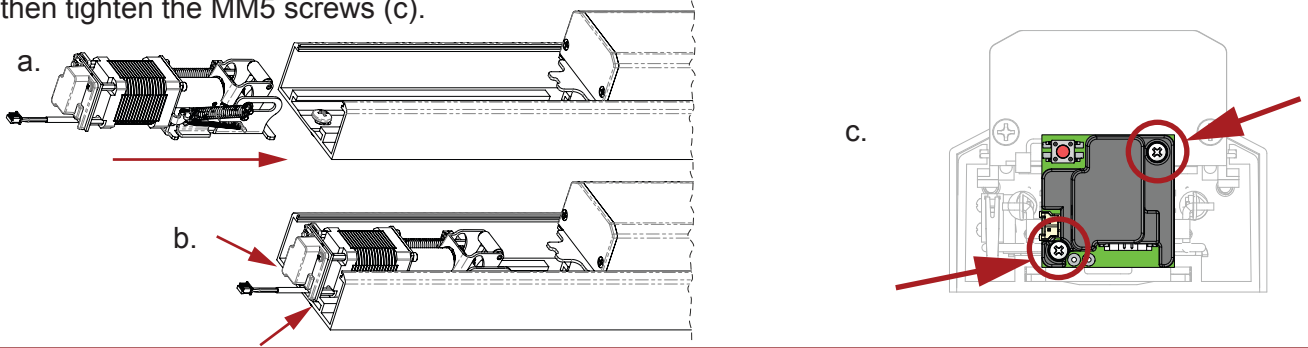
NEW END CAP LINK P#50516 provided

CUT 3/16" off the bottom

3. Re-install End Cap with New End Cap Link into the push pad housing.

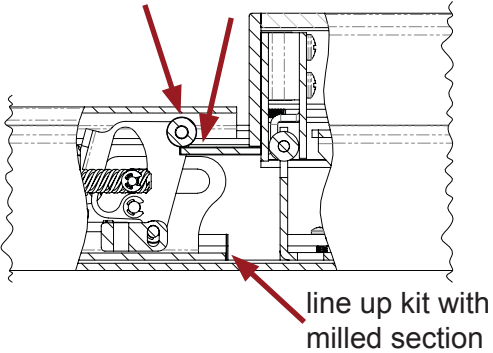


4. Slide motor assembly into the base rail channel (a). Due to extrusion inconsistencies, the tail end of the kit may contact the housing (b). In this event, loosen the two MM5 screws, slide the kit the rest of the way into place, then tighten the MM5 screws (c).

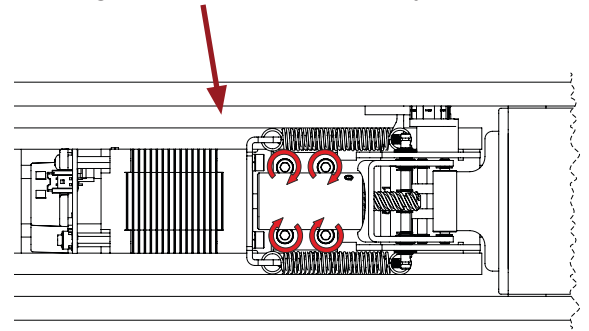


5. Verify that the End Cap Link is in the correct position (a) and tighten screws securely (b). Next, test function and adjust PTS location (c) per page 4 instructions. Once complete, install rear bracket, filler plate, and device end cap to finish the installation (d).

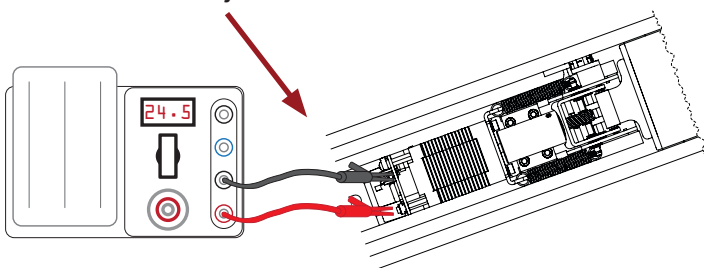
a. Make sure End Cap Link is underneath the roller on the front of the motor.



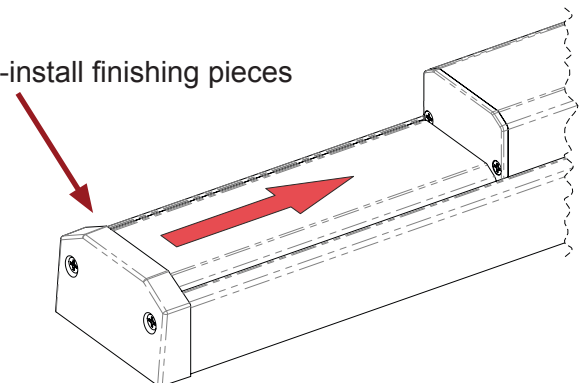
b. Tighten screws (4) securely.

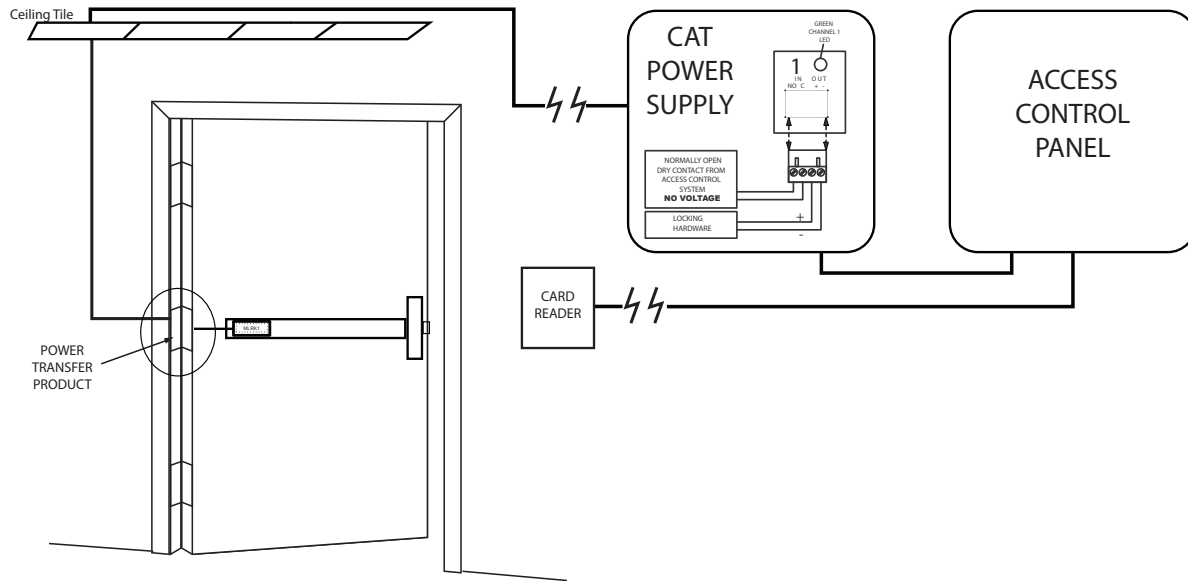


c. Test and adjust PTS



d. Re-install finishing pieces

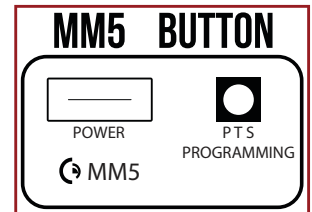




SETTING PUSH TO SET (PTS)

BEFORE FINISHING, BE SURE TO TEST FUNCTIONS AND RESET PTS, IF NEEDED

- STEP 1 -** To enter PTS mode: Depress MM5 button & apply power. The device will emit 1 SHORT beep. Continue to hold the button until power is removed.
- STEP 2 -** Depress and hold push pad 95% of full travel, then apply power (i.e. presenting the credential to the reader).
- STEP 3 -** Continue to keep push pad depressed, the device will emit 1 LONG Beep. After the beep stops and power has been removed, release the pad. The the adjustment is complete. Test the travel to verify that the push pad is 95% retracted* and the door is clear to open. If not to your liking repeat the 3 steps.



*100% retracted push pads could bind during expansion/contraction conditions. 95% is ideal.

TROUBLESHOOTING & DIAGNOSTICS

BEEPS	EXPLANATION	SOLUTION
2 BEEPS (NO MOTOR SPIN)	OVER VOLTAGE	> 30V UNIT WILL SHUT DOWN. CHECK VOLTAGE & ADJUST TO 24 V.
3 BEEPS (NO MOTOR SPIN)	UNDER VOLTAGE	< 20V UNIT WILL SHUT DOWN. CHECK VOLTAGE & ADJUST TO 24 V.
4 BEEPS (NO MOTOR SPIN)	FAILED SENSOR	VERIFY ALL 3 SENSOR WIRES ARE INSTALLED CORRECTLY. REPLACE SENSOR IF PROBLEM PERSISTS BY CONTACTING OFFICE.
5 BEEPS MOTOR SPINS FOLLOWED BY 1-5 BEEPS	RETRACTION OR DOGGING FAILURE	RESET PTS TO 95% OF FULL TRAVEL FOR HOLD OPEN CYCLES AFTER 1ST FAIL: 5 BEEPS THEN IMMEDIATELY ATTEMPTS TO RETRACT AGAIN. AFTER 2ND FAIL: 5 BEEPS WITH PAUSE IN-BETWEEN FOR 30 SECONDS THEN DEVICE ATTEMPTS TO RETRACT AGAIN. AFTER 3RD FAIL: 5 BEEPS EVERY 7 MINUTES, DEVICE WILL NOT ATTEMPT TO RETRACT. TO RESET DURING HOLD OPEN CYCLE, DEPRESS BAR FOR 5 SECONDS