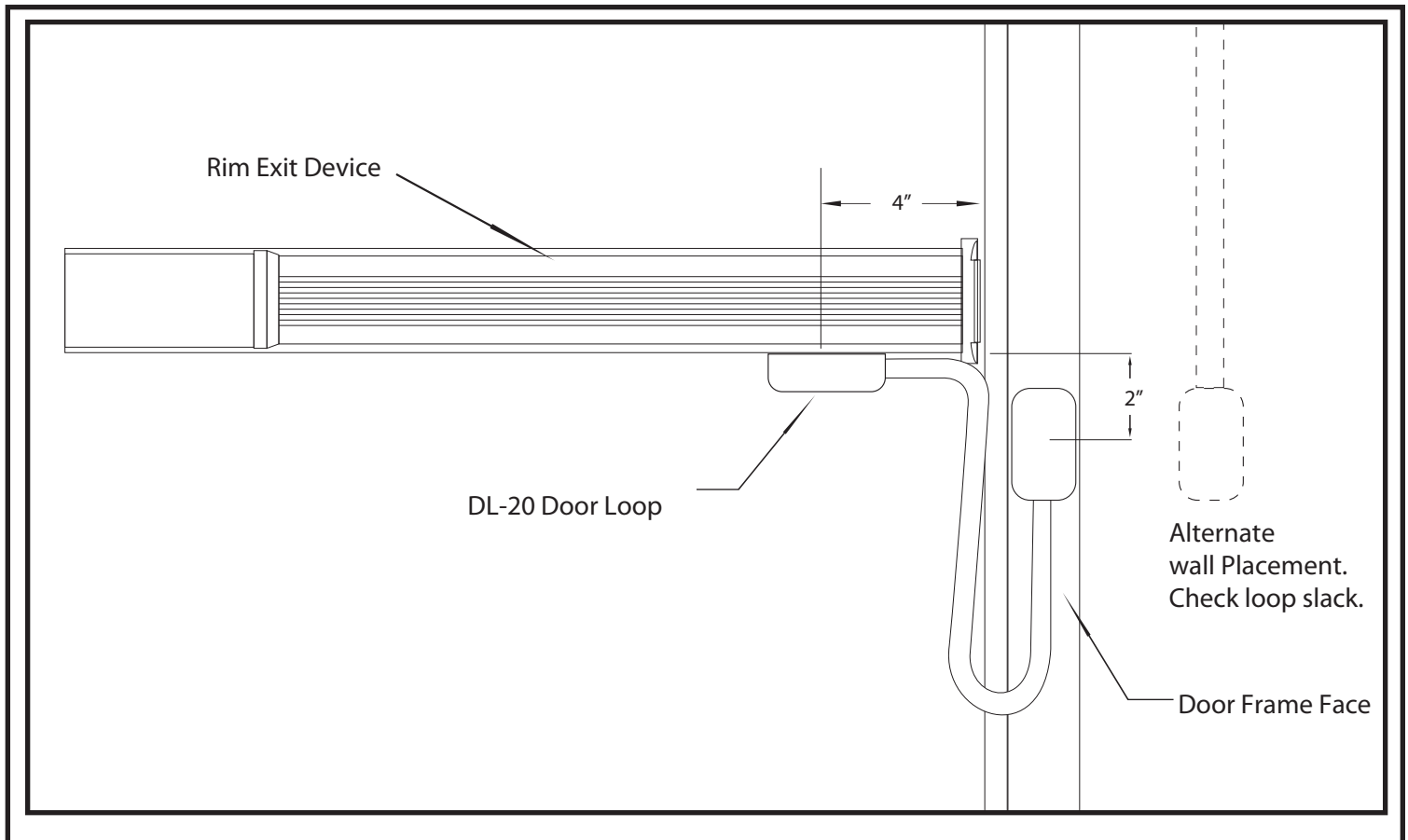


- 1- Locate the centerline of the door loop on the underside of the Exit Device Housing  
4" from soffit of frame and 1" from face of door
- 2- Locate the centerline of the door loop for the face of frame 2" down from the edge of the Exit Device
- 3- Drill pilot holes (#24 drill) to mount the base and a 5/8" hole for wire conduit.
- 4- Mount base using #10 SMS.
- 5- Thread electrical wires through door loop.
- 6- Install covers with #8 SMS screws

NOTES: Maximum electrical wires: 7 ea. 18 awg, 10 ea. 22 awg  
 Door Loop flexible conduit can be field cut



## Door Loop Base Dimensions

